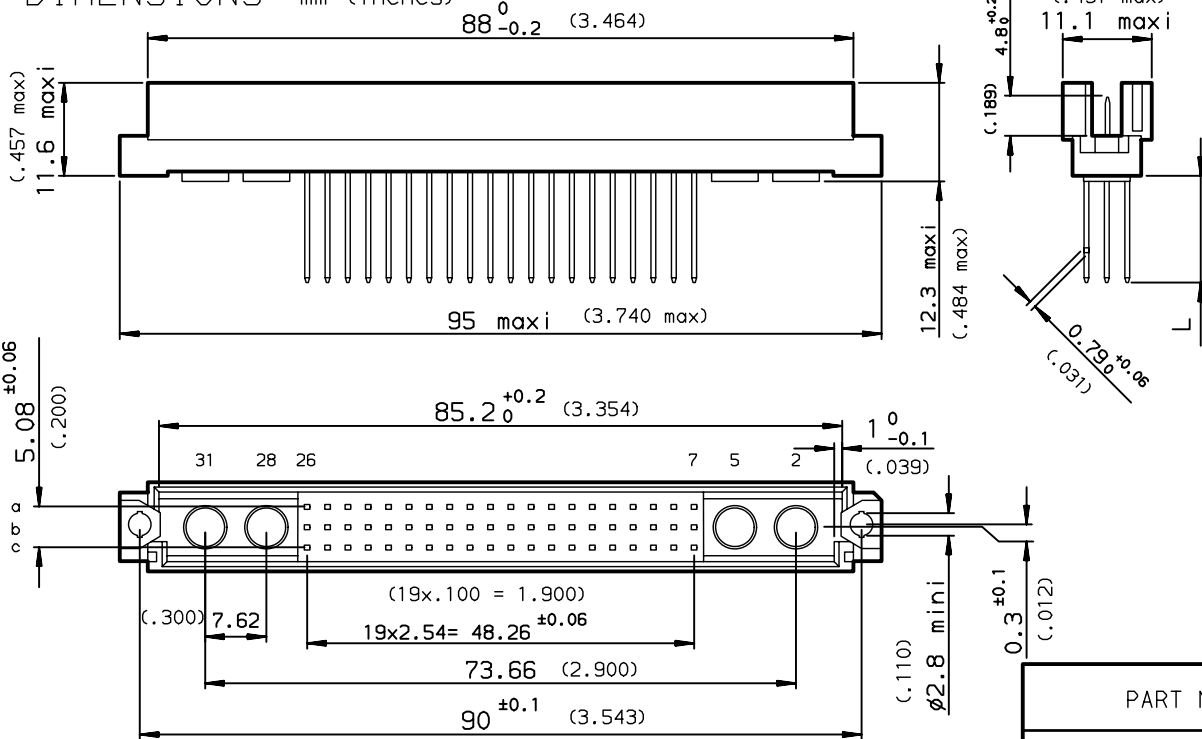


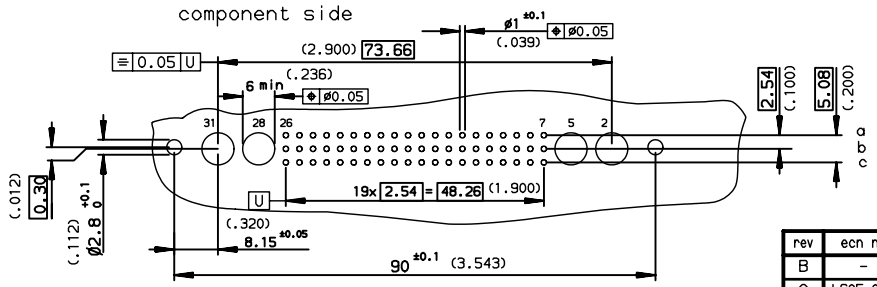
DIMENSIONS mm (inches)



GENERAL CHARACTERISTICS AND ROHS INFORMATIONS:
SEE DRAWING C-8609-0000B

PART NUMBER	8609			C8		7		5	
PIN OUT									
rows a-b-c				3				60	
rows a-c				4				40	
NUMBER OF CONTACTS									
TERMINATION									
L = 13.3 ±0.25 (.523)				WW				15	
L = 17.95 ±0.25 (.706)				WW				25	
PERFORMANCE CLASS									
DIN 41612 class 3									4
DIN 41612 class 2									5
DIN 41612 class 1									6
TERMINATION TYPE									
TIN LEAD									000E1
LEAD FREE									E1LF

PCB DRILLING



rev	ecn no	dr	date
B	-	JTA	1996/02/22
C	LS05-008	JTA	2005/03/17
D	LS06-0095	LGO	2006/06/16
-	-	-	-
-	-	-	-
-	-	-	-

www.fciconnect.com		surface	tolerance std	projection	mm	
		ISO 1302	ISO 406 ISO 1101			
TOLERANCES UNLESS OTHERWISE SPECIFIED						
Dr	ROUILLARD	1992/09/21	0.X	±0.1	size	Scale
Eng	TARON	1992/09/21	0.XX	±0.1	A3	1.5
Chr	LEGARE	1992/09/21	0.XX' ±2'	0.XXX	±0.1	ECN
Appr	LEGARE	1992/09/21	Product family	DIN 8609	Spec ref	LS06-0095
FCI		STRAIGHT MALE WITH SPECIAL CONTACTS			dwg no	Rev.
		WIRE WRAP			C-8609-0320	D
catalog no		-			CUSTOMER	sheet 1 of 1

European Views

Copyright FCI.