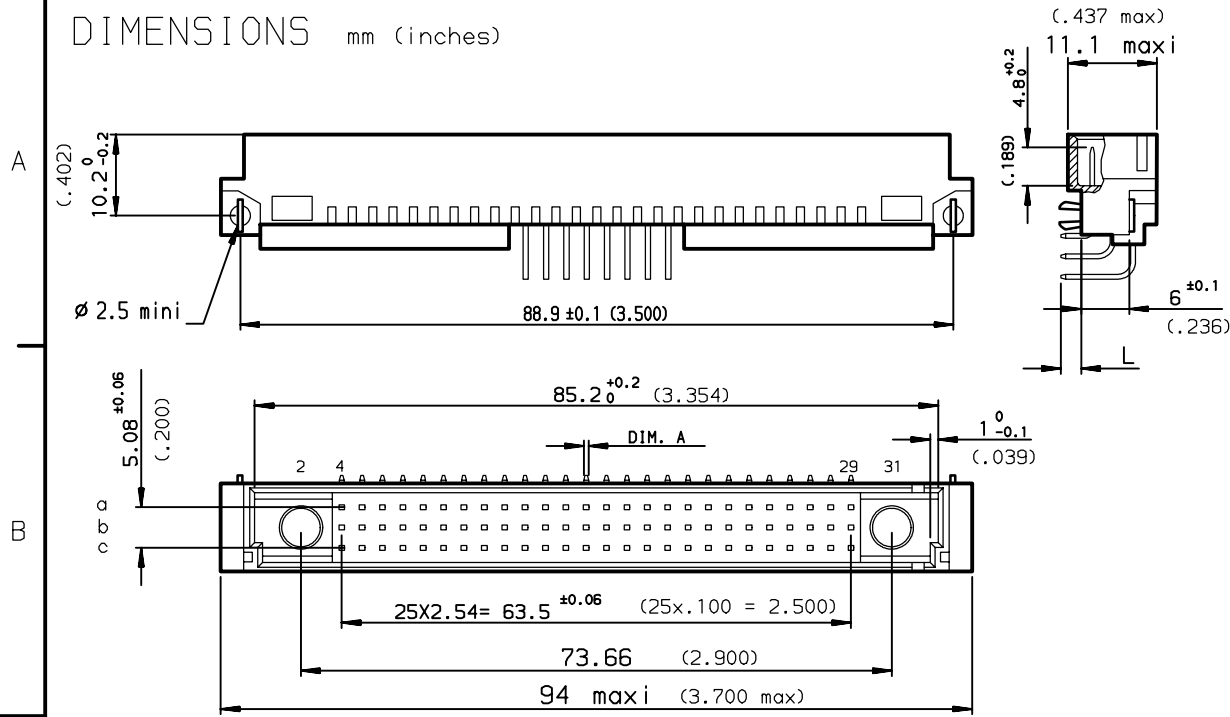


DIMENSIONS mm (inches)



GENERAL CHARACTERISTICS AND ROHS INFORMATIONS:  
SEE DRAWING C-8609-0000A

TIN LEAD	LEAD FREE	
8609 378 A1 13 755 000 E1	8609 378 A1 13 755 E1 LF	Style M header, 78 Position, solder to board, class 2

Application specific part-numbers: See sheet 2

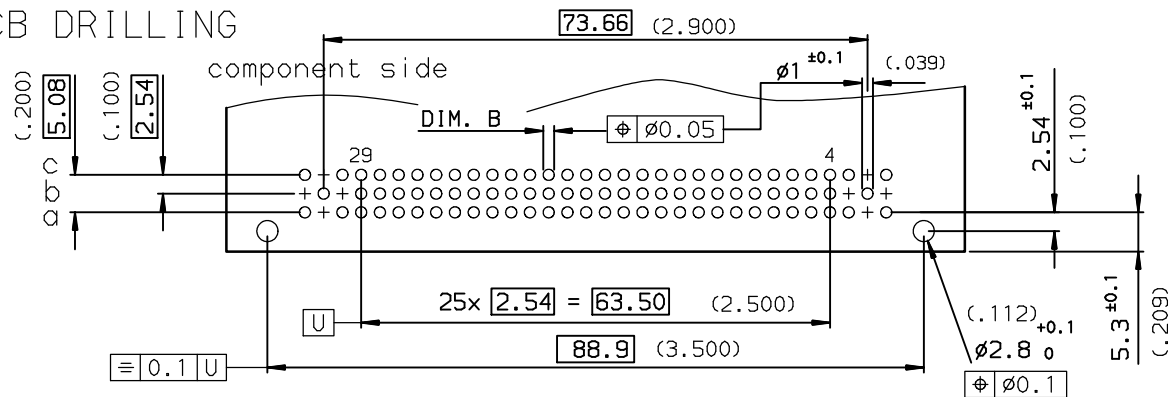
European Views

www.fciconnect.com		surface ISO 1302 <input checked="" type="checkbox"/>	tolerance std ISO 406 ISO 1101	projection 	mm 
TOLERANCES UNLESS OTHERWISE SPECIFIED					
Dr	ROUILLARD	1992/09/16	ANGULAR	0.X ± 0.1	size A3
Eng	TARON	1992/09/16	LINEAR	0.XX ± 0.1	Scale 1.5
Chr	LEGARE	1992/09/16	0.XX' ± 2'	0.XXX ± 0.1	ECN L506-0097
Appr	LEGARE	1992/09/16	Product family	DIN 8609	Spec ref -
rev	ecn no	dr	date		
E	-	ROU	2002/08/30		
F	L505-001	JTA	2005/03/04		
G	L506-0097	LGO	2006/07/11		
-	-	-	-		
-	-	-	-		
-	-	-	-		
-	-	-	-		

	RIGHT ANGLE HEADER - STYLE M	Rev. G
	SOLDER TO BOARD	dwg no C-8609-0309-1
catalog no -	CUSTOMER	sheet 1 of 1

PART NUMBER	8609	A1	5
PIN OUT rows a-b-c	3	78	
rows a-c	4	52	
NUMBER OF CONTACTS			
TERMINATION			
L = 2.75 ±0.15 (.108)	A = ∅0.6 <sup>0</sup> <sub>-0.08</sub>	B = ∅0.8 <sup>0</sup> <sub>+0.3</sub>	13
L = 4.15 ±0.15 (.163)	A = 0.6X0.6	B = ∅1±0.1	23
no option			7
with harpoons		for PCB thickness 1.6 mm	H
DIN 41612 class 3			4
DIN 41612 class 2			
DIN 41612 class 1			
TERMINATION TYPE			
TIN LEAD			: 000E1
LEAD FREE			: E1LF

PCB DRILLING



GENERAL CHARACTERISTICS AND ROHS INFORMATIONS:

SEE DRAWING C-8609-0000A

European Views

www.fciconnect.com		surface ISO 1302 ✓	tolerance std ISO 406 ISO 1101	projection mm
TOLERANCES UNLESS OTHERWISE SPECIFIED				
Dr	ROUILLARD	1992/09/16	0.x ±0.1	size A3
Eng	TARON	1992/09/16	0.xx ±0.1	Scale 1.5
Chr	LEGARE	1992/09/16	0.xxx ±0.1	ECN LS06-0097
Appr	LEGARE	1992/09/16	Product family	DIN 8609 Spec ref -
FCI		title RIGHT ANGLE HEADER - STYLE M		Rev. G
catalog no		-		C-8609-0309-2
				CUSTOMER sheet 1 of 1

rev	ecn no	dr	date
E	-	ROU	2002/08/30
F	LS05-001	JTA	2005/03/04
G	LS06-0097	LGO	2006/07/11
-	-	-	-
-	-	-	-
-	-	-	-
-	-	-	-