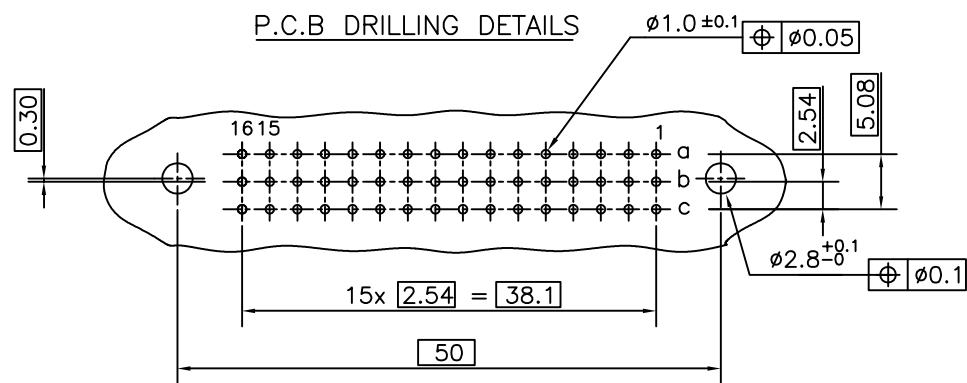
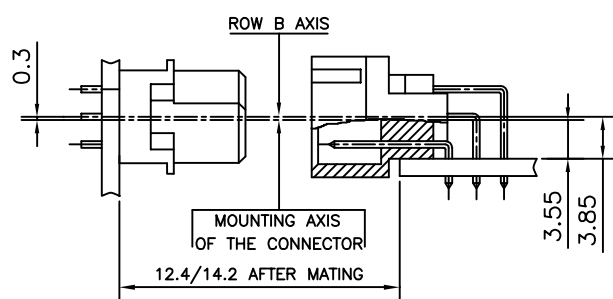


P.C.B DRILLING DETAILS



24	2.5
14	4.0
TERM. STYLE	L <sup>+0.7</sup> <sub>-0</sub>



TECHNICAL SPECIFICATION

HOUSING MATERIAL : THERMOPLASTIC POLYESTER UL94V-0, GREY  
 HOUSING CAN WITHSTAND EXPOSURE TO LEAD FREE WAVE SOLDERING TEMPERATURE OF 260-265°C FOR STRAIGHT CONNECTORS AS IT IS IN CLASSICAL LEAD WAVE SOLDERING AT 235-250°C

CONTACT / HARPOON MATERIAL : COPPER ALLOY  
 CONTACT PLATING : GOLD OVER NICKEL  
 ACTIVE ZONE : GOLD OVER NICKEL  
 TERMINATION ZONE : GOLD OVER NICKEL  
 TIN LEAD VERSION : TIN LEAD OVER NICKEL  
 LEAD FREE VERSION : TIN (PURE MATTE) OVER NI  
 HARPOON PLATING : TIN LEAD OVER NICKEL  
 TIN LEAD VERSION : TIN LEAD OVER NICKEL  
 LEAD FREE VERSION : TIN (PURE MATTE) OVER NI

ELECTRICAL DATA  
 CURRENT RATING AT 20°C : 1.5 A  
 CURRENT (I MAX) : 2 A  
 TEMPERATURE RANGE : -55°C/+125°C  
 CONTACT RESISTANCE : ≤ 20mΩ  
 INSULATION RESISTANCE : ≥ 10<sup>6</sup> MΩ  
 TEST VOLTAGE (rms) : 1000V

MECHANICAL DATA  
 INSERTION FORCE PER CONTACT : ≤ 0.94N  
 EXTRACTION FORCE PER CONTACT : ≥ 0.15N

REFERENCE SPECIFICATIONS : DIN 41612 / IEC 603-2

SERIES	8609	3	48	8	3	14	7	5	5	000E1
ROWS FITTED WITH CONTACTS										
Rows a b c	3			48						
Rows a - c	4				32					
NUMBER OF CONTACTS										
TYPE OF INSULATOR	8									
3 ROW FEMALE INSULATOR										
METHOD OF MOUNTING										
STANDARD MOUNTING - STYLE C/2	3									
TERMINATION										
LONG STRAIGHT SPILL (L - SEE TABLE)	14									
SHORT STRAIGHT SPILL (L - SEE TABLE)	24									
OPTIONS										
NO OPTION	7									
WITH HARPOONS	H									
PERFORMANCE CLASS										
DIN 41612 CLASS 3	4									
DIN 41612 CLASS 2	5									
DIN 41612 CLASS 1	6									
AS PER MIL C 55302/ JSS 50808	8									
PITCH PER ROW										
2.54	5									
000E1	TIN LEAD VERSION									
E1LF	LEAD FREE VERSION									

mat'l. code		surface		tolerance		projection		product family	
-		ISO 1302		ISO 406 ISO 1101				8609	
ltr		ecn no		dr		date		title	
A		I04-0100		MINI		09/11/2004		DIN STANDARD RECEPTACLE	
B		I05-0042		MINI		19/05/2005		STRAIGHT SPILL DIN 41612 STYLE-C/2	
C		I06-0062		MINI		01/06/2006			
				dr		MINI K VANDANATH 22/09/2004		dwg no	
				engr		RAKHEE GEORGE 22/09/2004		sheet 1 of 1	
				chr		RAKHEE GEORGE 01/06/2006		size	
				appd		RAKHEE GEORGE 01/06/2006		A3	
sheet index		revision		C				type	
		sheet		1				Product Customer Drawing	

NOTES:-  
 1. THE "LF" PRODUCTS MEET EUROPEAN UNION DIRECTIVES AND OTHER COUNTRY REGULATIONS AS DESCRIBED IN GS-22-008  
 2. THE HOUSING WILL WITHSTAND EXPOSURE TO 260°C PEAK TEMPERATURE FOR 3.5 SECONDS IN A WAVE SOLDER APPLICATION WITH A 1.6 MM MINIMUM THICK CIRCUIT BOARD  
 3. LEAD FREE OR RoHS DIRECTIVE LABELING TO BE PROVIDED AS PER GS-14-920 FOR LEAD FREE VERSION.



Copyright FCI