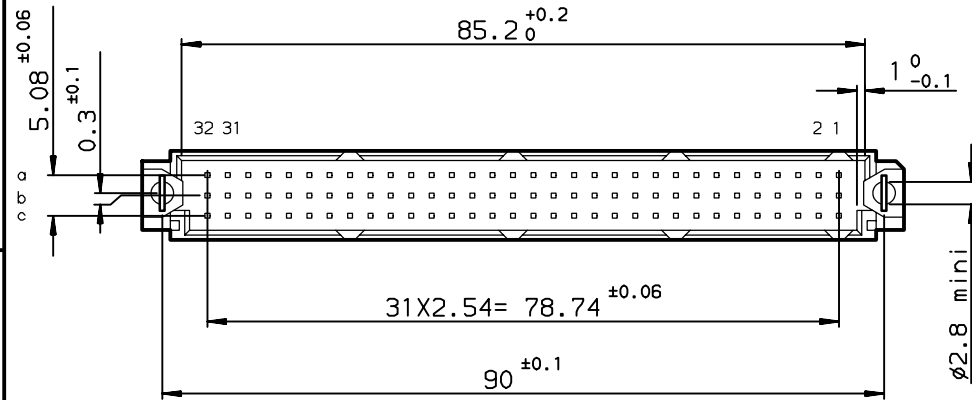
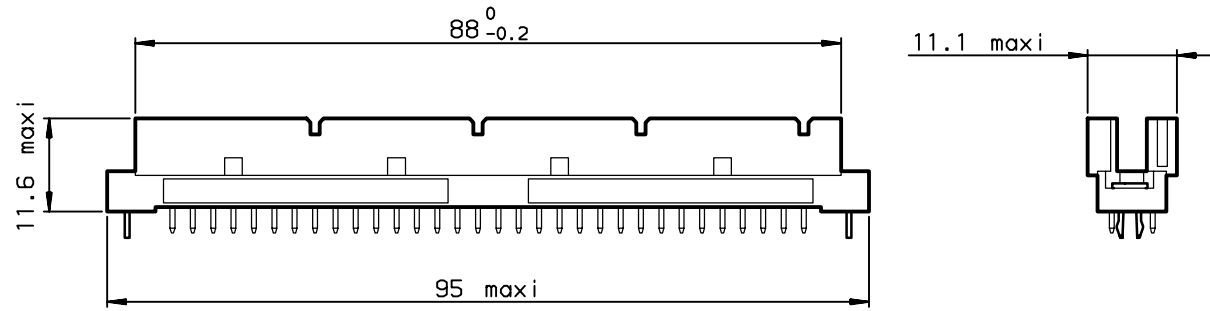
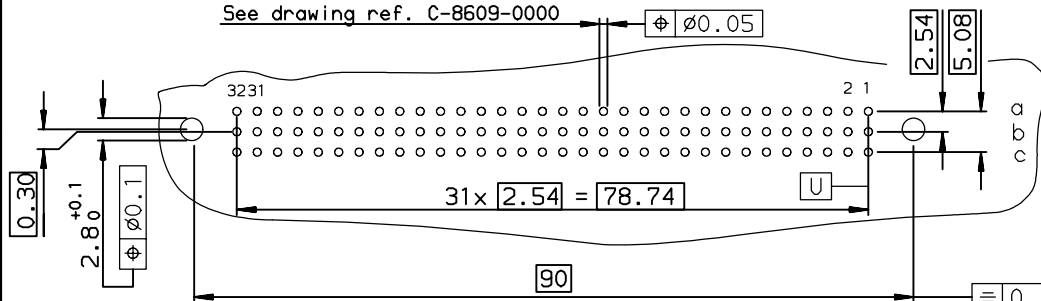


DIMENSIONS



P.C. CARD DRILLING (Component side view)

See drawing ref. C-8609-0000



rev	ecn no	dr	date
A	-	-	2001/01/30
B	L505-001	JTA	2005/03/03
C	L506-0095	LGO	2006/06/26
-	-	-	-
-	-	-	-
-	-	-	-

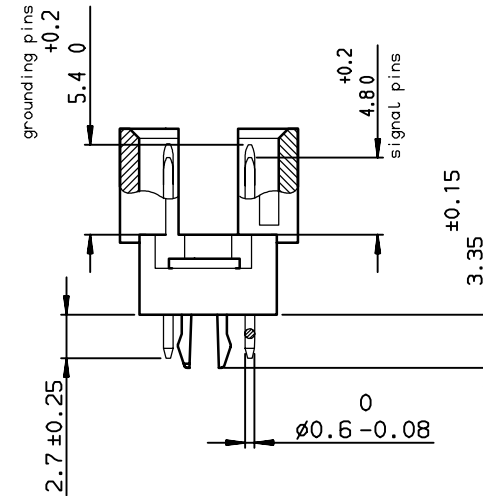
TIN LEAD PART NUMBER

PART NUMBER
86094647824H55113E1

LEAD FREE PART NUMBER

PART NUMBER
86094647824H55AELF

TERMINATION



SPECIFICATION 113 = 8 grounding pins in position :
or SPECIFICATION AE= row : a-c cavity : 1-2-31-32

GENERAL CHARACTERISTICS AND ROHS INFORMATIONS:

SEE DRAWING C-8609-0000A

European Views

www.fciconnect.com		surface ISO 1302 ✓	tolerance std ISO 406 ISO 1101	projection mm	size A3	Scale 1.5
TOLERANCES UNLESS OTHERWISE SPECIFIED						
Dr	ROUILLARD	2001/01/30	0.X	±0.1	ECN	L506-0095
Eng	TARON	2001/01/30	ANGULAR	0.XX	±0.1	Spec ref -
Chr	LEGARE	2001/01/30	0.XX' ±2'	0.XXX	±0.1	
Appr	LEGARE	2001/01/30	Product family		DIN 8609	
Title		REVERSE MALE 3 ROW		dwg no		C-8609-0878
64 CONTACTS		catalog no		CUSTOMER		sheet 1 of 1



Copyright FCI.