



PLATING ACTIVE ZONE			CHARACTERISTICS					
500 mating/unmating Ni: $2\mu\text{m}_0^{+2\mu\text{m}}$ Au: $1.27\mu\text{m min}$	500 mating/unmating Cu : flash Ni P : $2\mu\text{m}_0^{+2\mu\text{m}}$ Au: $0.2\mu\text{m min}$ (equivalent $0.8\mu\text{m Au}$ )	200 mating/unmating Cu : flash Ni P : $2\mu\text{m}_0^{+2\mu\text{m}}$ Au: $0.15\mu\text{m min}$ (equivalent $0.4\mu\text{m Au}$ )	CURRENT max A	AWG WIRE	mm <sup>2</sup> AREA	$\varnothing A^{+0.1}_0$	$\varnothing B \pm 0.1$	Clip colour
8638PSS4007LF	8638PSS4006LF	-----	40	8	8.35	4.40	5.50	BLUE
8638PSS2007LF	8638PSS2006LF	-----	20	12	3.31	2.80	3.65	RED
8638PSS1507LF	8638PSS1506LF	8638PSS1505LF	15	14	2.08	2.10	3.00	WHITE
8638PSS1007LF	8638PSS1006LF	-----	10	16	1.31	1.70	2.60	BLACK

**NOTE: RoHS INFORMATIONS**

- The "LF" products meet European union Directives and regulations as described in GS-22-008
- Termination plating spec: Sn pure matte
- Packaging spec: see GS-14-920

Materials and finish

Active zone: CuZn40 Pb3. Plating: See table  
 Termination zone (soldering sleeve): CuZn40Pb3  
 Plating  $2\mu\text{m}_0^{+2\mu\text{m}}$  Cu  $3\mu\text{m}_0^{+3\mu\text{m}}$  Tin pure matte  
 Clip : Thermoset plastic

Technical characteristics

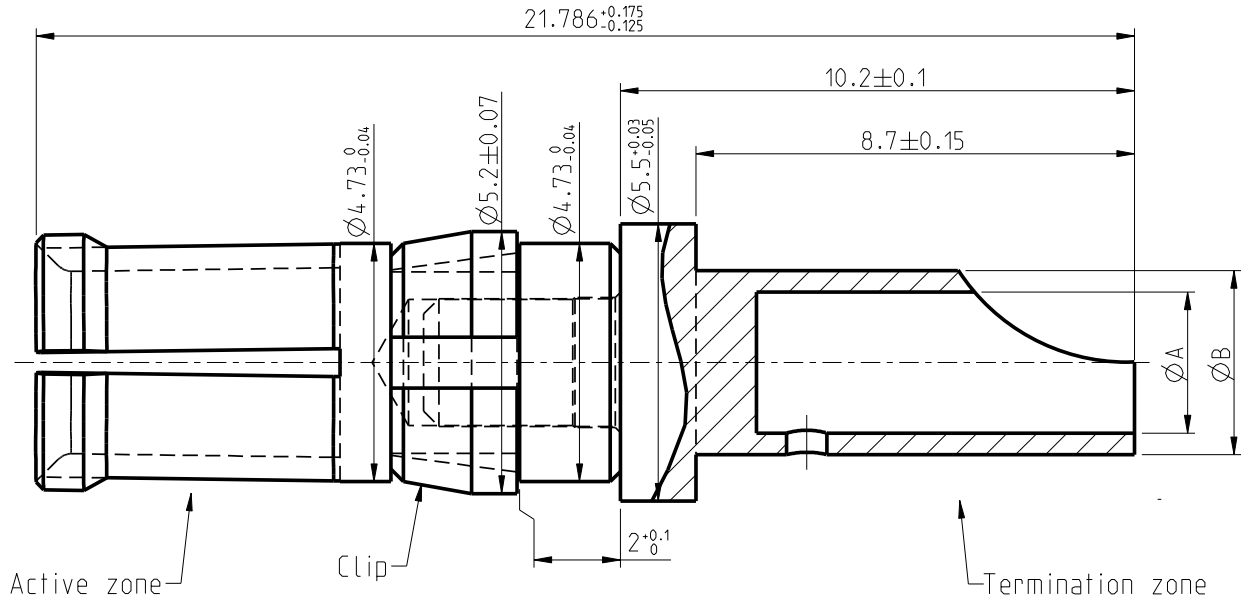
Peak voltage: 750 Veff.  
 Operating voltage: 500 Veff.  
 Temperature range  $-55^\circ\text{C} +125^\circ\text{C}$   
 Packaged per 100  
 Current capability : see table

Mechanical characteristics :

Mechanical endurance: 200 or 500 matings/unmatings (see table).  
 Contact insertion force in insulator:  
 60N maxi in a hole of 4.80 mm

Examination of product:

Remove all burrs and sharp edges 0.08 maxi  
 No scratch allowed



Mark with /		Material SEE NOTES		Spec ref	
		Mat code -		surface -	
		Heatreat -		tolerance <input checked="" type="checkbox"/> ISO 405	
		Plating/Finish SEE TABLE + NOTES		ISO 1302 ISO 1101	
		Dr JARRY 1994/12/13		projection <input type="checkbox"/> <input type="checkbox"/> <input type="checkbox"/> mm	
		Eng JARRY 1994/12/13		size A3 Scale 10:1	
		Chr LEGARE 1994/12/13		Model Name 8638PSS200XLF ECN F10-0031	
		Appr LEGARE 1994/12/13		Model Revision 1 REL Level	
		FCI title FEMALE POWER CONTACT FOR SOLDERED CONNECTION		dwg no C01-8638-0348 Rev. F	
		Pro/E file catalog no -		Customer sheet 1 of 1	