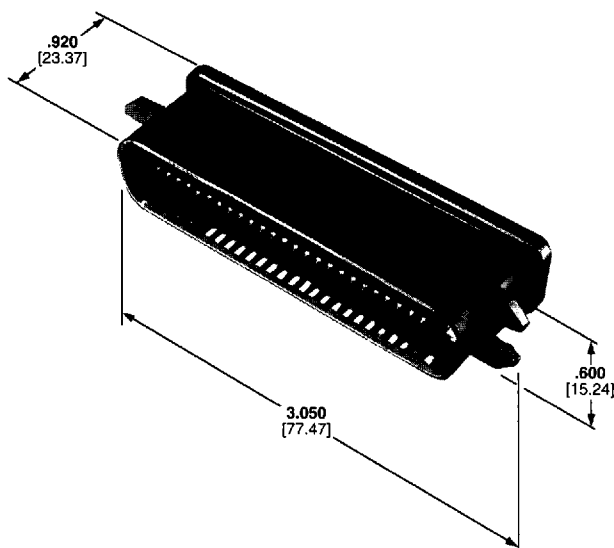
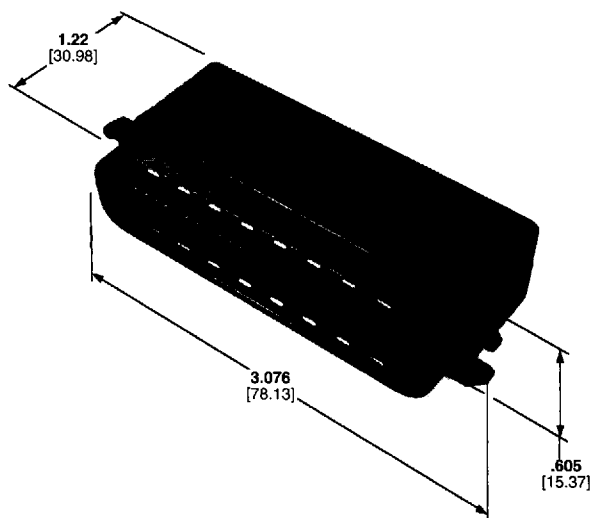


## AMP Terminators for SCSI-1, -2 Low Density Narrow

Die-Cast Connector



Post Molded Connector



### CHAMP Terminators, Shielded, Plugs

#### Material and Finish:

##### Die-Cast Terminator—

**Shell and Cap**—Zinc alloy, nickel plated

**Insulator**—UL 94V-0 rated thermoplastic, black

##### Post Molded Terminator—

**Housing**—Polyphenylene, black

**Shield**—Steel, plated bright nickel  
**Post Molding Compound**—PVC, black

**Contacts**—Phosphor bronze, duplex plated .000030 [0.00076] min. gold in mating area, over .000050 [0.00127] min. nickel underplating

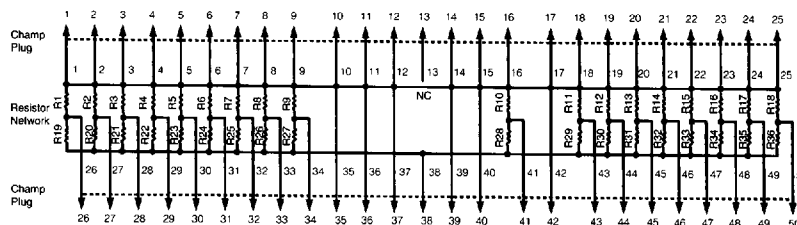
**Resistors**—Thick film resistor composition on alumina substrate

#### Product Data:

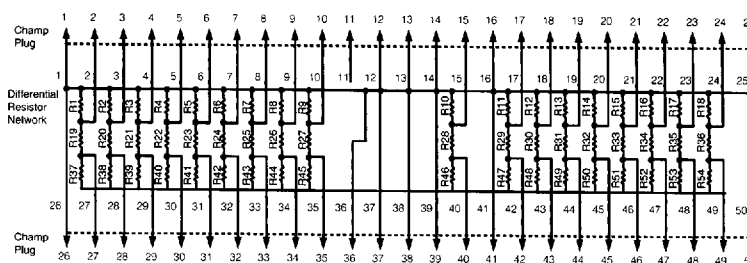
**Mating Force**—35 lb. [15.9 kg] max.

**Unmating Force**—5 lb. [2.3 kg] min.

**Durability**—200 mating cycles



Single-Ended Schematic



Differential Schematic

Configuration	Part No.
Die Cast Single-Ended	868875-1
Die Cast Differential	868875-2
Post Molded Single-Ended	556578-1
Post Molded Differential	555867-1