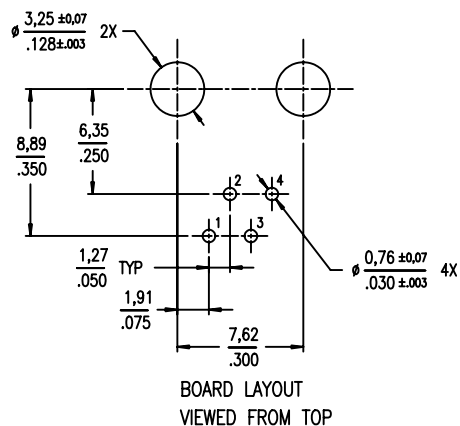
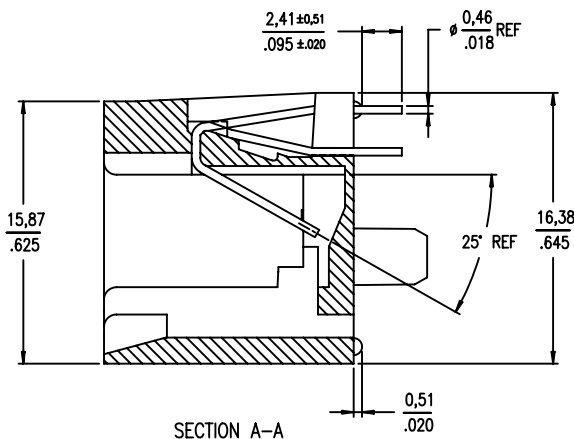
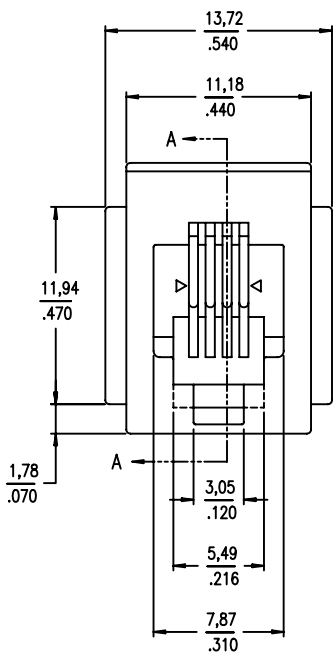
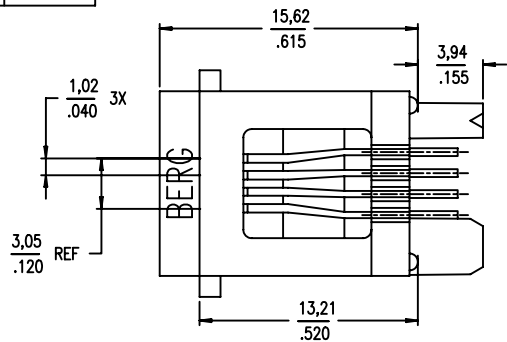
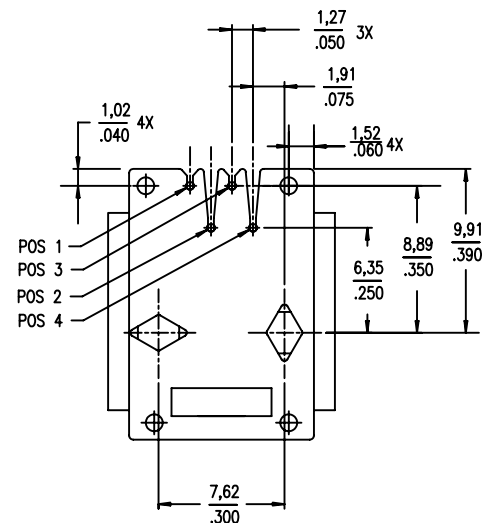



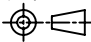
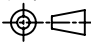
PRODUCT NO.	POS. LOADED	CONTACT PLATING	HSG COLOR	NOTES
90519-001(LF)	ALL	30u" GXT	BLACK	NOTE 1
90519-002(LF)	ALL			—



NOTES :

- ① SPECIAL PACKAGING.
- 2 GXT IS 0.76um / 30u" MIN GXT WITH Au FLASH OVER 1,27um / 50u" MIN Ni.
- 3 THE PART NUMBER WITH "LF" SUFFIX IS LEAD FREE P/N.
- 4 IF LF P/N, PACKAGING MEETS GS-14-920 SPECIFICATION.
- 5 FOR LEAD FREE P/N THE PRODUCT MEET EUROPEAN UNION DIRECTIVES AND OTHER COUNTRY REGULATION AS DESCRIBED IN GS-22-008.
- 6 FOR LEAD FREE P/N THE HOUSING WILL WITHSTAND EXPOSURE TO 260 DEGREE C FOR 10 SECONDS IN A WAVE SOLDER APPLICATION



mat'l code		tolerance unless otherwise specified		CUSTOMER COPY		 www.fcjconnect.com					
rev.	ecn no.	dr	date	linear	.0 ± 0.30	projection					
A	S10096	FPL/ew	02/04/91		.00 ± 0.13			title	SP/SW 4 POS VERTICAL PCB MOD JACK ASSY		
B	S20252	ERIC C.	08/09/92	angles	.000 ± 0.05		product family	MOD JACK	code	NAN	
C	T70458	C L	10/21/97		± 2°			unit	mm/inch	size	dwg no.
D	N05-0283	DT	10/20/05	dr	CATHY LIN	10/21/97	scale	3 : 1	A3	90519	
E	N08-0064	SH	05/05/08	engr	TONY CHIEN	10/21/97					
				chr	TONY CHIEN	10/21/97					
				appd	JENN TSAO	10/21/97					
sheet	revision	D									
index	sheet	1									