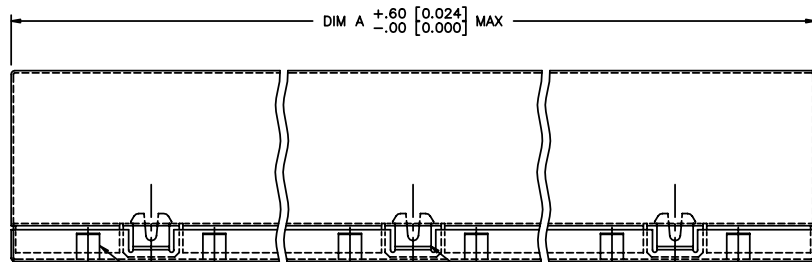
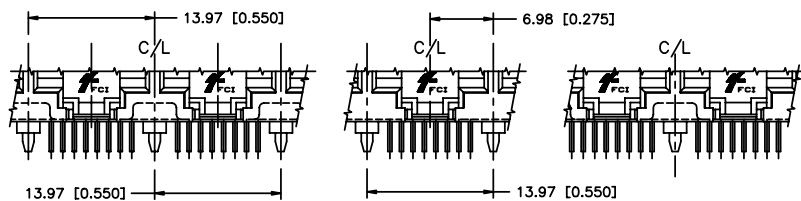
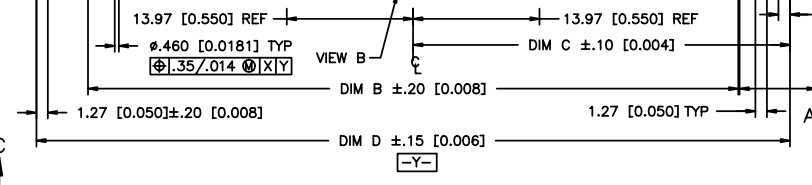
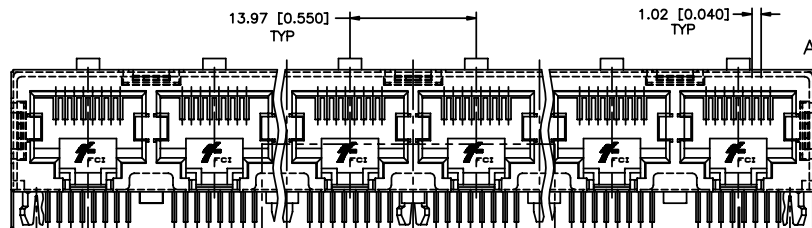


PRODUCT NO.
SEE TABLE



GROUNDING TAB
SEE SHEET 6 FOR
LOCATING CONFIGURATION

LATCHING MECHANISM



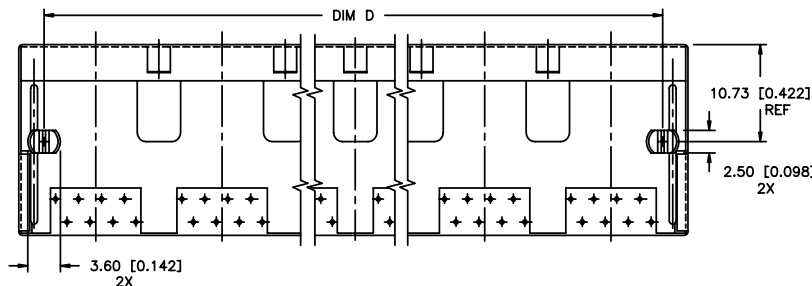
FOR PORT NO. 4,6,8,10,12

FOR PORT NO. 3,5,7,9,11

FOR 2-PORT

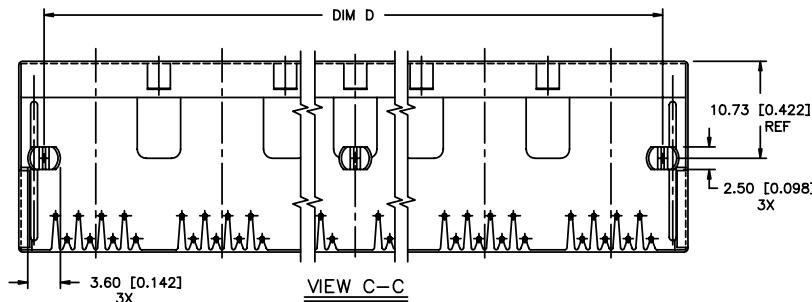
VIEW B

(CENTER PEG OMITTED FOR CLARITY,
-XXXM, -XXXMLF PRODUCT ONLY)



VIEW C-C

-XXXNLF PRODUCT ONLY (WITHOUT CENTER PEG - SEE NOTE 8)



VIEW C-C

-XXXM, -XXXMLF PRODUCT ONLY (WITH CENTER PEG - SEE NOTE 7)

- 1.27 [0.050] -X02M THRU -X12M & -X02NLF THRU -X12NLF
- 2.79 [0.110] $\pm.20 [0.008]$ -X02MLF THRU -X12MLF
- X01M, -X01AM, -X01NLF & -X01ANLF
- X01MLF, -X01AMLF
- 8.51 [0.335] -X02M THRU -X12M & -X02NLF THRU -X12NLF
- 7.87 [0.310] -X02MLF THRU -X12MLF
- X01M, -X01AM, -X01NLF & -X01ANLF
- X01MLF, -X01AMLF



All rights strictly reserved. Reproduction or issue to third parties in any form whatever is not permitted without written authority from the proprietor. Property of FCI. Copyright FCI.

Tous droits strictement reserves. Reproduction ou communication a des tiers interdite sous quelque forme que ce soit sans autorisation ecrite du proprietaire. Propriete de c FCI. Droits de reproduction FCI.

mat'l. code				tolerances unless otherwise specified				CUSTOMER COPY		FCI www.fciconnect.com	
ltr	ecn no	dr	date	linear	.X \pm .3/.XX \pm .01			projection	title		
S	N08-0001	SH	1/3/07		.XX \pm .13/.XXX \pm .005				R/A 8 POS GANG JACK ASSY		
T	N08-0100	SH	09/25/08	angles	.XXX \pm .051/.XXX \pm .0020			MM/INCH	SHIELDED, SNAP PEG		
U	N08-0239	SH	11/10/08		0° \pm 2°				product family MOD JACK		
M	V21065	LP	8/23/02	dr	KCHOU	3/18/93	scale	A	code		
N	T03-0059	GARY	02/18/03	enr	TC	3/18/93			size		-
P	T03-0106	GARY	03/31/03	chr	JTSAO	3/18/93	1:1	A	sheet		
R	M05-0067	MHT	4/8/05	appd	JTSAO	3/18/93			94910		1 of 6
sheet	revision	R	R	R	R	R					
index	sheet	1	1	3	4	5					

1 | 2

3

4

PRODUCT NO
SEE TABLE

Tous droits strictement reserves. Reproduction ou communication a des tiers interdite sous quelque forme que ce soit sans autorisation écrite du propriétaire. Propriete de c FCI. Droits de reproduction FCI.

All rights strictly reserved. Reproduction or issue to third parties in any form whatever is not permitted without written authority from the proprietor. Property of FCI. Copyright FCI.

VIEW A-A

NOTE 5

NOTES:

- RECOMMENDED P.C.B. THICKNESS 1.60 [0.063].
- CONTACTS: PHOS BRONZE ALLOY UNS-C51000, ϕ 0.460 [0.0181] ROUND WIRE, PLATING SEE TABLE.
- SHIELDING MAT'L: .25 [0.010] THICK BRASS ALLOY. SHIELDING PLATING: FOR 94910-XXXM: 2.54 μ m/100u" MIN BRIGHT TIN-LEAD PLATED OVER 0.76 μ m/30u" MIN NICKEL UNDERPLATING PER BUS-15-002/M. LEAD FREE OPTION: FOR 94910-XXXNLF: 0.76 μ m/30u" MIN NICKEL PLATING, WITH SELECTIVE TIN ON SOLDER TAILS, SEE DETAIL E. SHIELDING PLATING: FOR 94910-XXXMLF: 2.54 μ m/100u" MIN BRIGHT PURE TIN PLATED OVER 0.76 μ m/30u" MIN NICKEL UNDERPLATING PER BUS-15-002/M.
- SPECIALLY FOR ONE-PORT P/N 94910-X01M, -X01MLF & 94910-X01NLF ONLY. SOLDER TAIL OF SHIELD IS 1.02 [0.040] WIDE, DISTANCE FROM PCB PEG TO THE SOLDER TAIL IS 3.05 [0.120].
- SPECIALLY FOR ONE-PORT P/N 94910-X01AM, -X01AMLF & 94910-X01ANLF ONLY. SOLDER TAIL OF SHIELD IS 1.27 [0.050] WIDE, DISTANCE FROM PCB PEG TO THE SOLDER TAIL IS 3.05 [0.120].
- ALL DIMENSIONS IN MILLIMETERS/INCHES.
- CENTER PEG FOR 8-PORTS AND ABOVE, (-XXXM, -XXXMLF PRODUCT ONLY).
- NO CENTER PEG AVAILABLE ON -XXXNLF PRODUCT.
- "LF" SUFFIX AT THE END OF PART NUMBER IS LEAD FREE.
- THE HOUSING WILL WITHSTAND EXPOSURE TO 260°C PEAK TEMPERATURE FOR 15 SECONDS IN A WAVE SOLDER APPLICATION WITH A 1.5mm MINIMUM THICK CIRCUIT BOARD. SEE APPLICATION NOTES/PROCEDURES IF THEY ARE AVAILABLE.
- THIS PRODUCT MEETS EUROPEAN UNION DIRECTIVES AND OTHER COUNTRY REGULATION AS DESCRIBED IN GS-22-008
- PLATING OPTIONS: MAY BE EITHER GOLD OR GXT PLATED AT MANUFACTURER'S OPTION.

mat'l. code				tolerances unless otherwise specified		CUSTOMER COPY		FCI	
-				.X±.3/.XX ±.01		www.fciconnect.com			
ltr	ecn no	dr	date	linear	.XX±.13/.XXX ±.005		projection	title	
U					.XXX±.051/.XXXX ±.0020			R/A 8 POS GANG JACK ASSY SHIELDED, SNAP PEG	
					angles 0° ±2'				
				dr	KCHOU	3/18/93	MM/INCH	product family	MOD JACK
				enr	TC	3/18/93		code	-
				chr	JTSAO	3/18/93	scale	size	dwg no
				appd	JTSAO	3/18/93		1:1	A
sheet index	revision sheet								sheet 2 of

1 | 2

7

4

ACAD

PDM: Rev:U

STATUS: Released 26 Printed: Aug 01, 2010



All rights strictly reserved. Reproduction or issue to third parties in any form whatever is not permitted without written authority from the proprietor. Property of FCI. Copyright FCI.

Tous droits strictement reserves. Reproduction ou communication a des tiers interdite sous quelque forme que ce soit sans autorisation ecrite du proprietaire. Propriete de c FCI. Droits de reproduction FCI.

1 | 2

3

4

PRODUCT No.	No. OF PORTS	DIM A +.60 [0.024] -0	DIM B	DIM C±.10 [0.004]	DIM D±.15 [0.006]	GROUND LEG NO. ON THE BACK (VIEW B)	NOTE
94910-X01M	1	15.74 [0.620]	-----	5.72 [0.225]	11.43 [0.450]	NONE	NOTE 4
94910-X01AM	1	15.74 [0.620]	-----	5.72 [0.225]	11.43 [0.450]	NONE	NOTE 5
94910-X04M	4	58.92 [2.320]	41.91 [1.650]	26.67 [1.050]	53.34 [2.100]	3	
94910-X08M	8	114.80 [4.520]	97.79 [3.850]	54.61 [2.150]	109.22 [4.300]	3	
94910-X01MLF	1	15.74 [0.620]	-----	5.72 [0.225]	11.43 [0.450]	NONE	NOTE 4
94910-X01AMLF	1	15.74 [0.620]	-----	5.72 [0.225]	11.43 [0.450]	NONE	NOTE 5
94910-X04MLF	4	58.92 [2.320]	41.91 [1.650]	26.67 [1.050]	53.34 [2.100]	3	
94910-X08MLF	8	114.80 [4.520]	97.79 [3.850]	54.61 [2.150]	109.22 [4.300]	3	
94910-X11MLF	1	15.74 [0.620]	-----	5.72 [0.225]	11.43 [0.450]	NONE	NOTE 4
94910-X11AMLF	1	15.74 [0.620]	-----	5.72 [0.225]	11.43 [0.450]	NONE	NOTE 5
94910-X14MLF	4	58.92 [2.320]	41.91 [1.650]	26.67 [1.050]	53.34 [2.100]	3	
94910-X18MLF	8	114.80 [4.520]	97.79 [3.850]	54.61 [2.150]	109.22 [4.300]	3	

0: MEETS WAVE SOLDER PROCESS PRODUCT NO.
1: MEETS PIP PROCESS PRODUCT NO.

PLATING CODE X	PLATING (12)
0	.76uM/30u" G.X.T.
1	.38uM/15u" GOLD
3	.76uM/30u" GOLD
5	1.27uM/50u" GOLD

mat'l. code				tolerances unless otherwise specified			CUSTOMER COPY	 www.fciconnect.com
ltr	ecn no	dr	date	linear	.X±.3/.XX ±.01	projection		
U					.XX±.13/.XXX ±.005			title R/A 8 POS GANG JACK ASSY SHIELDED, SNAP PEG
				angles	.XXX±.051/.XXXX ±.0020	product family MOD JACK size dwg no		
				dr	0° ±2°		scale 1:1	A 94910
				enr				
				chr				
				appd				
sheet index	revision sheet							

1 | 2

7

4

ACAD

PDM: Rev:U

STATUS: Released 26 Printed: Aug 01, 2016



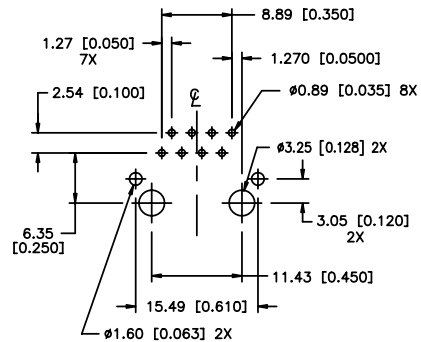
PRODUCT No.	PORTS	DIM A ± 0	DIM B ± 0.20 [0.008]	DIM C ± 0.10 [0.004]	DIM D ± 0.15 [0.006]	THE BACK (VIEW B)	
94910-X01NLF	1	15.74 [0.620]	-----	5.72 [0.225]	11.43 [0.450]	NONE	NOTE 4
94910-X01ANLF	1	15.74 [0.620]	-----	5.72 [0.225]	11.43 [0.450]	NONE	NOTE 5
94910-X04NLF	4	58.92 [2.320]	41.91 [1.650]	26.67 [1.050]	53.34 [2.100]	3	
94910-X08NLF	8	114.80 [4.520]	97.79 [3.850]	54.61 [2.150]	109.22 [4.300]	3	
94910-X11NLF	1	15.74 [0.620]	-----	5.72 [0.225]	11.43 [0.450]	NONE	NOTE 4
94910-X11ANLF	1	15.74 [0.620]	-----	5.72 [0.225]	11.43 [0.450]	NONE	NOTE 5
94910-X14NLF	4	58.92 [2.320]	41.91 [1.650]	26.67 [1.050]	53.34 [2.100]	3	
94910-X18NLF	8	114.80 [4.520]	97.79 [3.850]	54.61 [2.150]	109.22 [4.300]	3	

0: MEETS WAVE SOLDER PROCESS PRODUCT NO.
1: MEETS PIP PROCESS PRODUCT NO.

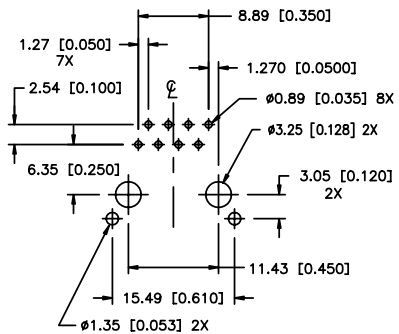
PLATING CODE X	PLATING (2)
0	.76uM/30u" G.X.T.
1	.38uM/15u" GOLD
3	.76uM/30u" GOLD
5	1.27uM/50u" GOLD

mat'l. code				tolerances unless otherwise specified			CUSTOMER COPY	 www.fciconnect.com
ltr	ecn no	dr	date	linear	.X \pm .3/.XX \pm .01			
U					.XX \pm .13/.XXX \pm .005			
					.XXX \pm .051/.XXXX \pm .0020			
				angles	0° \pm 2°		 MM/INCH scale 1:1	
				dr	KCHOU	5/4/94		product family MOD JACK
				enrg	TC	5/4/94		
				chr	JTSAO	5/4/94		size dwg no
				appd	JTSAO	5/4/94		
sheet index	revision sheet						sheet 4 of	

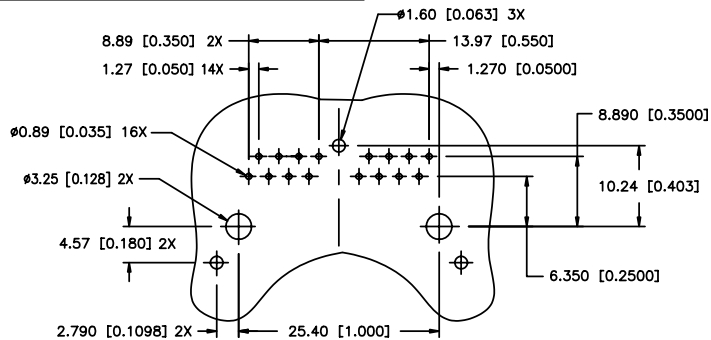
PRODUCT NO.
SEE TABLE



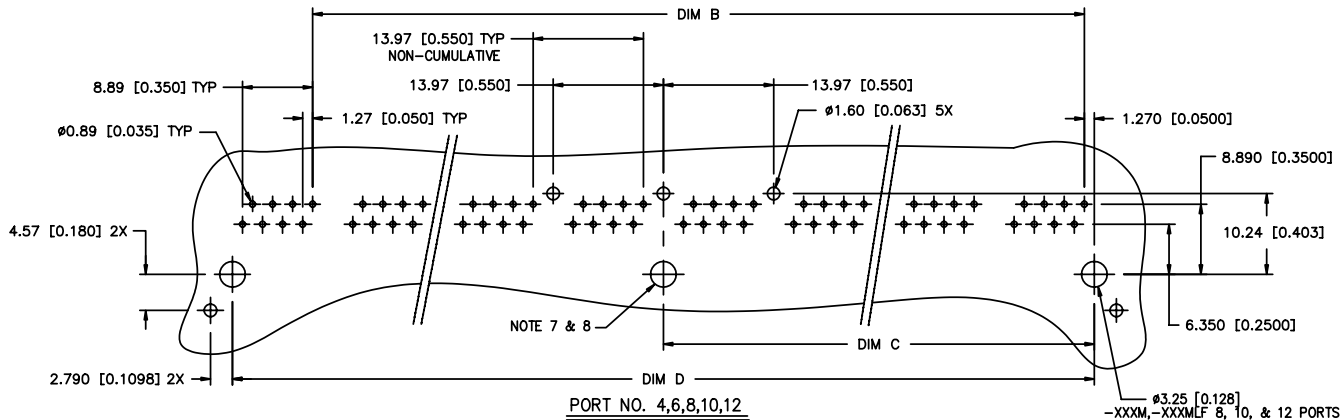
FOR 1-PORT, -X01AM, -X01A, -X01ANLF
-X01AML & -X01ALF



FOR 1-PORT, -X01M, -X01MLF & -X01NLF

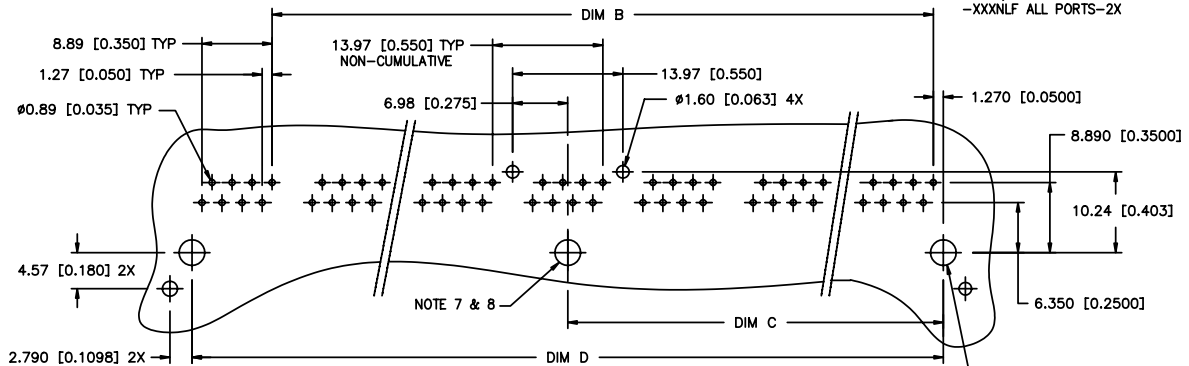


2-PORT



PORT NO. 4,6,8,10,12

0.325 [0.128]
-XXXM, -XXXMLF 8, 10, & 12 PORTS-3X
-XXXM, -XXXMLF BELOW 8 PORTS-2X
-XXXNLF ALL PORTS-2X



PORT NO. 3,5,7,9,11

0.325 [0.128]
-XXXM, -XXXMLF 9, & 11 PORTS-3X
-XXXM, -XXXMLF BELOW 8 PORTS-2X
-XXXNLF ALL PORTS-2X

RECOMMENDED P.C.B LAYOUT



Tous droits strictement reserves. Reproduction ou communication a des tiers interdite sous quelque forme que ce soit sans autorisation ecrite du proprietaire. Propriete de c FCI. Droits de reproduction FCI.

All rights strictly reserved. Reproduction or issue to third parties in any form whatever is not permitted without written authority from the proprietor. Property of FCI. Copyright FCI.

mat'l. code				tolerances unless otherwise specified		CUSTOMER COPY		FCI www.fciconnect.com	
ltr	ecn no	dr	date	linear	.X±.3/.XX ±.01		projection	title	
U					.XX±.13/.XXX ±.005			R/A 8 POS GANG JACK ASSY SHIELDED, SNAP PEG	
				angles	.XXX±.051/.XXXX ±.0020		MM/INCH	product family MOD JACK	
				dr	KCHOU	5/4/94		code	
				enfr	TC	5/4/94	size		
				chr	JTSAO	5/4/94	dwg no		
				appd	JTSAO	5/4/94	94910		
sheet index		revision sheet		scale		1:1		A	

cage code
22526

STATUS: Released

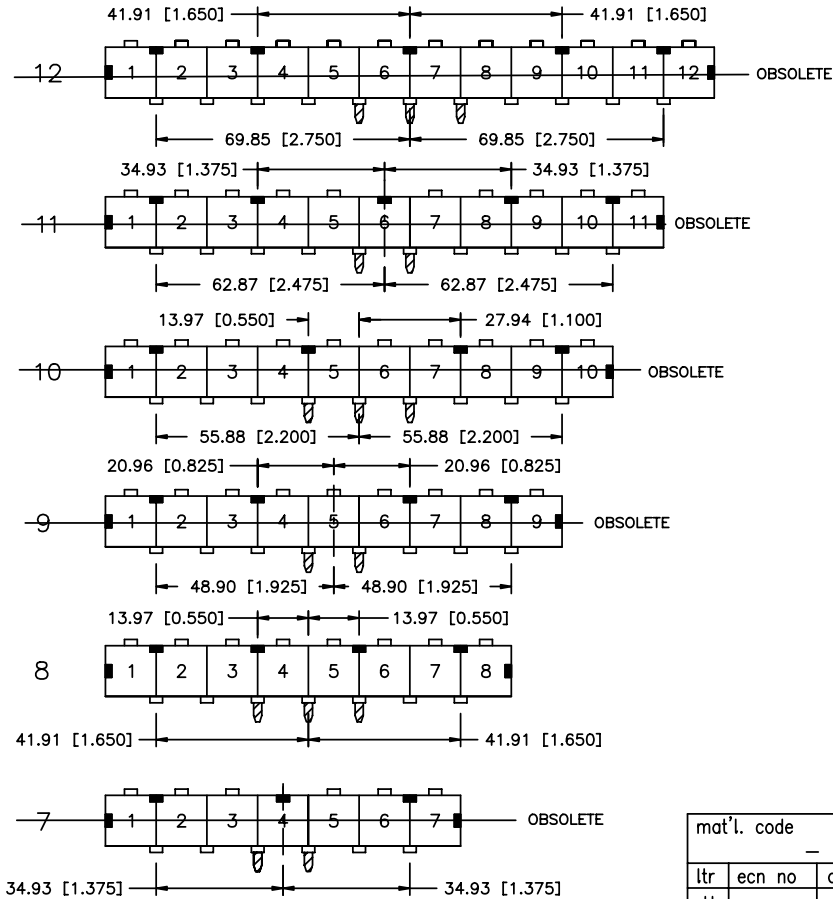
Printed: Aug 01 2004

LATCHING AND GROUNDING TAB LOCATING CONFIGURATION

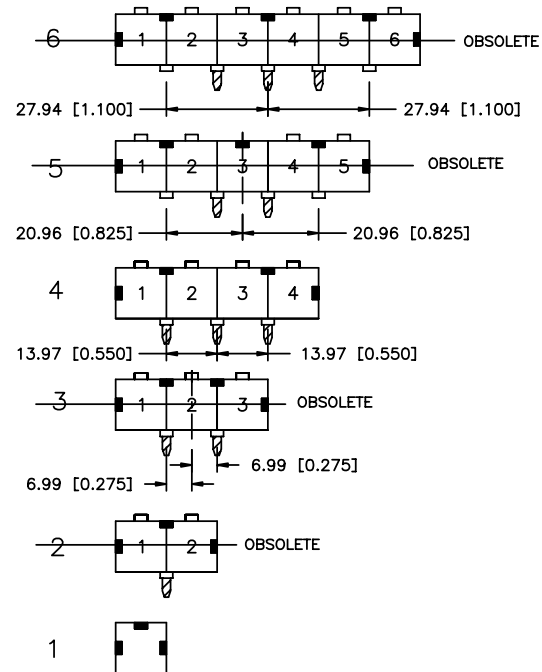
- INDICATES LATCHING TAB (SEE SHEET 1)
- INDICATES GROUNDING TAB ON THE FRONT OF PRODUCT (SEE SHEET 1)
- ▨ INDICATES GROUNDING LEG ON THE BACK OF PRODUCT (VIEW B)

OBSOLETE

PORT NUMBERS



PORT NUMBERS



Tous droits strictement reserves. Reproduction ou communication a des tiers interdite sous quelque forme que ce soit sans autorisation écrite du propriétaire. Propriete de c FCI. Droits de reproduction FCI.



All rights strictly reserved. Reproduction or issue to third parties in any form whatever is not permitted without written authority from the proprietor. Property of FCI. Copyright FCI.

OBSOLETE

A

B

mat'l. code		tolerances unless otherwise specified		CUSTOMER COPY		FCI www.fciconnect.com	
ltr	ecn no	dr	date	linear	projection	title	
U						R/A 8 POS GANG JACK ASSY SHIELDED, SNAP PEG	
				angles	MM/INCH	product family	code
				dr		MOD JACK	
				enr	scale	size	dwg no
				chr		1:1	94910
				appd			6 of
sheet index	revision sheet						