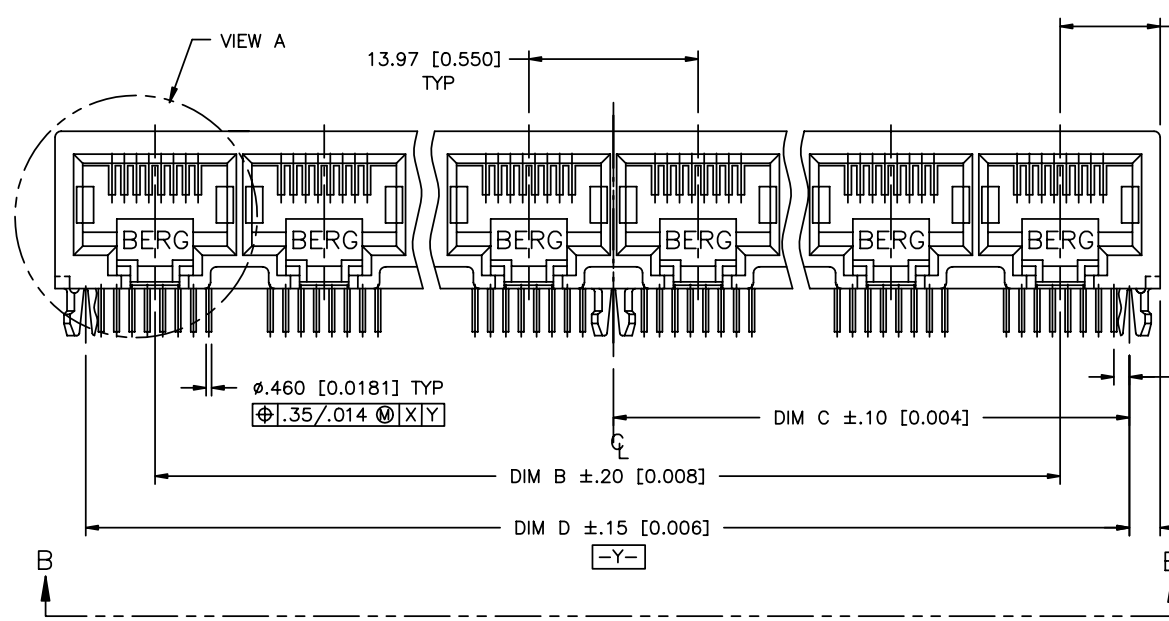
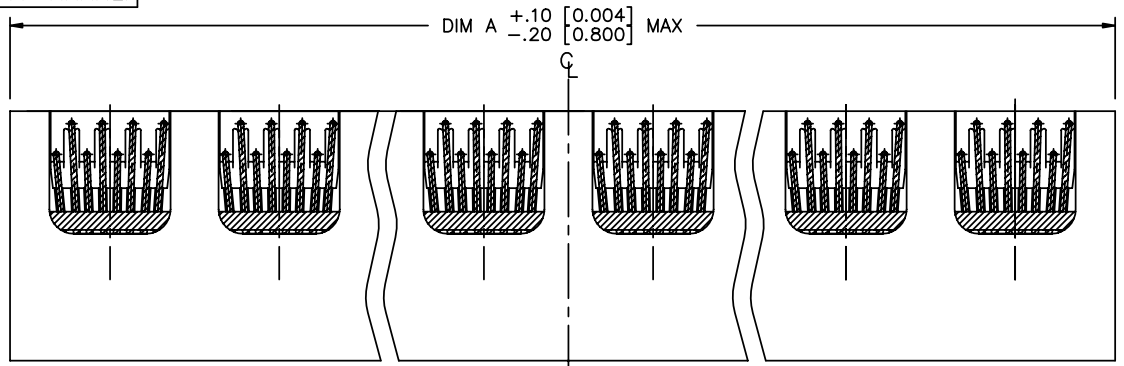


Tous droits strictement reserves. Reproduction ou communication a des tiers interdite sous quelque forme que ce soit sans autorisation écrite du propriétaire. Propriete de c FCI. Droits de reproduction FCI.

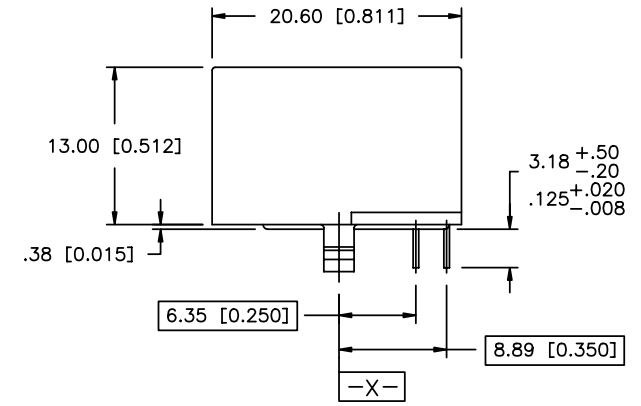
All rights strictly reserved. Reproduction or issue to third parties in any form whatever is not permitted without written authority from the proprietor. Property of FCI. Copyright FCI.



PRODUCT NO.
94911-XXXLF
94911-XXXHLF



8.26 [0.325] -X02LF THRU -X12LF
7.62 [0.300] -X01LF



2.54 [0.100] -X02LF THRU -X12LF
1.91 [0.075] -X01LF

mat'l. code				tolerances unless otherwise specified			CUSTOMER COPY		FCI www.fciconnect.com	
ltr	ecn no	dr	date	linear	.X±.3/.XX ±.01		projection ⊕ ↗	title R/A. 8 POS GANG JACK ASSY. UNSHIELDED, SNAP PEG		
H	T80171	CATHY	6/10/98		.XX±.13/.XXX ±.005					
J	V81304	RGD	7/13/98	angles	XXX±.051/.XXX ±.0020		MM/INCH ↔	product family MOD JACK size dwg no		
K	N04-0119	MHT	12/9/04		0° ±2'					
L	N08-0100	SH	9/25/08	dr	KCHOU	5/5/94	scale 1:1	A 94911		
M	N08-0273	SH	12/25/08	enrg	TC	5/5/94				
				chr	JTSAO	5/5/94				
				appd	JTSAO	5/5/94	sheet index		sheet	
	revision	K	J	J	J	J				
	sheet	1	2	3	4	5				

ACAD

PDM: Rev:M

STATUS: Released

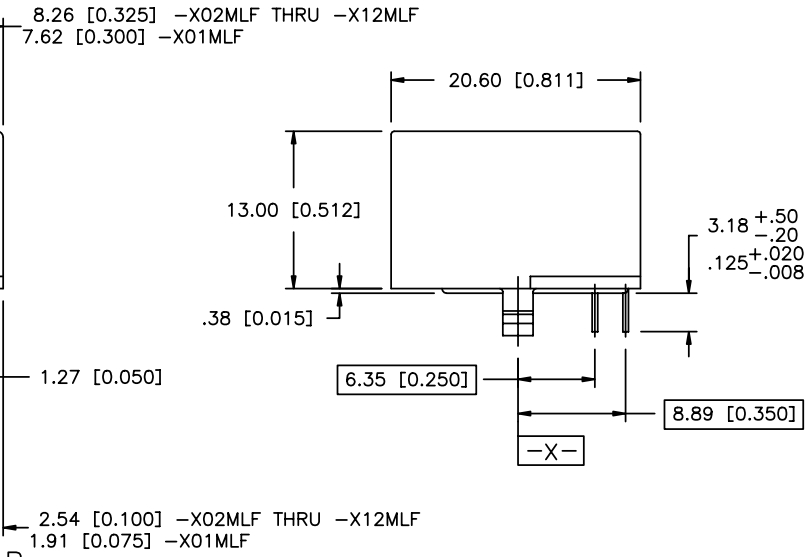
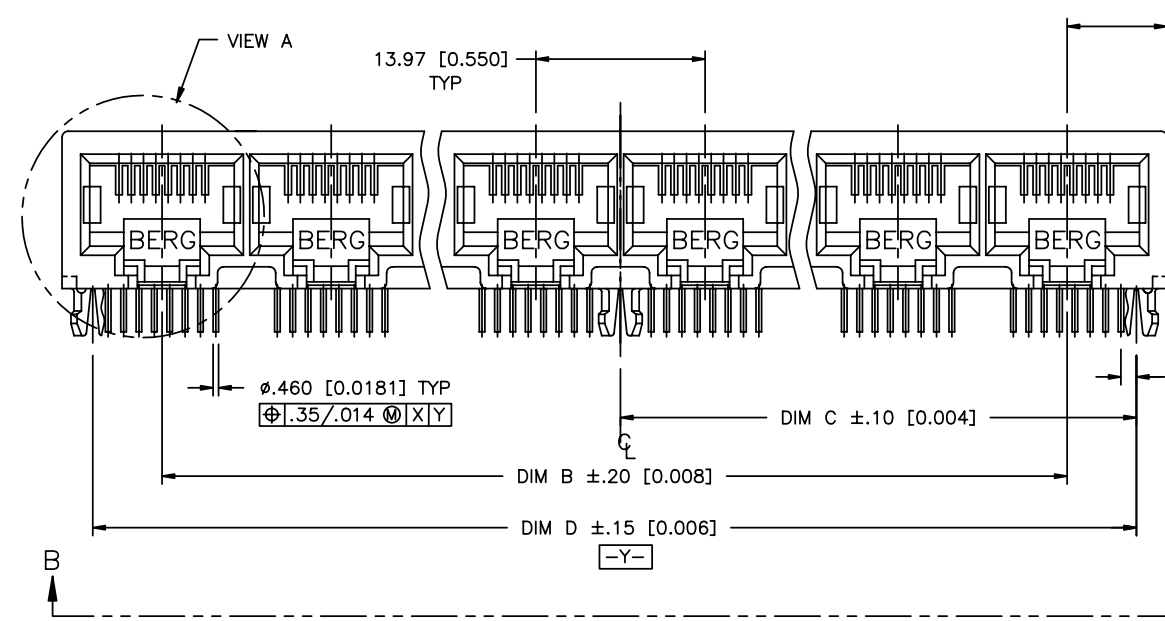
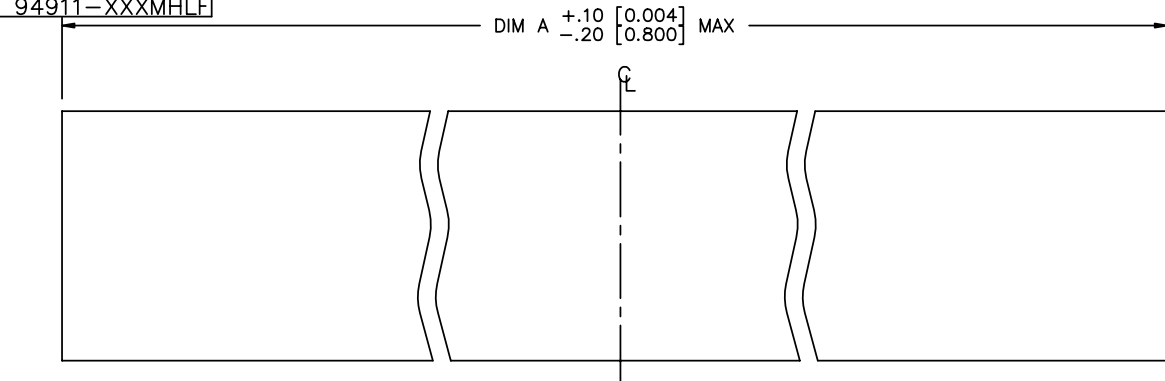
cage code 212526
21 Aug 01, 2010

Tous droits strictement réservés. Reproduction ou communication à des tiers interdite sous quelque forme que ce soit sans autorisation écrite du propriétaire. Propriété de c FCI. Droits de reproduction FCI.

All rights strictly reserved. Reproduction or issue to third parties in any form whatever is not permitted without written authority from the proprietor. Property of FCI. Copyright FCI.



PRODUCT NO.
94911-XXXMLF
94911-XXXMHLF



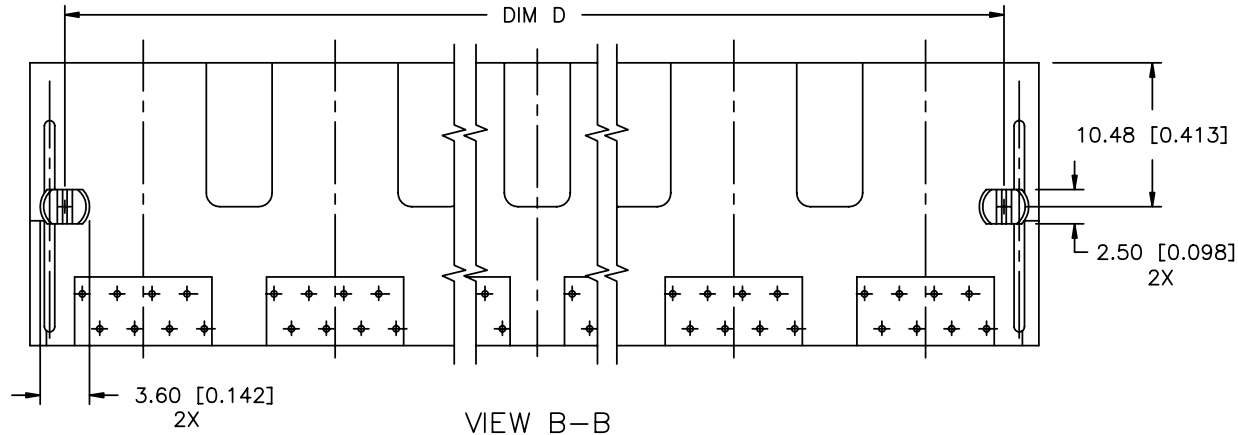
mat'l. code				tolerances unless otherwise specified		CUSTOMER COPY		 www.fciconnect.com		
ltr	ecn no	dr	date	linear	.X±.3/.XX ±.01		projection	title		
M					.XX±.13/.XXX ±.005				R/A. 8 POS GANG JACK ASSY. UNSHIELDED, SNAP PEG	
					XXX±.051/.XXX ±.0020				product family MOD JACK	
				angles	0° ±2'		MM/INCH	code		
				dr	KCHOU	5/5/94	scale	size		
				enr	TC	5/5/94		1:1	dwg no	
				chr	JTSAO	5/5/94			94911	
				appd	JTSAO	5/5/94			sheet	
sheet index	revision sheet							2 of 4		

Tous droits strictement réservés. Reproduction ou communication a des tiers interdite sous quelque forme que ce soit sans autorisation écrite du propriétaire. Propriété de c FCI. Droits de reproduction FCI.

All rights strictly reserved. Reproduction or issue to third parties in any form whatever is not permitted without written authority from the proprietor. Property of FCI. Copyright FCI.

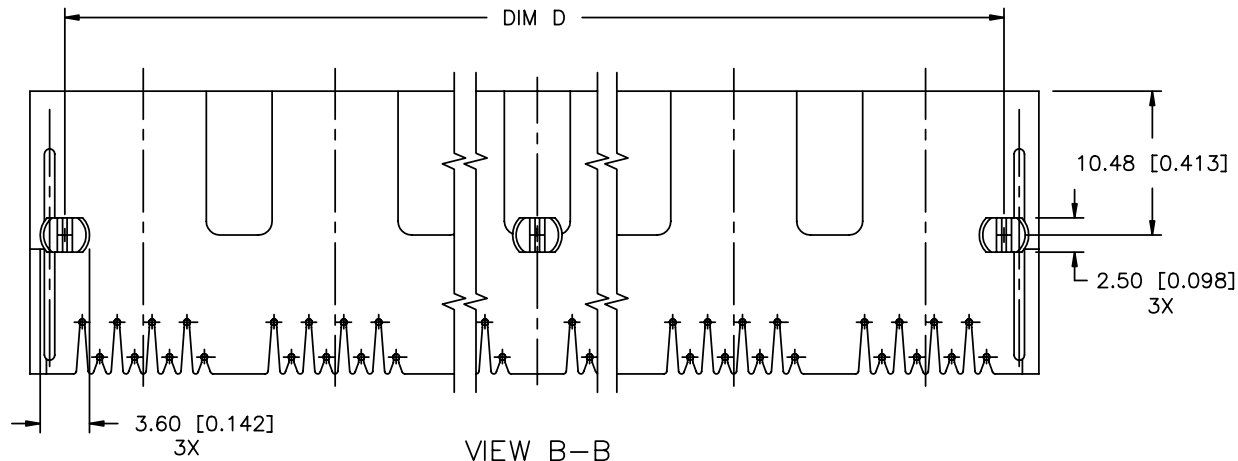
PRODUCT NO.

SEE TABLE



VIEW B-B

-XXXLF PRODUCT ONLY (WITHOUT CENTER PEG - SEE NOTE 4)



VIEW B-B

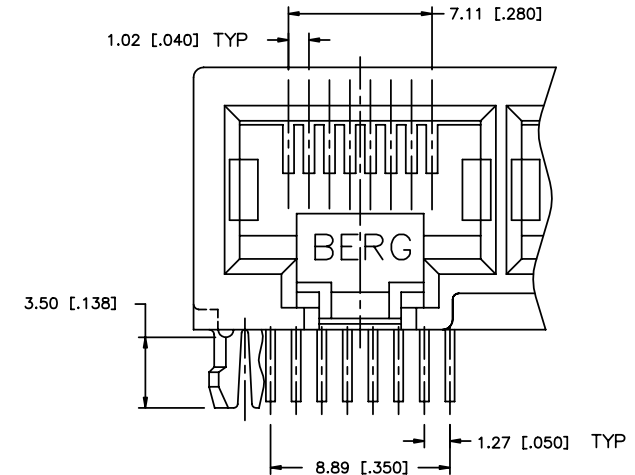
-XXXMLF PRODUCT ONLY (WITH CENTER PEG - SEE NOTE 3)

mat'l. code				tolerances unless otherwise specified		CUSTOMER COPY		FCI www.fciconnect.com	
ltr	ecn no	dr	date	linear	.X±.3/.XX ±.01		projection	title R/A. 8 POS GANG JACK ASSY. UNSHIELDED, SNAP PEG	
M					.XX±.13/.XXX ±.005				
				angles	XXX±.051/.XXXX ±.0020		MM/INCH	product family MOD JACK	
					0° ±2'			code	
				dr	KCHOU	5/5/94	scale	size	
				enr	TC	5/5/94		1:1	dwg no
				chr	JTSAO	5/5/94	A		94911
				appd	JTSAO	5/5/94		sheet	
sheet index	revision sheet							3 of	



PRODUCT No.	NO OF PORTS	DIM A $\begin{matrix} +.10 [0.004] \\ -.20 [0.008] \end{matrix}$	DIM B	DIM C $\pm .10 [0.004]$	DIM D $\pm .15 [0.006]$
94911-X01MLF	1	15.24 [0.600]	-----	5.72 [0.225]	11.43 [0.450]
94911-X02MLF	2	30.48 [1.200]	13.97 [0.550]	12.70 [0.500]	25.40 [1.000]
94911-X03MLF	3	44.45 [1.750]	27.94 [1.100]	19.69 [0.775]	39.37 [1.550]
94911-X04MLF	4	58.42 [2.300]	41.91 [1.650]	26.67 [1.050]	53.34 [2.100]
94911-X05MLF	5	72.39 [2.850]	55.88 [2.200]	33.66 [1.325]	67.31 [2.650]
94911-X06MLF	6	86.36 [3.400]	69.85 [2.750]	40.64 [1.600]	81.28 [3.200]
94911-X07MLF	7	100.33 [3.950]	83.82 [3.300]	47.63 [1.875]	95.25 [3.750]
94911-X08MLF	8	114.30 [4.500]	97.79 [3.850]	54.61 [2.150]	109.22 [4.300]
94911-X08LLF	8	114.30 [4.500]	97.79 [3.850]	54.61 [2.150]	109.22 [4.300]
94911-X09MLF	9	128.27 [5.050]	111.76 [4.400]	61.60 [2.425]	123.19 [4.850]
94911-X10MLF	10	142.24 [5.600]	125.73 [4.950]	68.58 [2.700]	137.16 [5.400]
94911-X11MLF	11	156.21 [6.150]	139.70 [5.500]	75.57 [2.975]	151.13 [5.950]
94911-X12MLF	12	170.18 [6.700]	153.67 [6.050]	82.55 [3.250]	165.10 [6.500]

PRODUCT No.	NO OF PORTS	DIM A $\begin{matrix} +.10 [0.004] \\ -.20 [0.008] \end{matrix}$	DIM B	DIM C $\pm .10 [0.004]$	DIM D $\pm .15 [0.006]$
94911-X01LF	1	15.24 [0.600]	-----	5.72 [0.225]	11.43 [0.450]
94911-X02LF	2	30.48 [1.200]	13.97 [0.550]	12.70 [0.500]	25.40 [1.000]
94911-X03LF	3	44.45 [1.750]	27.94 [1.100]	19.69 [0.775]	39.37 [1.550]
94911-X04LF	4	58.42 [2.300]	41.91 [1.650]	26.67 [1.050]	53.34 [2.100]
94911-X05LF	5	72.39 [2.850]	55.88 [2.200]	33.66 [1.325]	67.31 [2.650]
94911-X06LF	6	86.36 [3.400]	69.85 [2.750]	40.64 [1.600]	81.28 [3.200]
94911-X07LF	7	100.33 [3.950]	83.82 [3.300]	47.63 [1.875]	95.25 [3.750]
94911-X08LF	8	114.30 [4.500]	97.79 [3.850]	54.61 [2.150]	109.22 [4.300]
94911-X09LF	9	128.27 [5.050]	111.76 [4.400]	61.60 [2.425]	123.19 [4.850]
94911-X10LF	10	142.24 [5.600]	125.73 [4.950]	68.58 [2.700]	137.16 [5.400]
94911-X11LF	11	156.21 [6.150]	139.70 [5.500]	75.57 [2.975]	151.13 [5.950]
94911-X12LF	12	170.18 [6.700]	153.67 [6.050]	82.55 [3.250]	165.10 [6.500]



VIEW A
SCALE: 2/1

NOTES

1. APPLICABLE PC BOARD THICKNESS: 1.60 [0.062].
2. CONTACTS: PHOSPHOR BRONZE ALLOY UNS-C51000, $\phi .460 [0.0181]$ ROUND WIRE, SEE TABLE FOR PLATING.
- ③ CENTER PEG FOR 8 PORTS AND ABOVE, (-XXXMLF PRODUCT ONLY).
- ④ NO CENTER PEG FOR P/N 94911-008LLF, AND -XXXLF PRODUCT.
5. PART NUMBERS WITH LF IN THE END ARE LEAD FREE.
6. THIS PRODUCT MEETS EUROPEAN UNION DIRECTIVES AND OTHER COUNTRY REGULATION AS DESCRIBED IN GS-22-008.
7. THE HOUSING WITHSTAND EXPOSURE TO 260° PEAK TEMPERATURE FOR 15 SECONDS IN A CONVENTION INFRA-RED OR VAPOR PHASE REFLOW OVEN.
- ⑧ EQUIVALENT THICKNESS Au AND GXT PLATING HAVE SAME FUNCTION AND THEY ARE ALTERNATIVE BY THE CUSTOEMR .

⑧

PLATING CODE X	PLATING
0	.76uM/30u" G.X.T.
1	.38uM/15u" GOLD
3	.76uM/30u" GOLD
5	1.27uM/50u" GOLD

mat'l. code				tolerances unless otherwise specified		CUSTOMER COPY		FCI			
ltr	ecn no	dr	date	linear	$.X \pm .3 / .XX \pm .01$	projection	title	www.fciconnect.com			
M					$.XX \pm .13 / .XXX \pm .005$				R/A. 8 POS GANG JACK ASSY. UNSHIELDED, SNAP PEG		
					$XXX \pm .051 / .XXXX \pm .0020$						
				angles	$0' \pm 2'$	MM/INCH	product family	MOD JACK	code		
				dr	KCHOU 5/5/94	scale	A	94911	sheet 4 of		
				enr	TC 5/5/94						
				chr	JTSAO 5/5/94						
				appd	JTSAO 5/5/94						
sheet index	revision sheet										

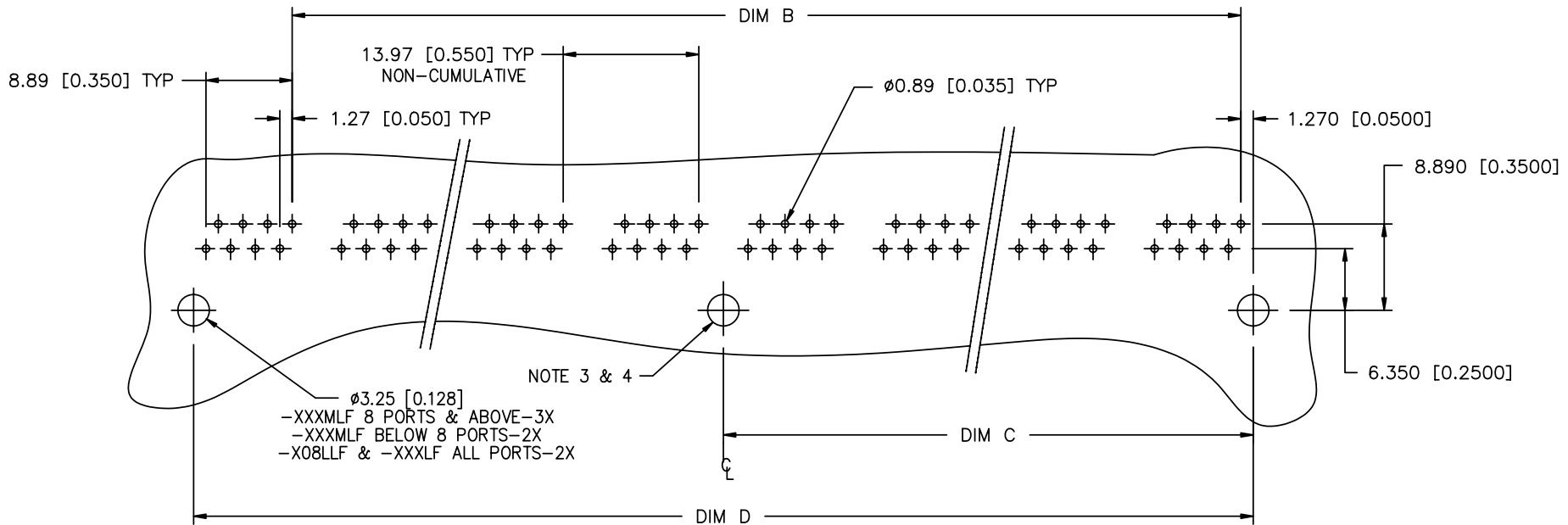
Tous droits strictement réservés. Reproduction ou communication a des tiers interdite sous quelque forme que ce soit sans autorisation écrite du propriétaire. Propriété de c FCI. Droits de reproduction FCI.

All rights strictly reserved. Reproduction or issue to third parties in any form whatever is not permitted without written authority from the proprietor. Property of FCI. Copyright FCI.

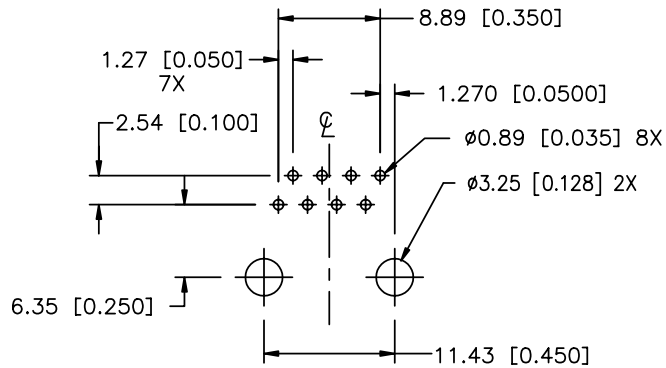


PRODUCT NO

SEE TABLE



RECOMMENDED PC BOARD LAYOUT
(2 THRU 12 PORTS)



RECOMMENDED PC BOARD LAYOUT
(1 PORT)

mat'l. code				tolerances unless otherwise specified		CUSTOMER COPY	 www.fciconnect.com
ltr	ecn no	dr	date	linear	.X \pm .3/.XX \pm .01		
M					.XX \pm .13/.XXX \pm .005		R/A. 8 POS GANG JACK ASSY. UNSHIELDED, SNAP PEG
				angles	XXX \pm .051/.XXXX \pm .0020		
				dr	KCHOU 5/5/94	MM/INCH	code
				enr	TC 5/5/94	scale	size
				chr	JTSAO 5/5/94		
				appd	JTSAO 5/5/94	1:1	sheet
sheet index	revision sheet						5 of

Tous droits strictement réservés. Reproduction ou communication à des tiers interdite sous quelque forme que ce soit sans autorisation écrite du propriétaire. Propriété de c FCI. Droits de reproduction FCI.

All rights strictly reserved. Reproduction or issue to third parties in any form whatever is not permitted without written authority from the proprietor. Property of FCI. Copyright FCI.

PRODUCT No.	NO OF PORTS	DIM A $\begin{matrix} +.10 [0.004] \\ -.20 [0.008] \end{matrix}$	DIM B	DIM C $\pm .10 [0.004]$	DIM D $\pm .15 [0.006]$
94911-X01MHLF	1	15.24 [0.600]	-----	5.72 [0.225]	11.43 [0.450]
94911-X02MHLF	2	30.48 [1.200]	13.97 [0.550]	12.70 [0.500]	25.40 [1.000]
94911-X03MHLF	3	44.45 [1.750]	27.94 [1.100]	19.69 [0.775]	39.37 [1.550]
94911-X04MHLF	4	58.42 [2.300]	41.91 [1.650]	26.67 [1.050]	53.34 [2.100]
94911-X05MHLF	5	72.39 [2.850]	55.88 [2.200]	33.66 [1.325]	67.31 [2.650]
94911-X06MHLF	6	86.36 [3.400]	69.85 [2.750]	40.64 [1.600]	81.28 [3.200]
94911-X07MHLF	7	100.33 [3.950]	83.82 [3.300]	47.63 [1.875]	95.25 [3.750]
94911-X08MHLF	8	114.30 [4.500]	97.79 [3.850]	54.61 [2.150]	109.22 [4.300]
94911-X08LHLF	8	114.30 [4.500]	97.79 [3.850]	54.61 [2.150]	109.22 [4.300]
94911-X09MHLF	9	128.27 [5.050]	111.76 [4.400]	61.60 [2.425]	123.19 [4.850]
94911-X10MHLF	10	142.24 [5.600]	125.73 [4.950]	68.58 [2.700]	137.16 [5.400]
94911-X11MHLF	11	156.21 [6.150]	139.70 [5.500]	75.57 [2.975]	151.13 [5.950]
94911-X12MHLF	12	170.18 [6.700]	153.67 [6.050]	82.55 [3.250]	165.10 [6.500]

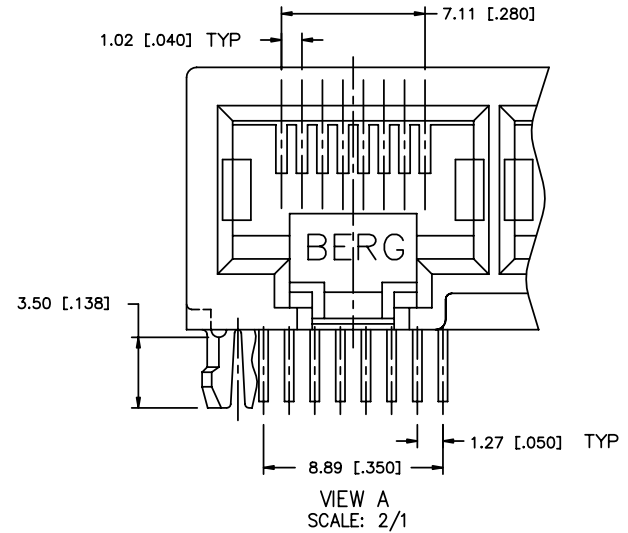
MEETS PIP PROCESS PRODUCT NO.

PRODUCT No.	NO OF PORTS	DIM A $\begin{matrix} +.10 [0.004] \\ -.20 [0.008] \end{matrix}$	DIM B	DIM C $\pm .10 [0.004]$	DIM D $\pm .15 [0.006]$
94911-X01HLF	1	15.24 [0.600]	-----	5.72 [0.225]	11.43 [0.450]
94911-X02HLF	2	30.48 [1.200]	13.97 [0.550]	12.70 [0.500]	25.40 [1.000]
94911-X03HLF	3	44.45 [1.750]	27.94 [1.100]	19.69 [0.775]	39.37 [1.550]
94911-X04HLF	4	58.42 [2.300]	41.91 [1.650]	26.67 [1.050]	53.34 [2.100]
94911-X05HLF	5	72.39 [2.850]	55.88 [2.200]	33.66 [1.325]	67.31 [2.650]
94911-X06HLF	6	86.36 [3.400]	69.85 [2.750]	40.64 [1.600]	81.28 [3.200]
94911-X07HLF	7	100.33 [3.950]	83.82 [3.300]	47.63 [1.875]	95.25 [3.750]
94911-X08HLF	8	114.30 [4.500]	97.79 [3.850]	54.61 [2.150]	109.22 [4.300]
94911-X09HLF	9	128.27 [5.050]	111.76 [4.400]	61.60 [2.425]	123.19 [4.850]
94911-X10HLF	10	142.24 [5.600]	125.73 [4.950]	68.58 [2.700]	137.16 [5.400]
94911-X11HLF	11	156.21 [6.150]	139.70 [5.500]	75.57 [2.975]	151.13 [5.950]
94911-X12HLF	12	170.18 [6.700]	153.67 [6.050]	82.55 [3.250]	165.10 [6.500]

MEETS PIP PROCESS PRODUCT NO.

⑧

PLATING CODE X	PLATING
0	.76uM/30u" G.X.T.
1	.38uM/15u" GOLD
3	.76uM/30u" GOLD
5	1.27uM/50u" GOLD



NOTES

1. APPLICABLE PC BOARD THICKNESS: 1.60 [0.062].
2. CONTACTS: PHOSPHOR BRONZE ALLOY UNS-C51000, $\phi .460 [0.0181]$ ROUND WIRE, SEE TABLE FOR PLATING.
- ③ CENTER PEG FOR 8 PORTS AND ABOVE, (-XXXMLF PRODUCT ONLY).
- ④ NO CENTER PEG FOR P/N 94911-008LLF, AND -XXXLF PRODUCT.
5. PART NUMBERS WITH LF IN THE END ARE LEAD FREE.
6. THIS PRODUCT MEETS EUROPEAN UNION DIRECTIVES AND OTHER COUNTRY REGULATION AS DESCRIBED IN GS-22-008.
7. THE HOUSING WITHSTAND EXPOSURE TO 260° PEAK TEMPERATURE FOR 15 SECONDS IN A CONVENTION INFRA-RED OR VAPOR PHASE REFLOW OVEN.
- ⑧ EQUIVALENT THICKNESS Au AND GXT PLATING HAVE SAME FUNCTION AND THEY ARE ALTERNATIVE BY THE CUSTOEMR .

mat'l. code				tolerances unless otherwise specified		CUSTOMER COPY		FCI	
ltr	ecn no	dr	date	linear	.X \pm .3/.XX \pm .01		projection	www.fciconnect.com	
M					.XX \pm .13/.XXX \pm .005			title	R/A. 8 POS GANG JACK ASSY. UNSHIELDED, SNAP PEG
				angles	XXX \pm .051/.XXXX \pm .0020		MM/INCH		product family MOD JACK
				dr	0' \pm 2'			scale	code
				enr	KCHOU	5/5/94	1:1		size
				chr	TC	5/5/94		A	94911
				appd	JTSAO	5/5/94	sheet		6 of
sheet index	revision sheet								