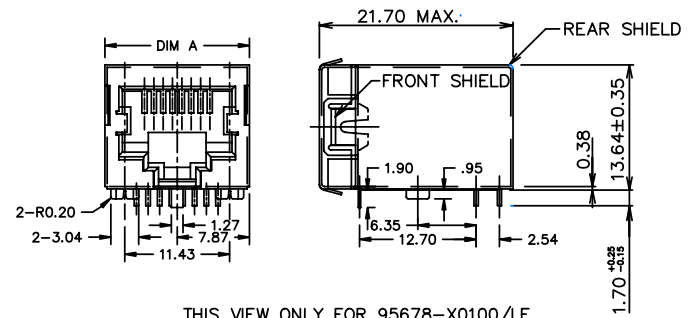
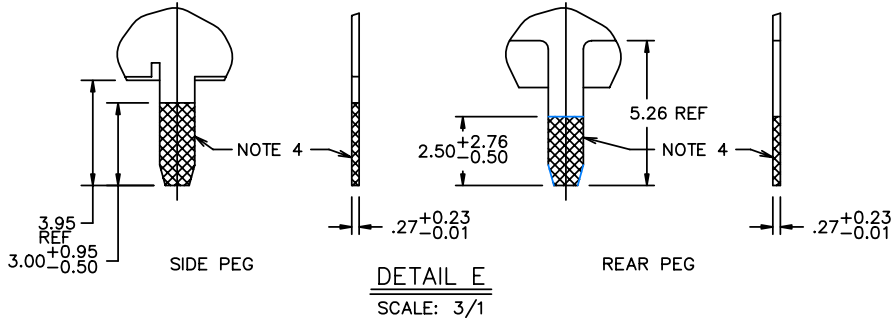
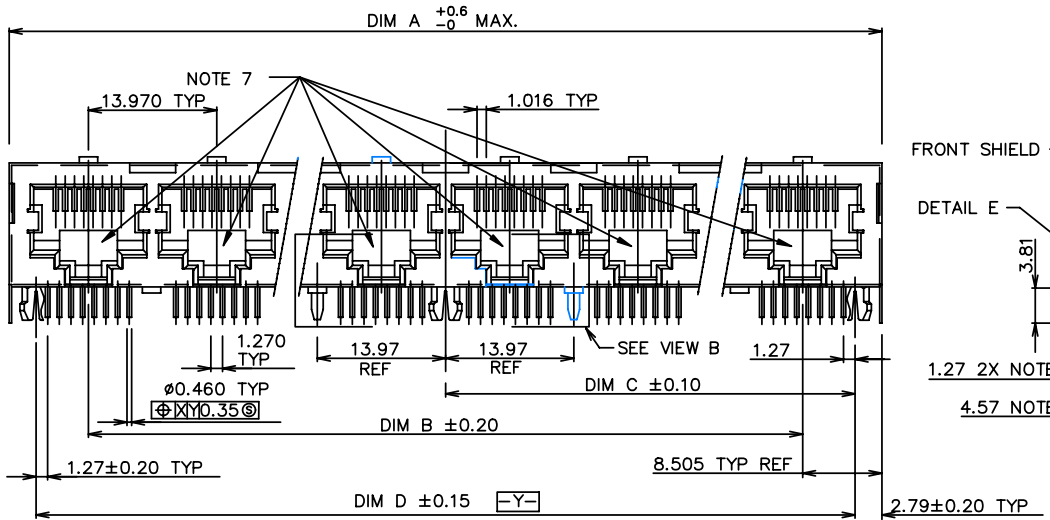
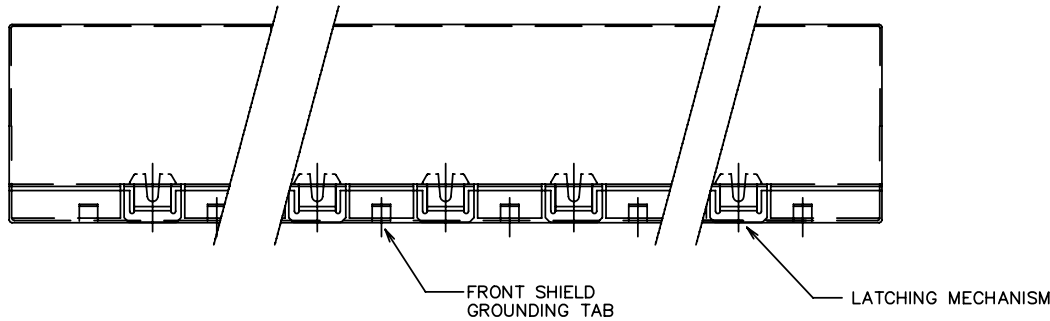
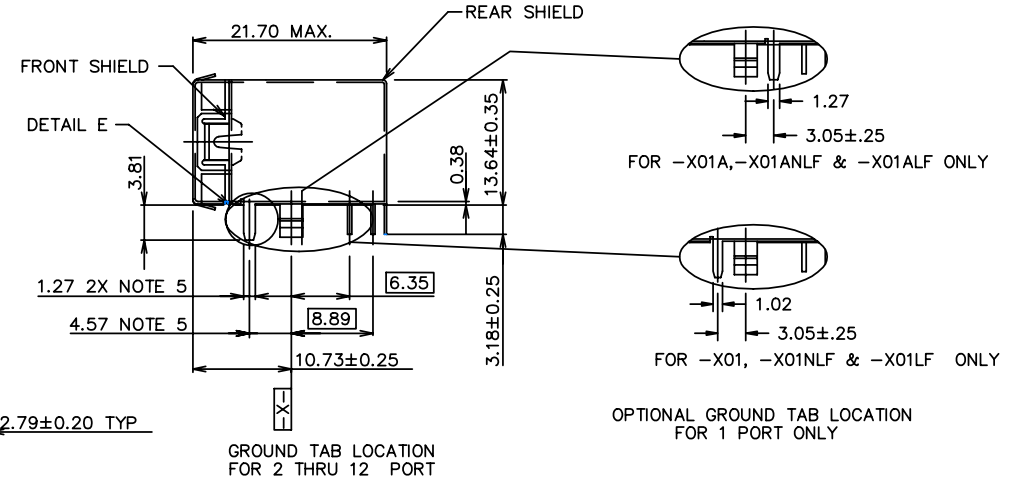


Tous droits strictement réservés. Reproduction ou communication a des tiers Int sous quelque forme que ce soit sans autorisation écrite du propriétaire. Property of C BERG ELECTRONICS. Copyright BERG ELECTRONICS by
 All rights strictly reserved. Reproduction or issue to third parties in any for whatever is not permitted without written authority from the proprietor. Property of C BERG ELECTRONICS. Copyright BERG ELECTRONICS by

PRODUCT NO.
SEE TABLE



THIS VIEW ONLY FOR 95678-X0100/LF
WITH FRONT TONGUE
NO GROUNDING TABS AND PEGS



mat'l code		tolerance unless otherwise specified		CUSTOMER COPY		FCJ www.fcconnect.com	
rev	ecn no.	dr	date	linear	.0 ± 0.3	projection	title
H	v91501	CGC	6/30/99		.00 ± 0.13		R/A CAT 5 GANG JACK ASSY
J	v03-1103	PJ	10/23/03		.000 ± 0.05		8 POS SHIELDED SNAP PEG
K	N04-0101	MHT	1/12/05	angles	$\pm 2^\circ$	product family	MDJ JACK
L	N06-0225	LONG	8/25/06	dr	LPOTTIEGER 8/30/95	unit	code
M	N06-0289	LONG	12/06/06	eng	Y.BELOPOLSKY 8/30/95	mm	213
N	N08-0100	SH	09/25/08	chr	Y.BELOPOLSKY 8/30/95	scale	sheet
				app	Y.BELOPOLSKY 8/30/95	1/1	1 OF 7
sheet	revision	M	L	J	K	J	K
index	sheet	1	2	3	4	5	6

All rights strictly reserved. Reproduction or issue to third parties in any form without written authority from the proprietor. Property of c BERG ELECTRONICS. Copyright BERG ELECTRONICS by
 Tous droits strictement réservés. Reproduction ou communication a des tiers int sous quelque forme que ce soit sans autorisation écrite du propriétaire. Propriété de c BERG ELECTRONICS. Droits de reproduction BERG ELECTRONICS by

PRODUCT NO	PORTS NO	DIA A $\begin{smallmatrix} +.60 \\ -.00 \end{smallmatrix}$	DIM B	DIM C ± 0.10	DIM D ± 0.15	GROUND LEG NUMBER ON THE BACK (VIEW B)
95678-X01 95678-X01LF 95678-X01NLF	1	15.74	-	5.715	11.43	SEE DIAGRAM ON SHT. 3
95678-X0100 95678-X0100LF	1	15.74	-	5.715	11.43	
95678-X01A 95678-X01ALF 95678-X01ANLF	1	15.74	-	5.715	11.43	
95678-X02YZ 95678-X02YZLF 95678-X02NYZLF	2	30.98	13.97	12.700	25.40	
95678-X03YZ 95678-X03YZLF 95678-X03NYZLF	3	44.95	27.94	19.685	39.37	
95678-X04YZ 95678-X04YZLF 95678-X04NYZLF	4	58.92	41.91	26.670	53.34	
95678-X05YZ 95678-X05YZLF 95678-X05NYZLF	5	72.89	55.88	33.655	67.31	
95678-X06YZ 95678-X06YZLF 95678-X06NYZLF	6	86.86	69.85	40.640	81.28	
95678-X07YZ 95678-X07YZLF 95678-X07NYZLF	7	100.83	83.82	47.625	95.25	
95678-X08YZ 95678-X08YZLF 95678-X08NYZLF	8	114.80	97.79	54.610	109.22	
95678-X09YZ 95678-X09YZLF 95678-X09NYZLF	9	128.77	111.76	61.595	123.19	
95678-X10YZ 95678-X10YZLF 95678-X10NYZLF	10	142.74	125.73	68.580	137.16	
95678-X11YZ 95678-X11YZLF 95678-X11NYZLF	11	156.71	139.70	75.565	151.13	
95678-X12YZ 95678-X12YZLF 95678-X12NYZLF	12	170.68	153.67	82.550	165.10	

NOTE 5

NOTE 5

NOTES:


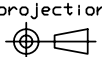
1. RECOMMENDED P.C.B THICKNESS 1.60 MM.
2. HOUSING MAT'L: HIGH TEMP RESIN.
3. CONTACTS: PHOS BRONZE ALLOY UNS-C51000, ϕ 0.460 ROUND WIRE, PLATING SEE TABLE.
- ④ SHIELD MATL: BRASS ALLOY, .25 MM THICK. SHIELD PLATING:
 -FOR 95678-X01 THRU 95678-X12YZ BRIGHT TIN LEAD, 100u"MIN OVER NICKEL.
- LEAD FREE OPTION:
 -FOR 95678-X01NLF THRU 95678-X12NYZLF NICKEL, 30u"MIN WITH SELECTIVE TIN ON SOLDER TAILS. SEE DETAIL E.
 -FOR 95678-X01LF THRU 95678-X12YZLF BRIGHT PURE TIN, 80u"MIN OVER NICKEL.
- ⑤ SEE SIDE VIEW ON SHT. 1 FOR DETAILS.
6. ALL DIMENSIONS IN MILLIMETER.
- ⑦ COMPANY LOGO LOCATED IN THIS AREA.
8. PART NUMBERS WITH LF IN THE END ARE LEAD FREE.
9. LEAD FREE STATEMENT: THIS PRODUCT MEETS EUROPEAN UNION DIRECTIVES AN OTHER COUNTRY REGULATION AS DESCRIBED IN GS-22-008.
10. THE HOUSING TEMPERATURE WITHSTAND EXPOSURE TO 260°C PEAK TEMPERATURE FOR 15 SECONDS IN A WAVE SOLDER APPLICATION WITH A 1.5 MM MINIMUM THICK CIRCUIT BOARD. SEE APPLICATION NOTES/PROCEDURES IF THEY ARE AVAILABLE.
- ⑩ EQUIVALENT THICKNESS Au AND GXT PLATING HAVE SAME FUNCTION AND THEY ARE ALTERNATIVE BY THE CUSTOEMR .

PLATING CODE X	PLATING
0	30u" G.X.T.
1	15u" GOLD.
3	30u" GOLD.
5	50u" GOLD.

FRONT SHIELD CODE Y
0 = STANDARD GRND. TABS
1 = NO GRND. TABS

REAR SHIELD CODE Z
0 = STANDARD GRND. LEGS
1 = 1 GRND. LEG
2 = ALL GRND. LEGS
3 = NO GRND. LEGS

NOTE: PLEASE CHECK FOR AVAILABILITY, NOT ALL OPTIONS AVAILABLE.

mat'l code	tolerance unless otherwise specified	CUSTOMER COPY	 www.fcconnect.com
rev/ecn no. dr date	linear .0 \pm 0.3 .00 \pm 0.13 .000 \pm 0.05	projection	title
N	angles \pm 2°		R/A CAT 5 GANG JACK ASSY 8 POS SHIELDED SNAP PEG
	dr L.POTTIEGER 8/30/95	unit	product family: MDD JACK
	engr Y.BELOPOLSKY 8/30/95	mm	code 213
	chr Y.BELOPOLSKY 8/30/95	scale	size/dwg no.
	appd Y.BELOPOLSKY 8/30/95	1/1	95678
sheet revision			sheet 2 OF 7
index sheet			

Tous droits strictement réservés. Reproduction ou communication à des tiers interdite sans la permission écrite de la propriété de C. BERG ELECTRONICS. All rights strictly reserved. Reproduction or communication to third parties without written authority from the proprietor. Property of C. BERG ELECTRONICS. Copyright BERG ELECTRONICS by



All rights strictly reserved. Reproduction or issue to third parties in any form without written authority from the proprietor. Property of C. BERG ELECTRONICS. Copyright BERG ELECTRONICS by

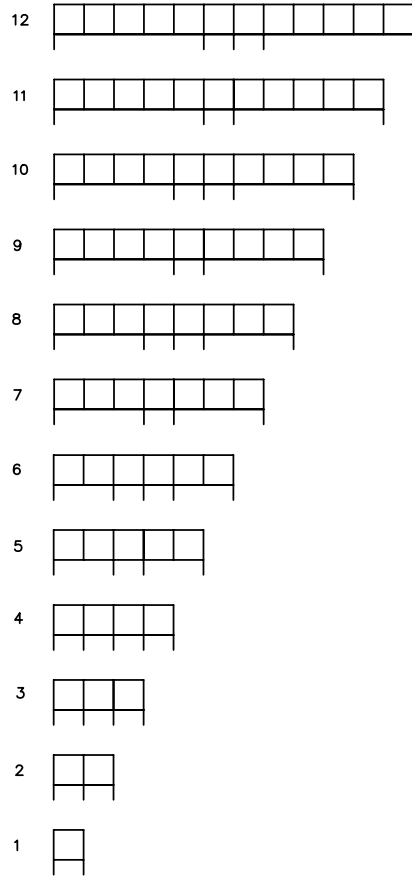
REAR SHIELD (VIEWED FROM PLUG ENTRY SIDE)
GROUND SOLDER TAIL CONFIGURATION

CODE "Z" = 0

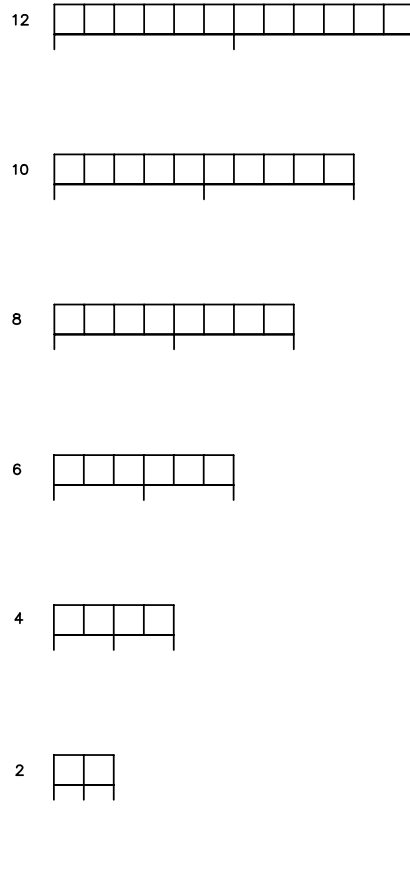
CODE "Z" = 1

CODE "Z" = 2

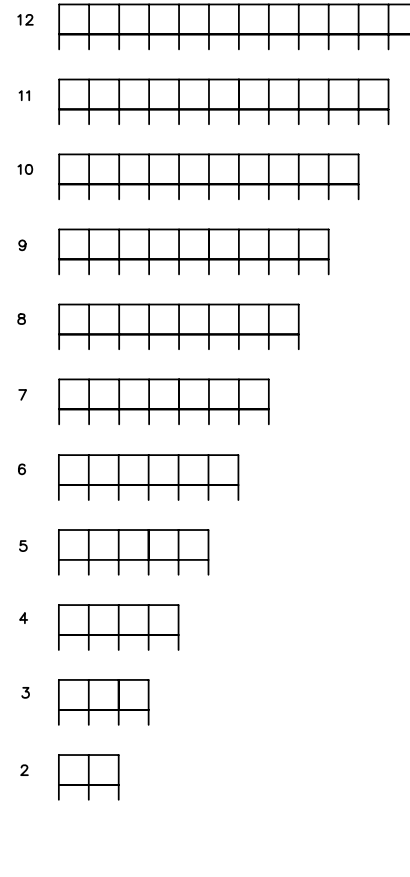
CODE "Z" = 3



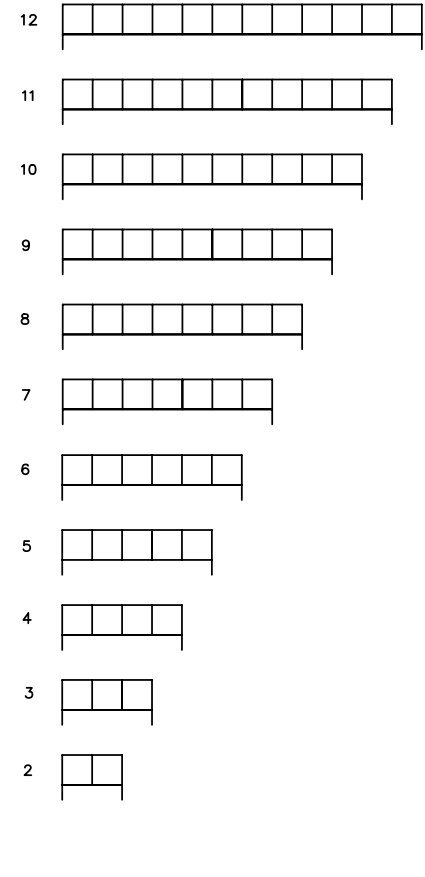
PCB LAYOUT SHEET 4



PCB LAYOUT SHEET 5



PCB LAYOUT SHEET 6



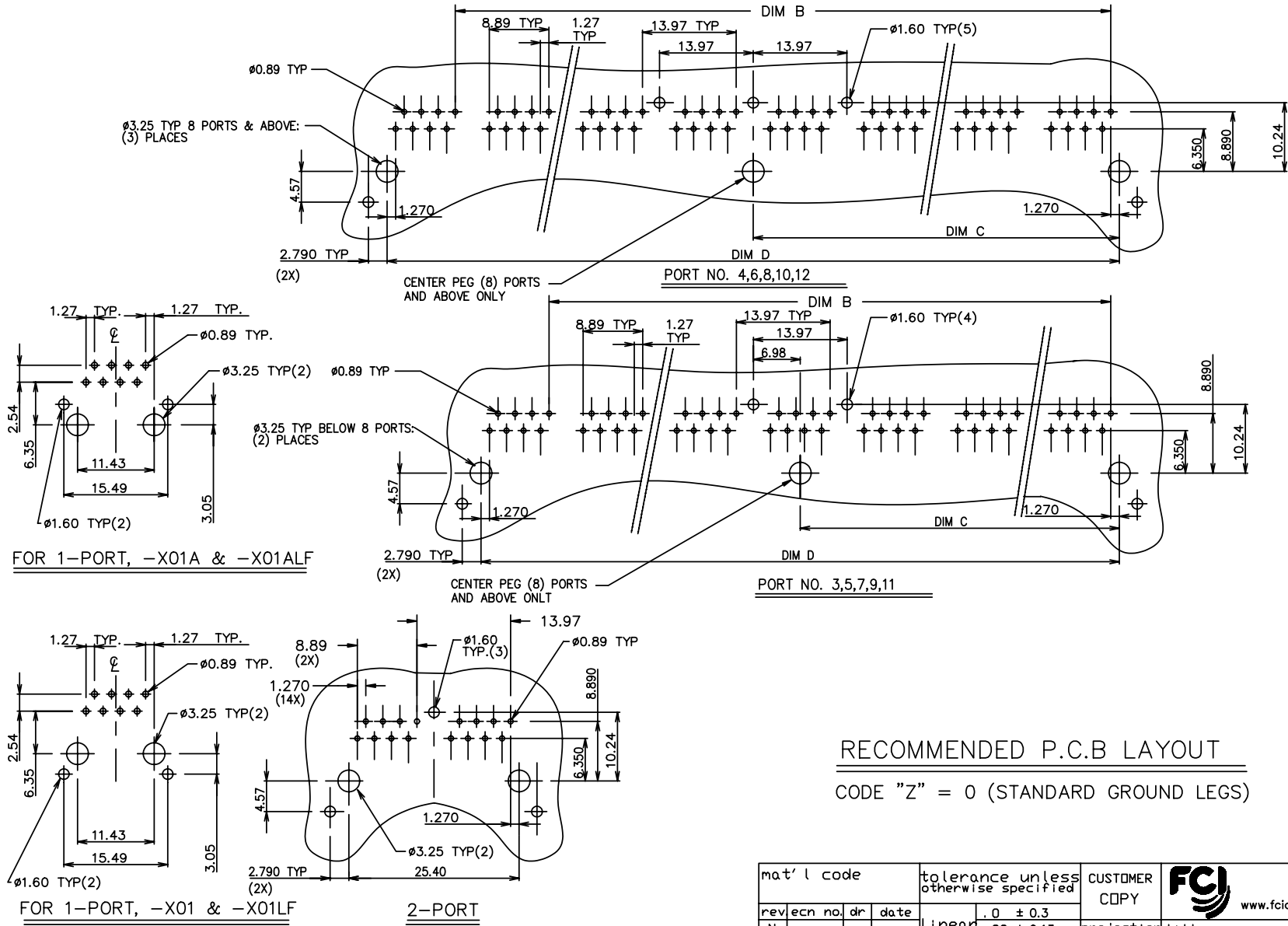
PCB LAYOUT SHEET 7

mat'l code		tolerance unless otherwise specified		CUSTOMER COPY	www.fcconnect.com	
rev	ecn no.	dr	date	linear	projection	title
N				.0 ± 0.3		R/A CAT 5 GANG JACK ASSY
				.00 ± 0.13		8 POS SHIELDED SNAP PEG
				.000 ± 0.05		
				angles ± 2°	unit	product family: MDD JACK
				dr L.POTTIEGER 8/30/95	mm	code 213
				engr Y.BELOPOLSKY 8/30/95	scale	size dwg no.
				chr Y.BELOPOLSKY 8/30/95	1/1	95678
				appo Y.BELOPOLSKY 8/30/95		sheet 3 OF 7
sheet	revision					
index	sheet					

Tous droits strictement réservés. Reproduction ou communication à des tiers sans autorisation écrite du propriétaire.
 All rights strictly reserved. Reproduction or communication to third parties without written authority from the proprietor.
 Copyright © BERG ELECTRONICS BV.
 Droits de reproduction BERG ELECTRONICS BV.



All rights strictly reserved. Reproduction or issue to third parties in any form without written authority from the proprietor.
 Copyright © BERG ELECTRONICS BV.

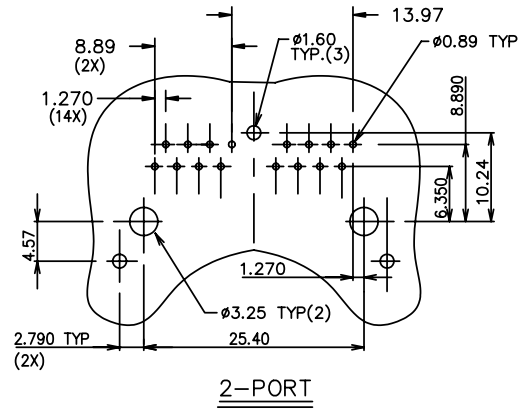
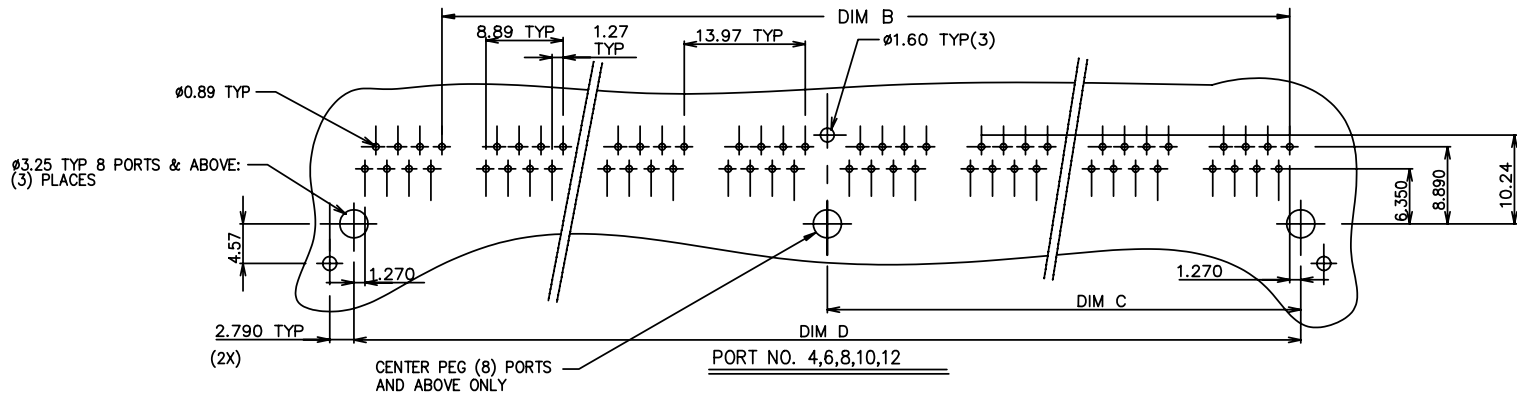


RECOMMENDED P.C.B LAYOUT
 CODE "Z" = 0 (STANDARD GROUND LEGS)

mat'l code		tolerance unless otherwise specified		CUSTOMER COPY	www.fciconnect.com	
rev	ecn no.	dr	date	linear	.00 ± 0.3	projection
N				angles	.00 ± 0.13	
					.000 ± 0.05	title
					± 2'	R/A CAT 5 GANG JACK ASSY
				dr	L.POTTIEGER 8/30/95	8 POS SHIELDED SNAP PEG
				engr	Y.BELOPOLSKY 8/30/95	unit
				chr	Y.BELOPOLSKY 8/30/95	mm
				app	Y.BELOPOLSKY 8/30/95	scale
					1/1	A
sheet	revision					product family: MOD JACK
index	sheet					code
						213
						sheet
						4 OF 7

Tous droits strictement reserves. Reproduction ou communication a des tiers int sous quelque forme que ce soit sans autorisation ecrite du proprietaire. Property of c BERG ELECTRONICS. Property of c BERG ELECTRONICS. Droits de reproduction BERG ELECTRONICS by

ALL rights strictly reserved. Reproduction or issue to third parties in any for whatever is not permitted without written authority from the proprietor. Property of c BERG ELECTRONICS. Property of c BERG ELECTRONICS. Copyright BERG ELECTRONICS by



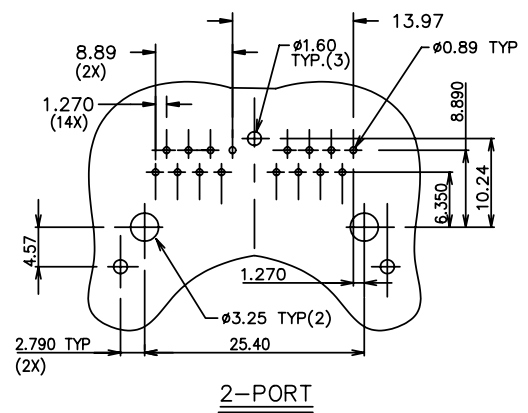
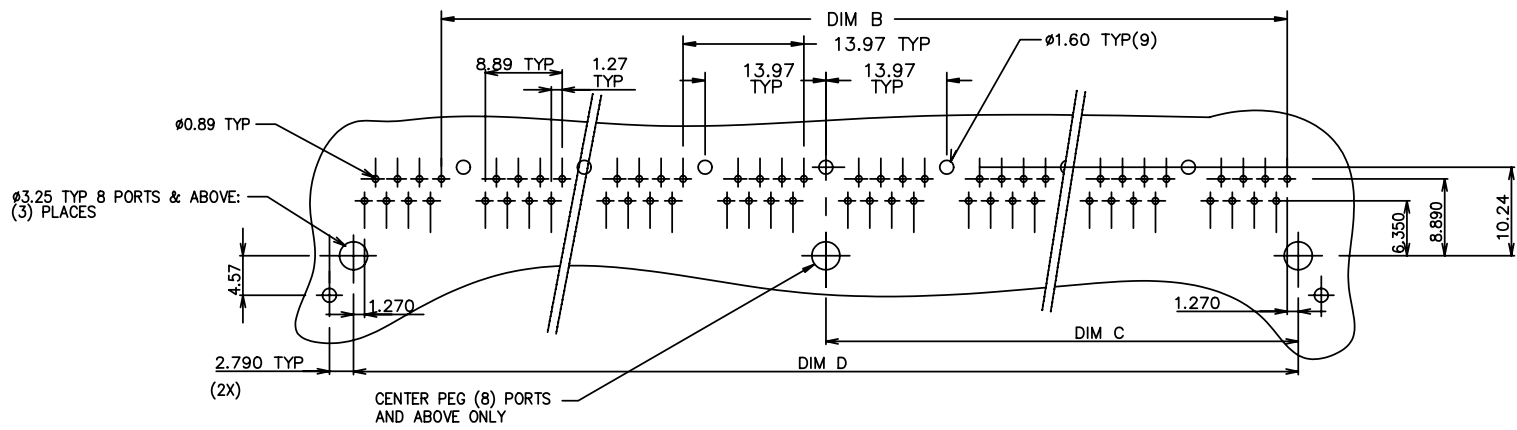
RECOMMENDED P.C.B LAYOUT
 CODE "Z" = 1 (1 GROUND LEG)

mat'l code		tolerance unless otherwise specified		CUSTOMER COPY	www.fcjconnect.com
rev	ec'n no.	dr	date	linear	
N				.0 ± 0.3	
				.00 ± 0.13	title
				.000 ± 0.05	R/A CAT 5 GANG JACK ASSY
				angles ± 2'	8 POS SHIELDED SNAP PEG
				dr LPOTTIEGER 8/30/95	unit
				enrg.Y.BELOPOLSKY 8/30/95	mm
				chr Y.BELOPOLSKY 8/30/95	scale
				appd.Y.BELOPOLSKY 8/30/95	1/1
sheet	revision				product family: MOD JACK
index	sheet				code
					213
					sheet
					5 OF 7

Tous droits strictement réservés. Reproduction ou communication à des tiers interdite sans autorisation écrite du propriétaire. Propriété de c BERG ELECTRONICS. Droits de reproduction BERG ELECTRONICS by



All rights strictly reserved. Reproduction or issue to third parties in any form without written authority from the proprietor. Property of c BERG ELECTRONICS. Copyright BERG ELECTRONICS by



(SAME AS STANDARD CODE "Z"=0)

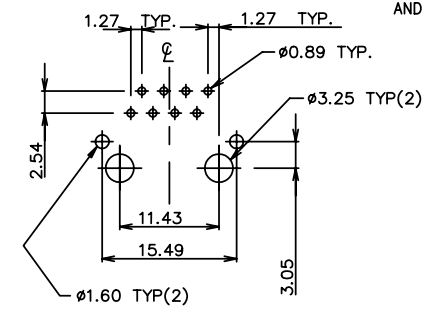
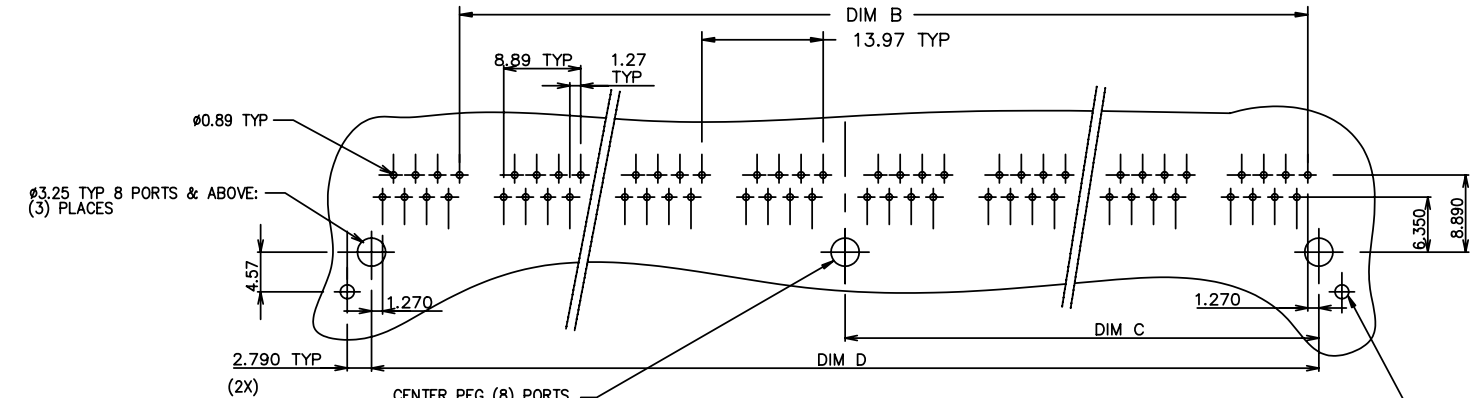
RECOMMENDED P.C.B LAYOUT
CODE "Z" = 2 (ALL GROUND LEGS)

mat'l code		tolerance unless otherwise specified		CUSTOMER COPY	www.fcjconnect.com
rev	ecn no.	dr	date	linear	
N				.00 ± 0.3	
				.000 ± 0.05	
				angles ± 2°	title
				dr LPOTTIEGER 8/30/95	R/A CAT 5 GANG JACK ASSY 8 POS SHIELDED SNAP PEG
				engr Y.BELOPOLSKY 8/30/95	
				chr Y.BELOPOLSKY 8/30/95	product family: MOD JACK
				appd Y.BELOPOLSKY 8/30/95	code
				scale 1/1	213
				unit mm	sheet
				size	6 OF 7
				A	95678
sheet	revision				
index	sheet				

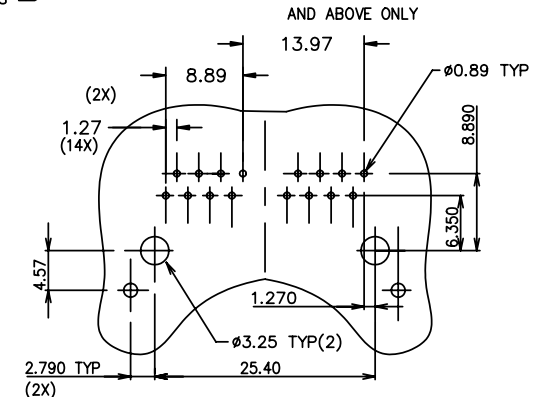
Tous droits strictement réservés. Reproduction ou communication à des tiers sans autorisation écrite du propriétaire. Property of c BERG ELECTRONICS. Copyright BERG ELECTRONICS by



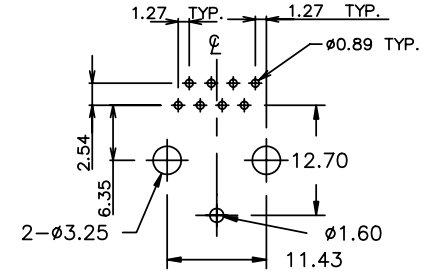
All rights strictly reserved. Reproduction or issues to third parties in any form without written authority from the proprietor. Property of c BERG ELECTRONICS. Copyright BERG ELECTRONICS by



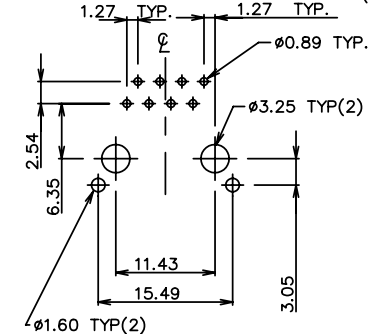
FOR 1-PORT, -X01A & -X01ALF
SAME AS STD CODE "Z"=0



2-PORT



ONLY FOR 95678-X0100/LF
PCB RECOMMENDED LAYOUT



FOR 1-PORT, -X01 & -X01LF
SAME AS STD CODE "Z"=0

RECOMMENDED P.C.B LAYOUT
CODE "Z" = 3 (NO GROUND LEGS)

mat'l code		tolerance unless otherwise specified		CUSTOMER COPY	www.fciconnect.com
rev	ecn no.	dr	date	linear	
N				.00 ± 0.3	
				.000 ± 0.13	title
				angles ± 2°	R/A CAT 5 GANG JACK ASSY
				dr L.POTTIEGER 8/30/95	8 POS SHIELDED SNAP PEG
				engr Y.BELOPOLSKY 8/30/95	product family: MOD JACK
				chr Y.BELOPOLSKY 8/30/95	code 213
				appd Y.BELOPOLSKY 8/30/95	scale 1/1
					sheet 7 OF 7
					size dwg no. 95678
sheet	revision				
index	sheet				