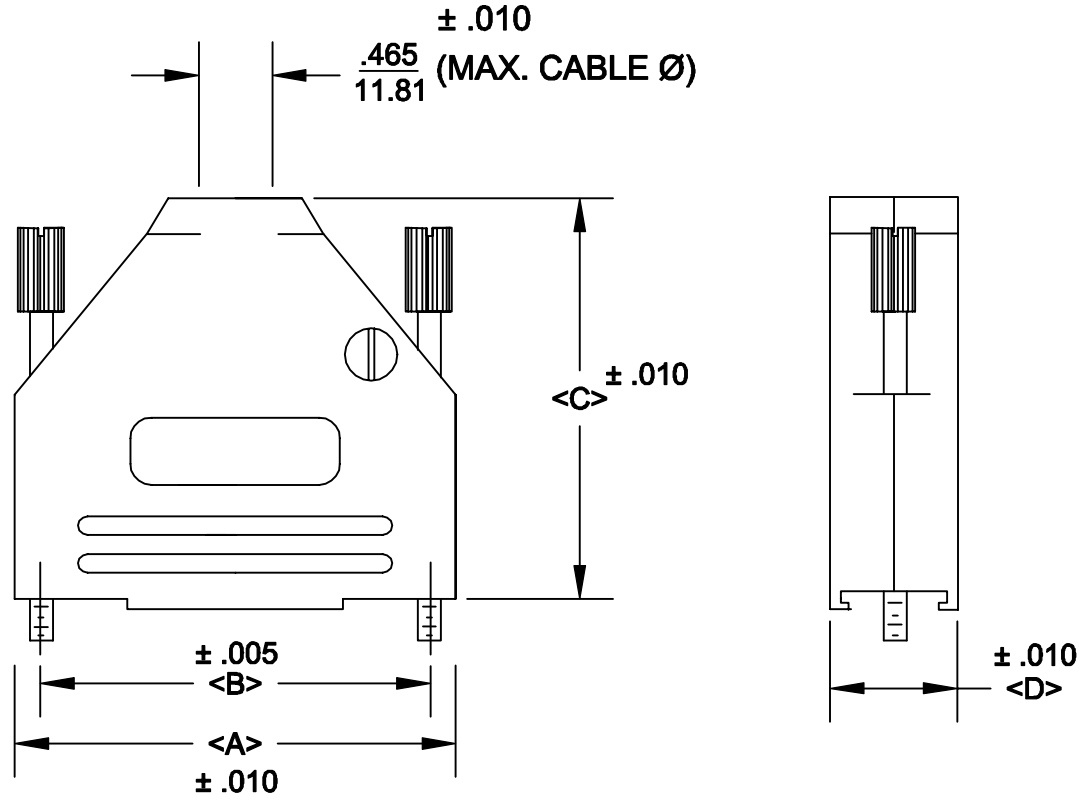


DESCRIPTION: **970 SERIES D-SUB BACKSHELL**

BACKSHELL KIT INCLUDES:

- (2) BACKSHELL HALVES
- (2) 4-40 THUMBSCREWS
- (2) HOUSING SCREWS
- (1) COMPRESSION RING-VARIOUS SIZES



970-XXX-XXX-XX1

SERIES _____

POSITIONS _____

009

015

025

037

MATERIAL _____

010 = PLASTIC

020 = METALIZED PLASTIC

030 = ZINC

040 = DIE CAST(BLACK CHROMATE)

COLOR: _____

01 = BLACK

12 = NICKEL OVER COPPER


PUT-UPS _____

1 = KIT

POS.	A	B	C	D
9	1.228	.984	1.571	.610
	31.19	24.99	39.90	15.50
15	1.555	1.312	1.634	.610
	39.50	33.32	41.50	15.50
25	2.102	1.852	1.913	.610
	53.39	47.04	48.59	15.50
37	2.744	2.500	2.110	.610
	69.70	63.50	53.59	15.50

MATERIAL: DIE-CAST ZINC ALLOY
PLATING: NICKEL OVER COPPER OR BLACK CHROMATE

METALIZED PLASTIC AND PLASTIC: HIGH TEMPERATURE ABS U.L.94HB - AVAILABLE 1999

	THESE DRAWINGS AND SPECIFICATIONS ARE THE PROPERTY OF NorComp AND SHALL NOT BE REPRODUCED, COPIED OR USED AS THE BASIS FOR THE MANUFACTURE OR SALE OF APPARATUS WITHOUT WRITTEN PERMISSION.		DRAWN: PAM JENKINS	DATE: 7-30-98
				CHECKED:
<h1>NorComp</h1>		SCALE	SHEET OF	REV 2
		DWG NO. 970 -XXX-0X0-XX1		