

ULTRA MINIATURE CERAMIC SMD CRYSTAL



ABM12

1.6 x 1.2 x 0.45mm



RoHS
Compliant

ABM12

FEATURES:

- Suitable for RoHS reflow profile
- Available tight tolerance and stability
- Electron beam sealed ceramic package assures high precision and reliability
- Smallest package size in industry
1.6 x 1.2 x 0.46mm

APPLICATIONS:

- Blue-tooth, Wireless applications
- Computers, Modems, Microprocessors
- Communication, Test equipment
- High density applications
- PCMCIA
- Portable radios and MP3 players

STANDARD SPECIFICATIONS:

PARAMETERS

ABRACON P/N:	ABM12 Series
Frequency range:	26.000 MHz to 80.000 MHz
Standard Frequencies:	26.000, 32.000, and 36.000 MHz (Contact Abracon for other frequencies)
Operation mode:	Fundamental
Operating temperature:	- 10 °C to + 50 °C (see options)
Storage temperature:	- 40 °C to + 85 °C
Frequency tolerance*:	± 50 ppm max. (see options)
Frequency stability over the operating temperature (Ref to +25° C)*:	± 50 ppm max. (see options)
Equivalent series resistance:	see Table 1
Shunt capacitance C0:	5 pF max.
Load capacitance CL:	8 pF (see options)
Drive level:	100 µW max.
Aging @ 25° C per year:	± 5 ppm max.
Insulation resistance:	500 MΩ min. with 100Vdc ± 15Vdc

(Note)*: Tolerance and Temp stability do not include Mechanical, Environmental, and Aging frequency shift.

TABLE 1- Standard ESR

Frequency (MHz)	ESR(Ω) max
26.00000 - 30.00000	150
30.00001 - 80.00000	100

OPTIONS & PART IDENTIFICATION:

(Left blank if standard)

ABM12 - [] MHz - [] - R [] - [] [] [] - []

Frequency in MHz
e.g. 24.576MHz
14.31818MHz
26.000MHz

Load Capacitance
Blank : 8pF
5: 5pF
6: 6pF
7: 7pF

Contact Abracon for other values.

ESR if other than STD
See table 1

Operating Temp.
Blank: -10°C ~ +50°C
A: -10°C ~ +60°C
B: -20°C ~ +70°C
D: -40°C ~ +85°C

Freq. Tolerance
Blank: ± 50 ppm
7: ± 15 ppm
2: ± 20 ppm
4: ± 30 ppm

Packaging
Blank: Bulk
T: 1000pcs/reel
T3: 3000pcs/reel*

* T3 is standard for volume production orders.

Freq. Stability
Blank: ± 50 ppm (*)
U: ± 10 ppm (*)
G: ± 15 ppm (**)
X: ± 20 ppm (***)
Y: ± 30 ppm
Q: ± 100 ppm

(*) 0° to +50°C only
 (**) -10° to +60°C and -0° to +50°C
 (***) -20° to +70°C, -10° to +60°C, and -0° to +50°C

ABRACON IS
ISO9001:2008
CERTIFIED



ABRACON
CORPORATION

Visit www.abracon.com for Terms & Conditions of Sale **Revised: 07.26.10**
 30332 Esperanza, Rancho Santa Margarita, California 92688
 tel 949-546-8000 | fax 949-546-8001 | www.abracon.com

ULTRA MINIATURE CERAMIC SMD CRYSTAL



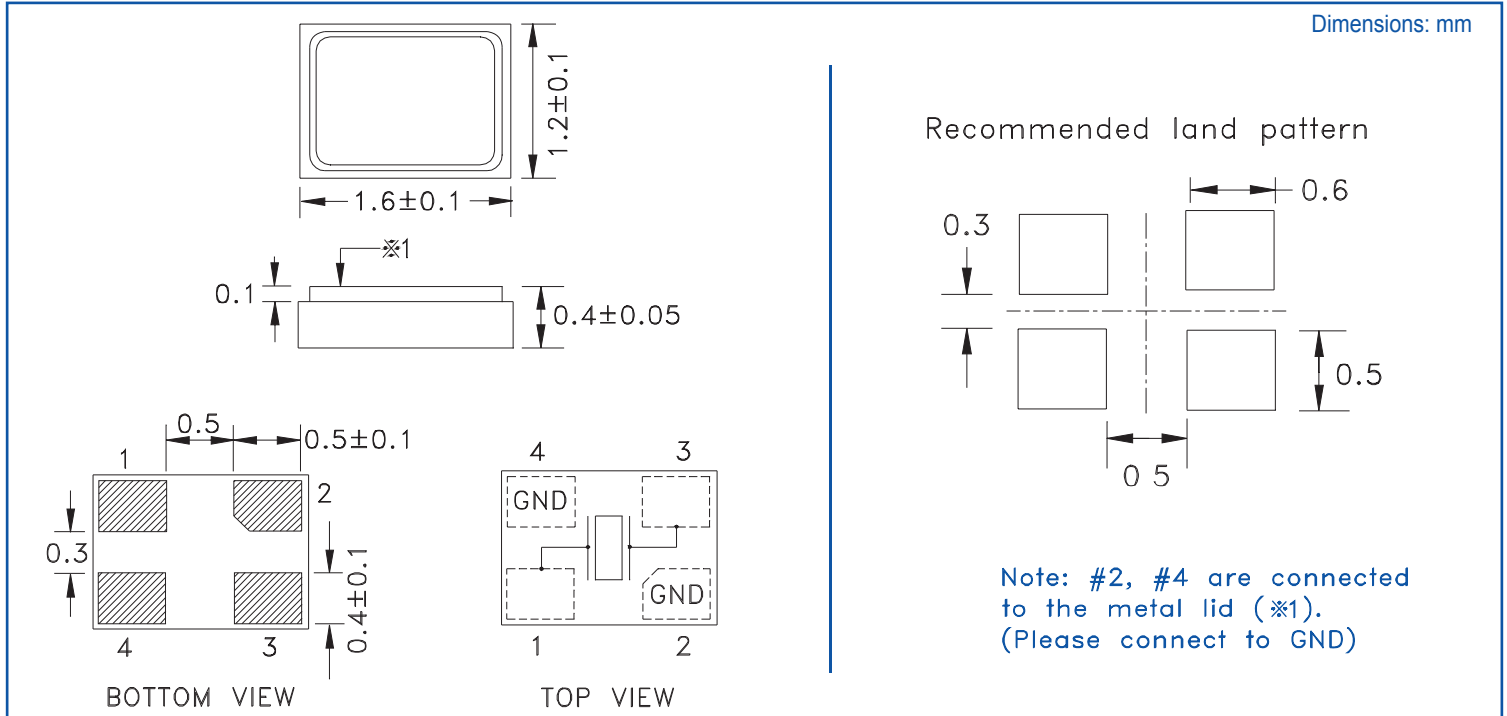
1.6 x 1.2 x 0.4 mm

ABM12

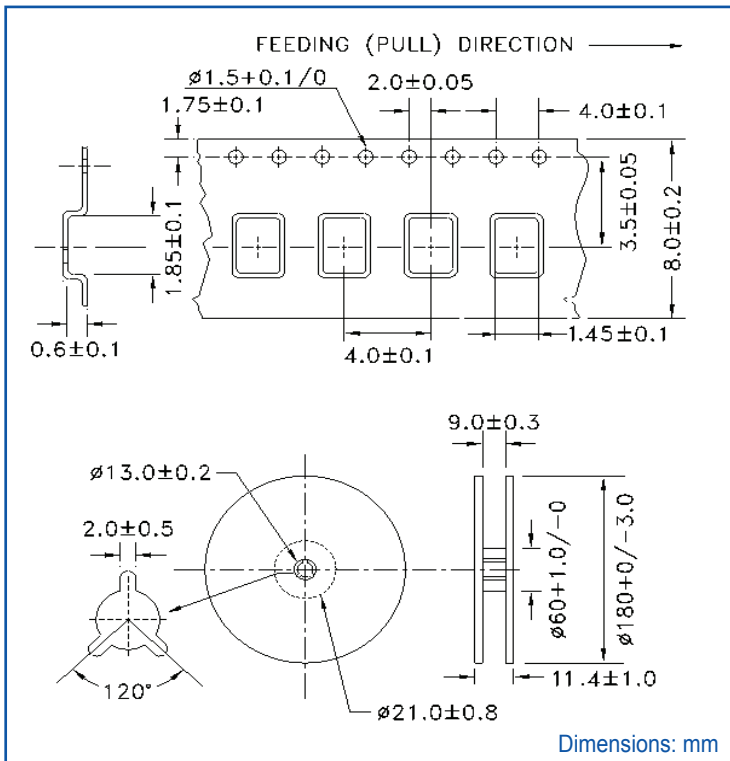


RoHS
Compliant

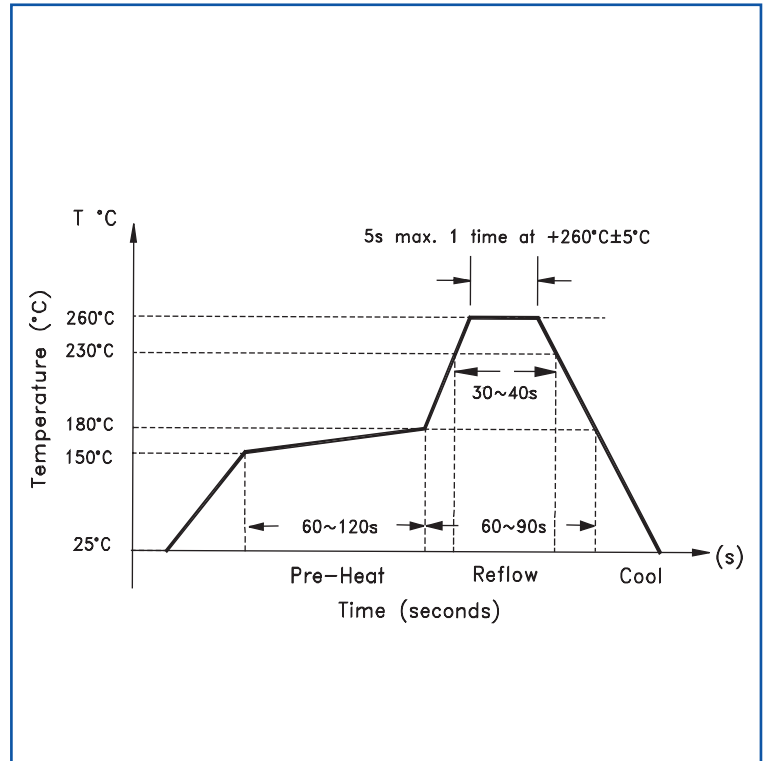
OUTLINE DRAWING:



TAPE & REEL:



REFLOW PROFILE:



Need a test socket for the ABM12 Series? To view compatible **PRECISION TEST & BURN-IN SOCKETS** for these parts, [click here](#). P/N AXS-1612-04-01C

ATTENTION: Abracon Corporation's products are COTS – Commercial-Off-The-Shelf products; suitable for Commercial, Industrial and, where designated, Automotive Applications. Abracon's products are not specifically designed for Military, Aviation, Aerospace, Life-dependant Medical applications or any application requiring high reliability where component failure could result in loss of life and/or property. For applications requiring high reliability and/or presenting an extreme operating environment, written consent and authorization from Abracon Corporation is required. Please contact Abracon Corporation for more information.

ABRACON IS
ISO9001:2008
CERTIFIED



Visit www.abracon.com for Terms & Conditions of Sale **Revised: 07.26.10**
30332 Esperanza, Rancho Santa Margarita, California 92688
tel 949-546-8000 | fax 949-546-8001 | www.abracon.com