

PART NAME

NEMA 4X ENCLOSURE

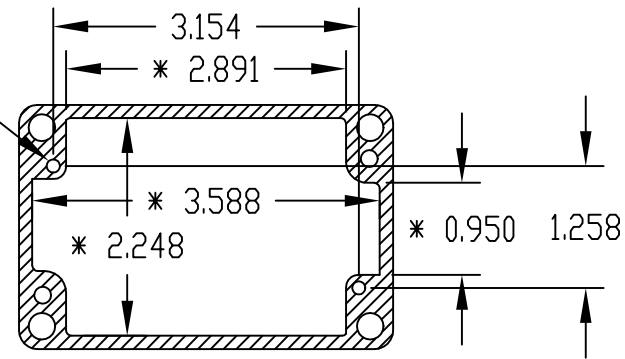
PART No.

AN-1312, AN-1312-G, AN-2812 & AN-2812-B

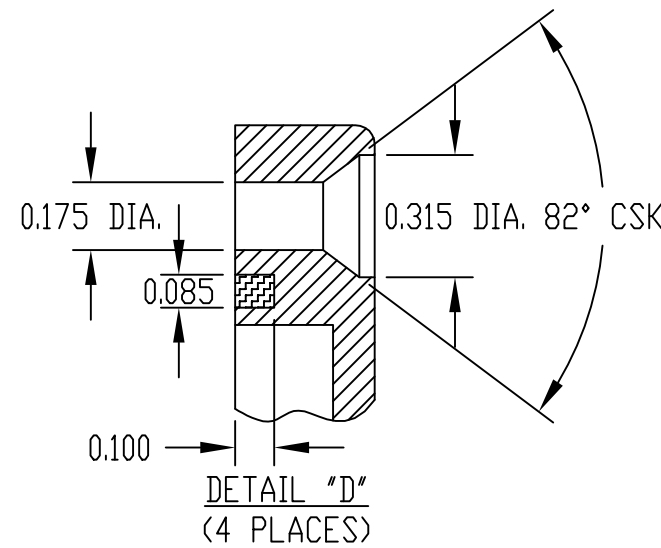
REV. DATE

12-6-07

0.136 DIA. x 0.441 DEEP
(2) PLACES
ACCEPTS M4 x 6mm
SELF-TAPPING SCREW
(NOT SUPPLIED)



SECTION "B-B"
* DIMENSIONS ARE AT
BOTTOM OF ENCLOSURE

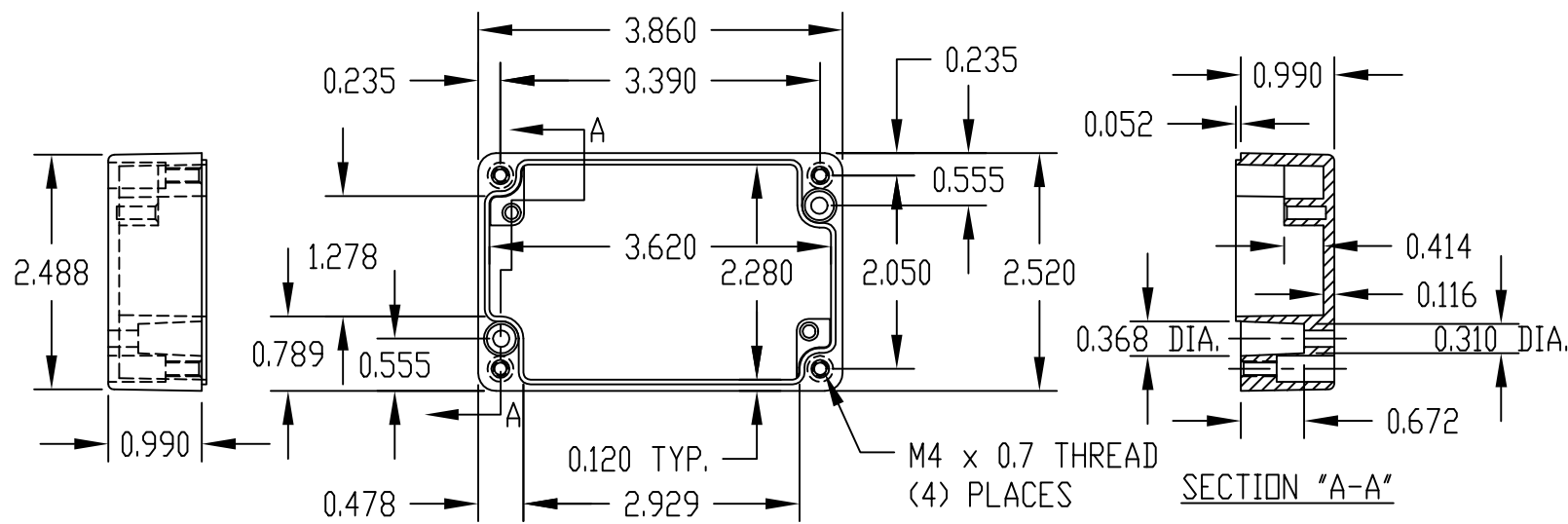


MATERIAL: ALUMINUM ALLOY #ADC-12

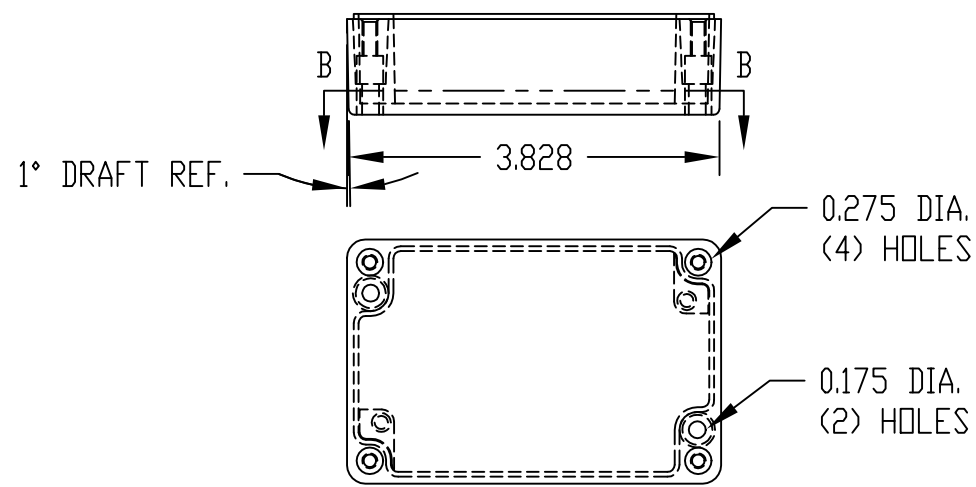
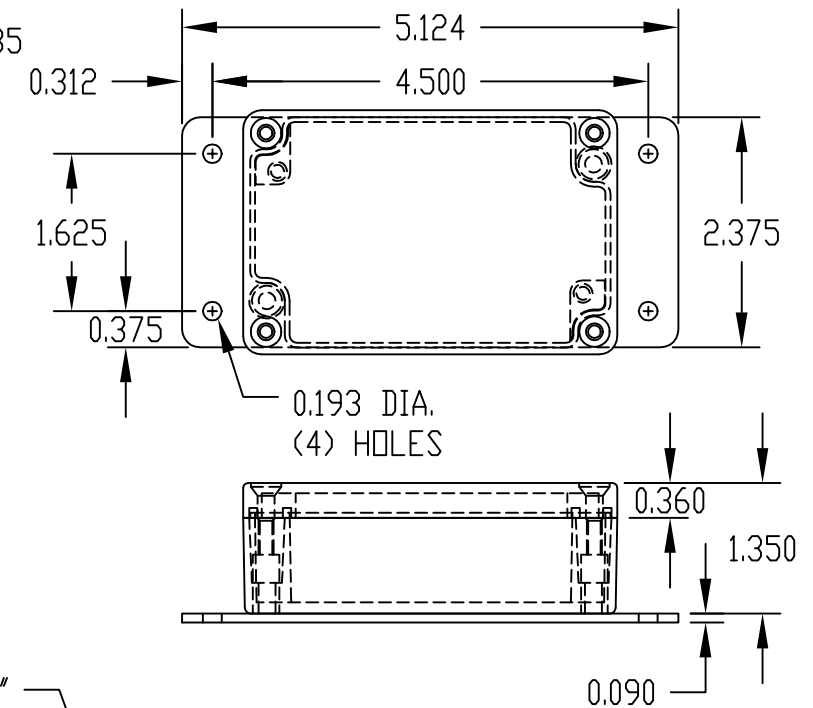
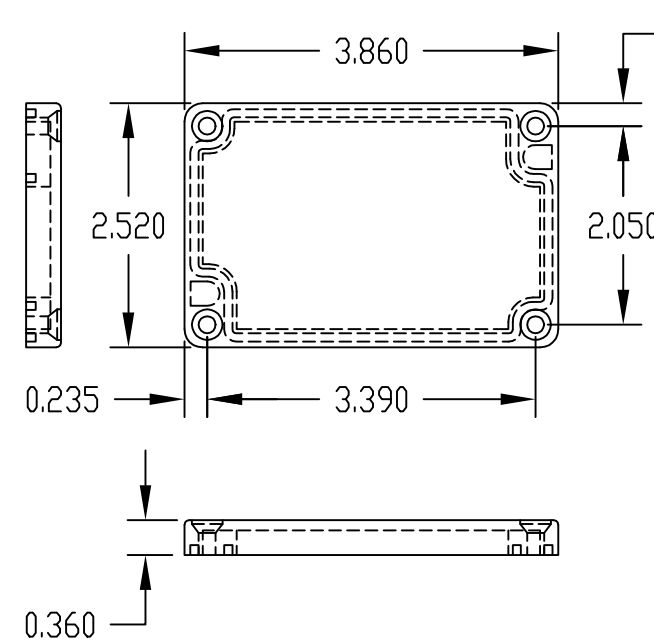
FINISH: NATURAL (NO SUFFIX)
GRAY (SUFFIX -G)
SMOOTH BLACK (SUFFIX -B)

NOTES:

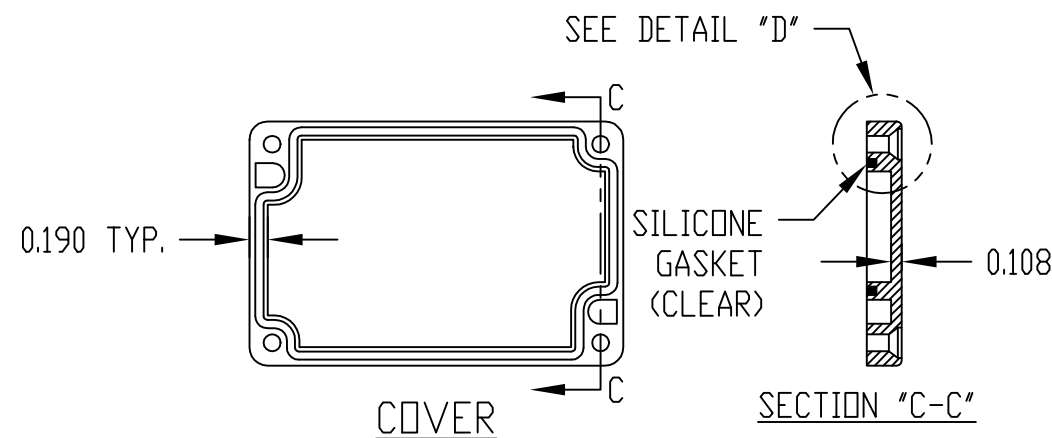
- 1) FOUR (4) M4 x 20mm (0.787") LG. SCREWS SUPPLIED FOR ASSEMBLY OF COVER TO BODY.
- 2) ALL HOLE DIAMETERS HAVE ±0.005 TOLERANCE
ALL OTHER DIMENSIONS HAVE ±0.015 TOLERANCE



SECTION "A-A"



BODY



COVER

PART NO. AN-2812 & AN-2812-B
ARE SUPPLIED WITH A WELDED
ON MOUNTING BRACKET ONLY.