

PART NAME

NEMA 4X ENCLOSURE

PART No.

AN-1314, AN-1314-G, AN-2814 & AN-2814-B

REV. DATE

12-6-07

MATERIAL: ALUMINUM ALLOY #ADC-12

FINISH: NATURAL (NO SUFFIX)

GRAY (SUFFIX -G)

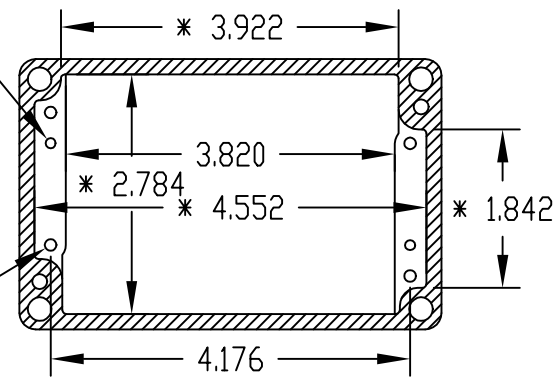
SMOOTH BLACK (SUFFIX -B)

NOTES:

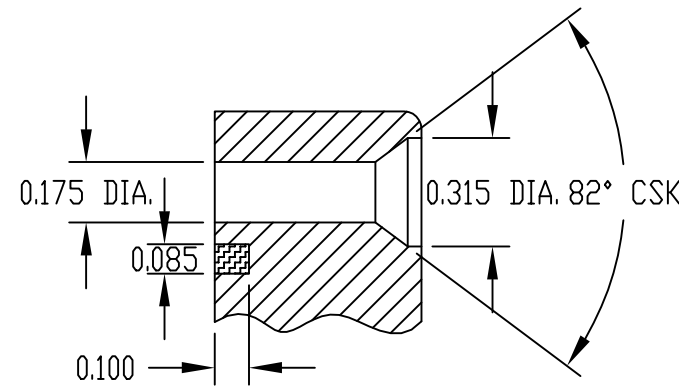
- 1) FOUR (4) M4 x 25mm (0.975") LG. SCREWS SUPPLIED FOR ASSEMBLY OF COVER TO BODY.
- 2) ALL HOLE DIAMETERS HAVE ±0.005 TOLERANCE ALL OTHER DIMENSIONS HAVE ±0.015 TOLERANCE

0.125 DIA. x 0.290 DEEP
(2) PLACES
ACCEPTS M3.5 x 6mm
SELF-TAPPING SCREW
(NOT SUPPLIED)

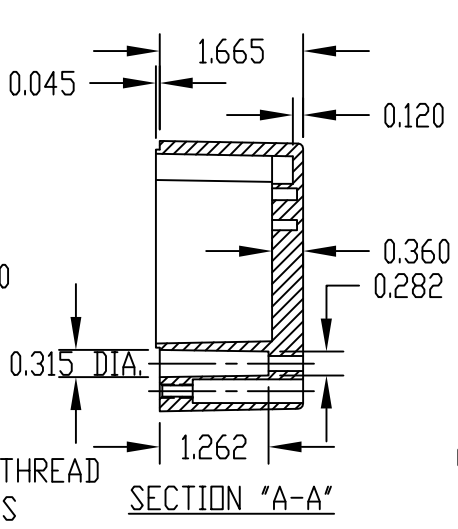
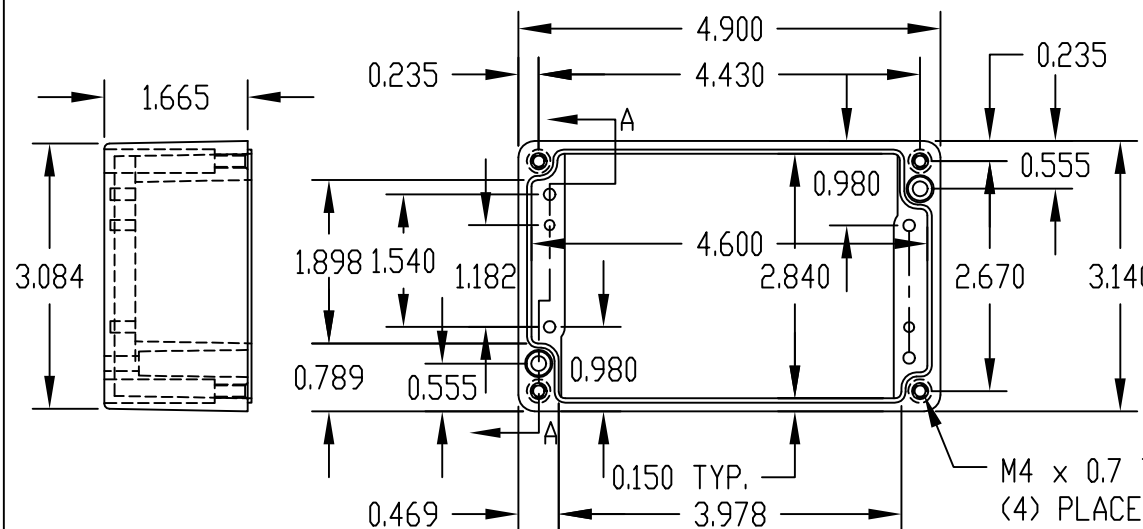
0.136 DIA. x 0.290 DEEP
(4) PLACES
ACCEPTS M4 x 6mm
SELF-TAPPING SCREW
(NOT SUPPLIED)



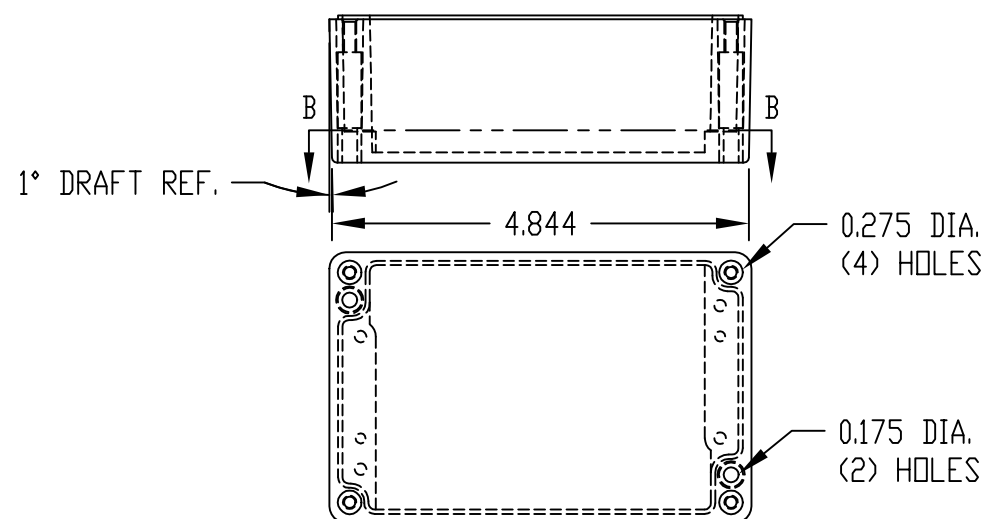
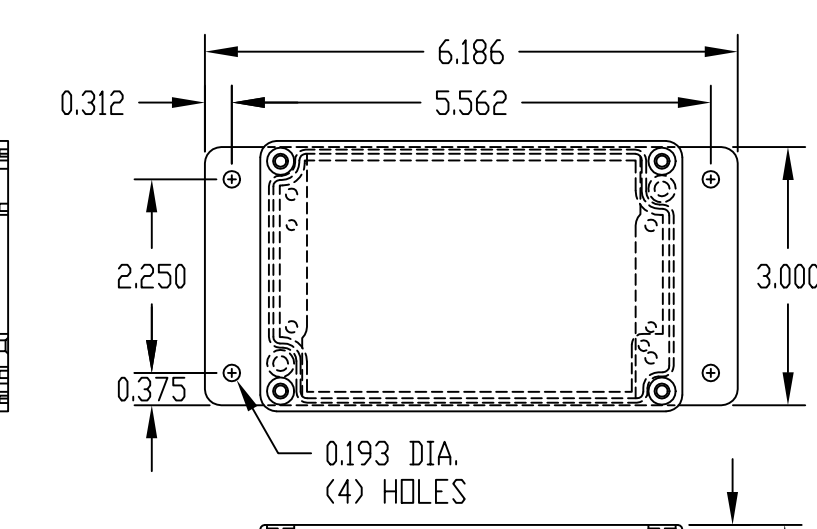
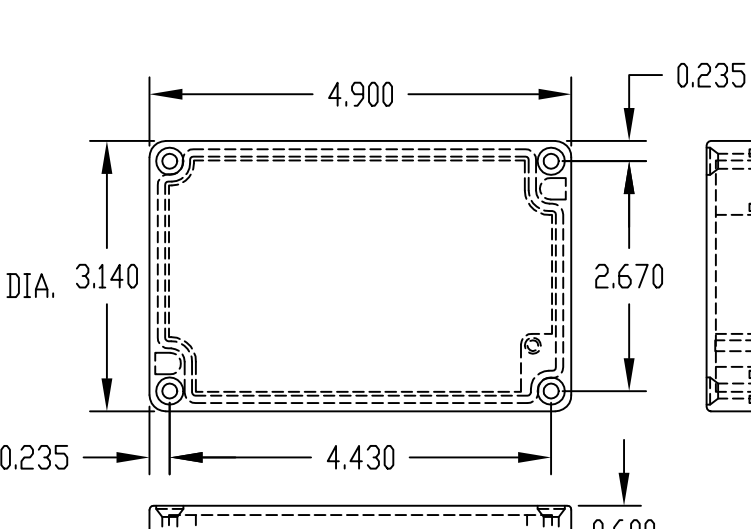
SECTION "B-B"
* DIMENSIONS ARE AT
BOTTOM OF ENCLOSURE



DETAIL "D"
(4 PLACES)

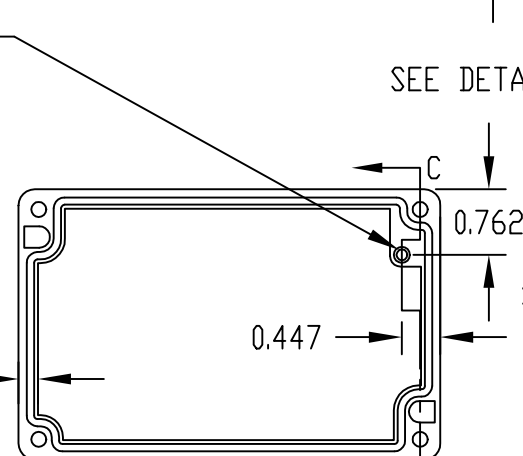


SECTION "A-A"

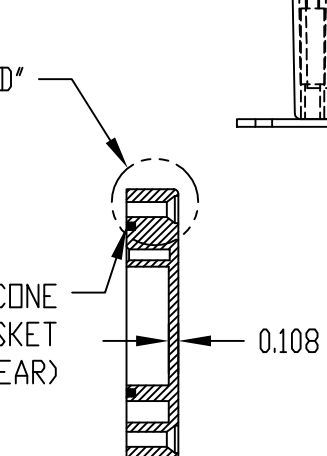


BODY

0.125 DIA. x 0.500 DEEP
(1) PLACE
ACCEPTS M3.5 x 6mm
SELF-TAPPING SCREW
(NOT SUPPLIED)



COVER



SECTION "C-C"

PART NO. AN-2814 & AN-2814-B
ARE SUPPLIED WITH A WELDED
ON MOUNTING BRACKET ONLY.