

PART NAME

NEMA 4X ENCLOSURE

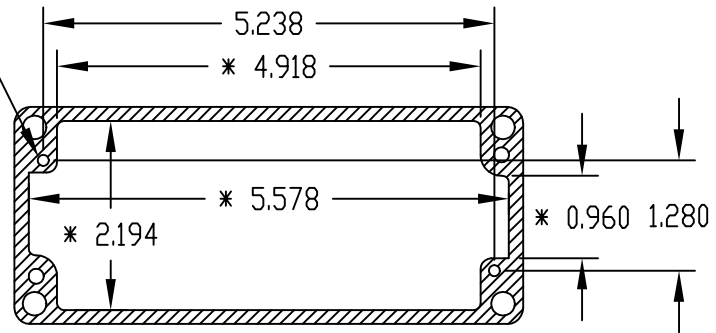
PART No.

AN-1315, AN-1315-G, AN-2815 & AN-2815-B

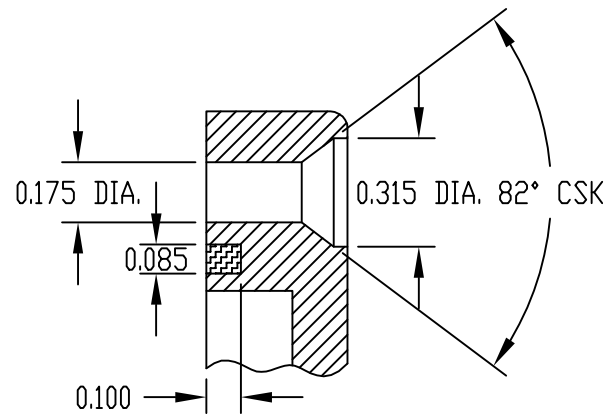
REV. DATE

12-6-07

0.125 DIA. x 0.413 DEEP
(2) PLACES
ACCEPTS M3.5 x 6mm
SELF-TAPPING SCREW
(NOT SUPPLIED)



SECTION "B-B"
* DIMENSIONS ARE AT
BOTTOM OF ENCLOSURE



DETAIL "D"
(4 PLACES)

MATERIAL: ALUMINUM ALLOY #ADC-12

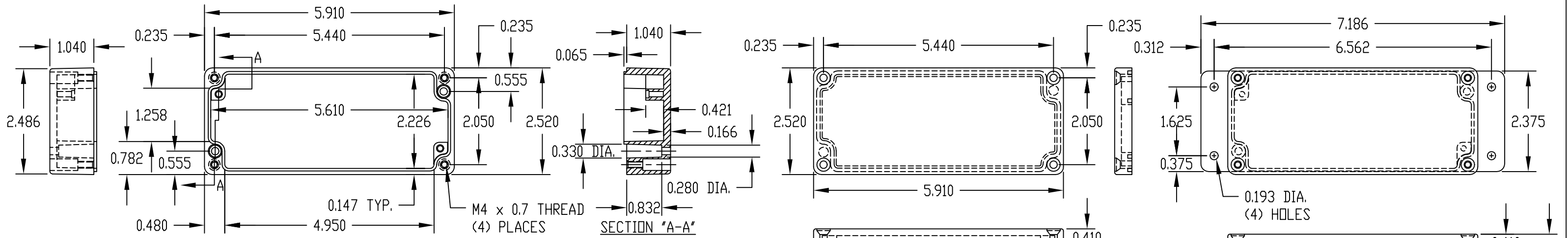
FINISH: NATURAL (NO SUFFIX)

GRAY (SUFFIX -G)

SMOOTH BLACK (SUFFIX -B)

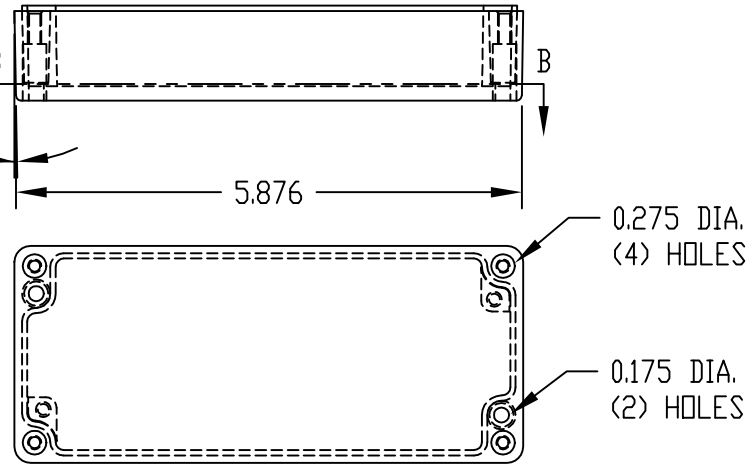
NOTES:

- 1) FOUR (4) M4 x 20mm (0.787") LG. SCREWS SUPPLIED FOR ASSEMBLY OF COVER TO BODY.
- 2) ALL HOLE DIAMETERS HAVE ±0.005 TOLERANCE
ALL OTHER DIMENSIONS HAVE ±0.015 TOLERANCE



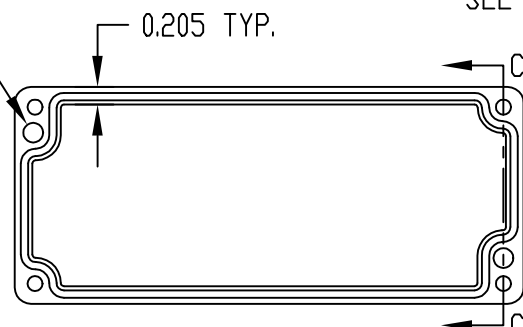
SECTION "A-A"

1° DRAFT REF.



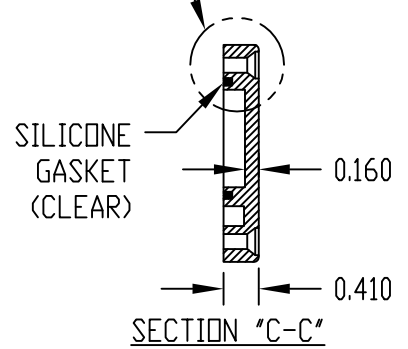
BODY

0.230 DIA. x 0.240 DEEP
(2) PLACES



COVER

SEE DETAIL "D"



SECTION "C-C"

PART NO. AN-2815 & AN-2815-B
ARE SUPPLIED WITH A WELDED
ON MOUNTING BRACKET ONLY.