

PART NAME

NEMA 4X ENCLOSURE

PART No.

AN-1311, AN-1311-G, AN-2811 & AN-2811-B

REV. DATE

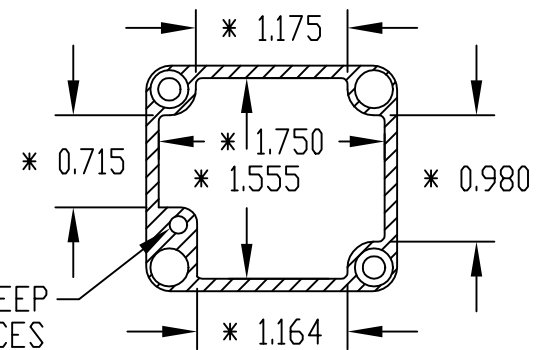
12-6-07

MATERIAL: ALUMINUM ALLOY #ADC-12

FINISH: NATURAL (NO SUFFIX)  
GRAY (SUFFIX -G)  
SMOOTH BLACK (SUFFIX -B)

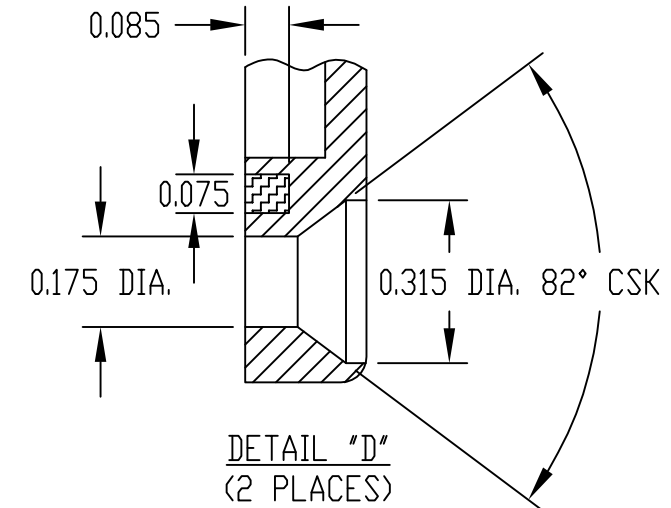
NOTES:

- 1) TWO (2) M4 x 20mm (0.787") LG. SCREWS SUPPLIED FOR ASSEMBLY OF COVER TO BODY.
- 2) ALL HOLE DIAMETERS HAVE ±0.005 TOLERANCE ALL OTHER DIMENSIONS HAVE ±0.015 TOLERANCE

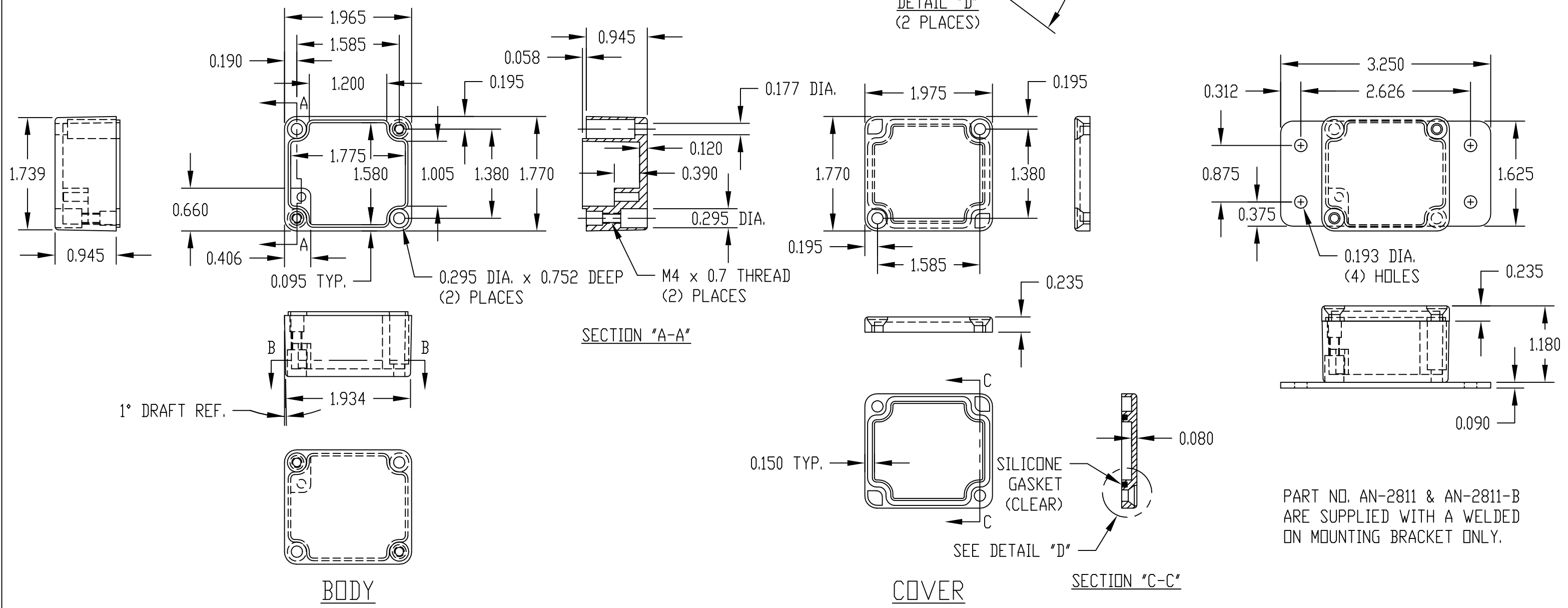


0.136 DIA. x 0.380 DEEP  
(1) PLACES  
ACCEPTS M4 x 6mm  
SELF-TAPPING SCREW  
(NOT SUPPLIED)

SECTION "B-B"  
\* DIMENSIONS ARE AT  
BOTTOM OF ENCLOSURE



DETAIL "D"  
(2 PLACES)



PART NO. AN-2811 & AN-2811-B  
ARE SUPPLIED WITH A WELDED  
ON MOUNTING BRACKET ONLY.