

REVISION T

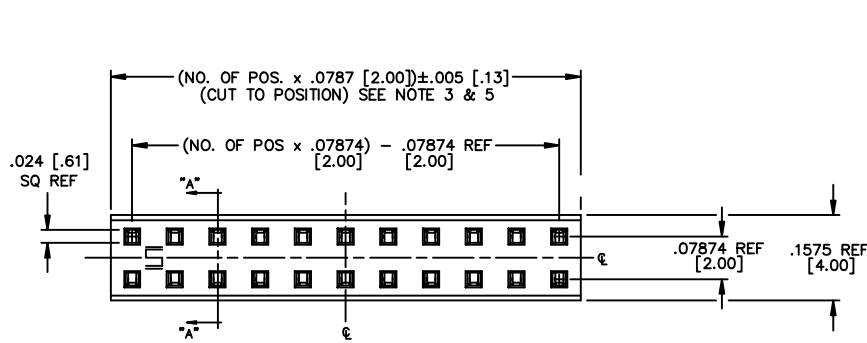
DO NOT SCALE FROM THIS PRINT

FIG. 2  
(CLT-111-XX-XX-D SHOWN)

UNLESS OTHERWISE NOTED  
DIMENSIONS ARE IN INCHES TOLERANCES ARE:  
ONE PLACE DECIMALS  $\pm 1[2.5]$  THREE PLACE DECIMALS  $\pm .005[.13]$  ANGLES  $\pm 10^\circ$   
TWO PLACE DECIMALS  $\pm .01[.3]$  FOUR PLACE DECIMALS  $\pm .0020[.051]$

TITLE:  
2 MM LOW PROFILE  
SOCKET STRIP

DWG NO:  
CLT-1XX-XX-XX-D  
SHEET 1 OF 1



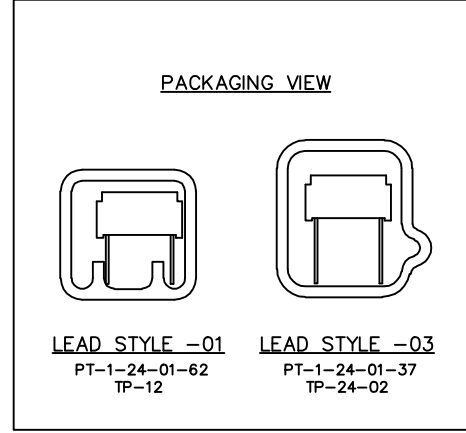
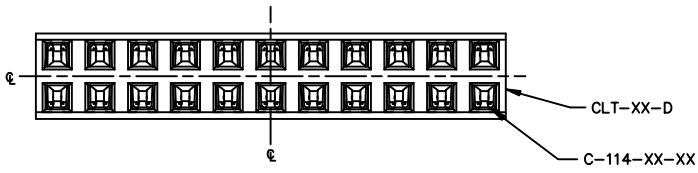
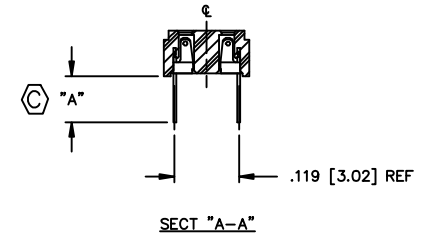
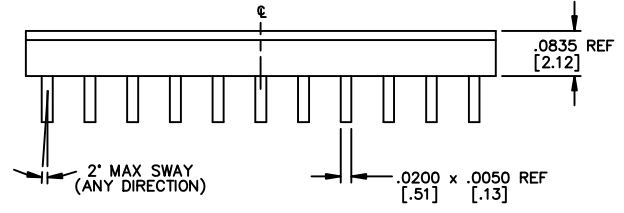
CLT-1XX-XX-XX-D

No OF POS PER ROW  
-02 THRU -50

LEAD STYLE SPEC.  
-01: THROUGH HOLE (USE C-114-02-XX) (SEE NOTE 6)  
-03: THROUGH HOLE (USE C-114-03-XX)

ROW SPEC.  
-D: DOUBLE ROW

PLATING  
-F: .000003 GOLD IN CONTACT AREA, TIN ON TAIL (POST-PLATE ONLY)  
-L: .000010 GOLD IN CONTACT AREA, TIN ON TAIL (POST-PLATE ONLY)  
-G: .000010 GOLD IN CONTACT AREA, FLASH GOLD ON TAIL (POST-PLATE ONLY)  
-S: .000030 GOLD IN CONTACT AREA, TIN ON TAIL (POST-PLATE ONLY)  
-FM: .000003 GOLD IN CONTACT AREA, MATTE TIN ON TAIL (POST-PLATE ONLY)  
-LM: .000010 GOLD IN CONTACT AREA, MATTE TIN ON TAIL (POST-PLATE ONLY)  
-SM: .000030 GOLD IN CONTACT AREA, MATTE TIN ON TAIL (POST-PLATE ONLY)



- NOTES:
1. MINIMUM PUSHOUT FORCE: .5 LB.
  2. WILL LOSE A POSITION FOR EVERY CUT MADE ON A SOCKET STRIP.
  3. PARTS TO BE SYMMETRICAL ABOUT Q.
  4. PACKAGE POSITIONS -04 THRU -50 IN TUBES. LAYER PACKAGE POSITIONS -02 THRU -03.
  5. ENDWALL AFTER CUTTING: .0245 ± .003 [.622 ± .08]
  6. C-114-22-XX CAN BE USED FOR C-114-02-XX.

EXISPROD\ASSEMBLY\2MM  
CLT-1XX-XX-XX-D

LEAD STYLE	"A"
-01	.085 [2.16]
-03	.116 [2.95]

**PROPRIETARY NOTE**  
THIS DOCUMENT CONTAINS INFORMATION CONFIDENTIAL AND PROPRIETARY TO SAMTEC INC. AND SHALL NOT BE REPRODUCED OR TRANSFERRED TO OTHER DOCUMENTS OR DISCLOSED TO OTHERS OR USED FOR ANY PURPOSE OTHER THAN THAT FOR WHICH IT WAS OBTAINED WITHOUT THE EXPRESSED WRITTEN CONSENT OF SAMTEC INC.

**samtec**

520 PARK EAST BLVD. NEW ALBANY, INDIANA 47150  
PHONE (812) 944-6733 P.O. BOX 1147  
CODE 55322

MADE BY: PURVIS 11-02-95 CLT-1XX-XX-XX-D  
SHEET 1 OF 1