

**PHYSICAL DIMENSIONS:**

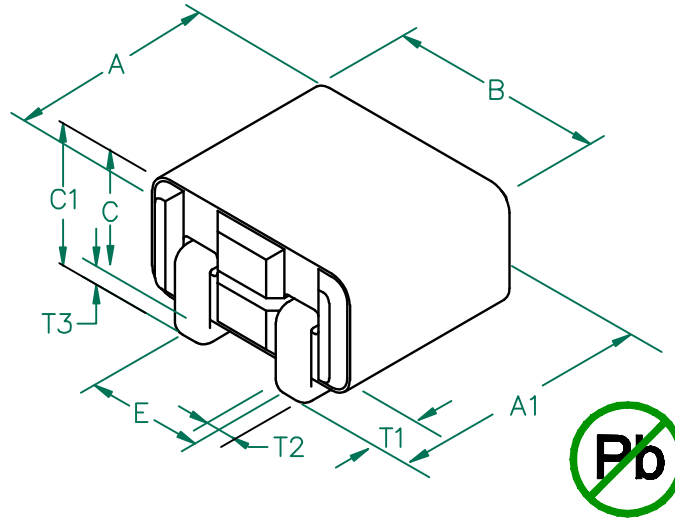
A	5.00 [.197]	± 0.15 [.006]
A1	5.88 [.231]	MAX.
B	5.60 [.220]	± 0.10 [.004]
C	2.85 [.112]	± 0.07 [.003]
C1	3.80 [.150]	MAX
E	2.84 [.112]	± 0.10 [.004]

**WIRE DIMENSIONS:**

T1	1.75 [.069]	± 0.13 [.005]
T2	0.81 [.032]	REF.
T3	0.43 [.017]	REF.
T4	0.86 [.034]	MAX.



# CM2021Y330R-10



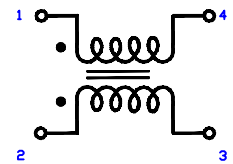
**ELECTRICAL CHARACTERISTICS:**

	Z in (Ω)			DCR (Ω)	Rated Current (Continuous)
	⊙ 25 MHz	⊙ 100 MHz	⊙ 300 MHz		
Nominal (Ref.)	20	33	36		
Minimum	-	25	-		
Maximum	-	-	-	.00075	15,000 mA

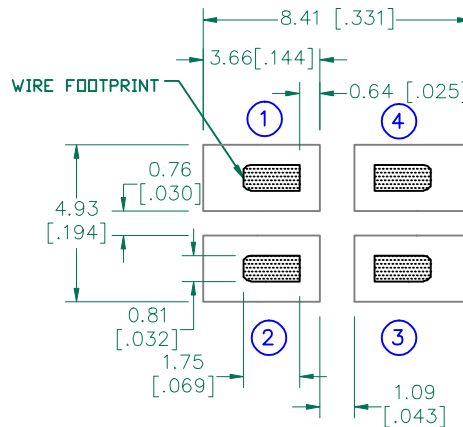
NOTES: UNLESS OTHERWISE SPECIFIED

1. TAPED AND REELED per CURRENT EIA SPECIFICATIONS, 13" REELS, 2500 PCS PER REEL
2. COMPONENTS SHOULD BE ADEQUATELY PREHEATED BEFORE SOLDERING.
3. REF.CARRIER TAPE SPECIFICATION – PENDING
4. THIS PART HAS NO PIN POLARITY.
5. TERMINATION FINISH IS 100% TIN.

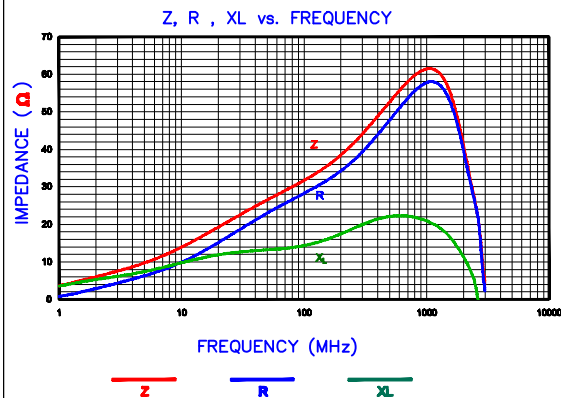
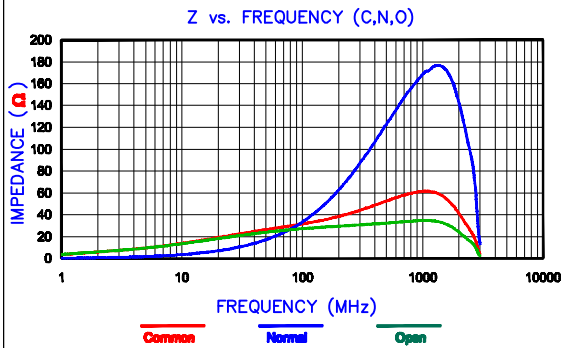
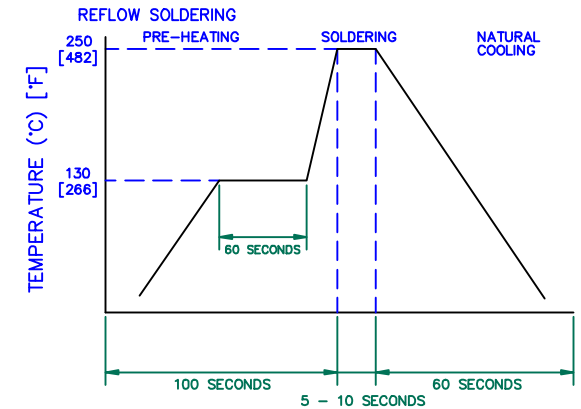
**EQUIVALENT CIRCUIT NO POLARITY**



**LAND PATTERNS FOR REFLOW SOLDERING**



**RECOMMENDED SOLDERING CONDITIONS**



**UNCONTROLLED DOCUMENT**

DIMENSIONS ARE IN mm [INCHES].				This print is the property of Laird Tech. and is loaned in confidence subject to return upon request and with the understanding that no copies shall be made without the written consent of Laird Tech. All rights to design or invention are reserved.			
G	UPDATE COMPANY LOGO	04/28/09	JRK	PROJECT/PART NUMBER: <b>CM2021Y330R-10</b>	REV <b>G</b>	PART TYPE: <b>ASSEMBLY</b>	DRAWN BY: <b>JRK</b>
F	CHANGE CORE P/N ON SHEET 3	11/13/07	JRK				
E	UPDATE COMPANY LOGO	05/17/07	JRK				
D	INTERCHANGE DIMENSIONS A,B&C UPDATE CURVES ADD EQUIV CIRCUIT	03/30/06	JRK				
C	CORRECT T3 DIMS ON SHEET 3	02/20/06	JRK				
B	CHG CURRENT RATING FROM 10,000 mA	11/07/05	JRK	DATE: 07/27/05	SCALE: 7 : 1	SHEET: 2 of 3	
A	ORIGINAL DRAFT	07/27/05	JRK	GAD #	TOOL #		
REV	DESCRIPTION	DATE	INT	CM2021Y330R-10-G	H0220		