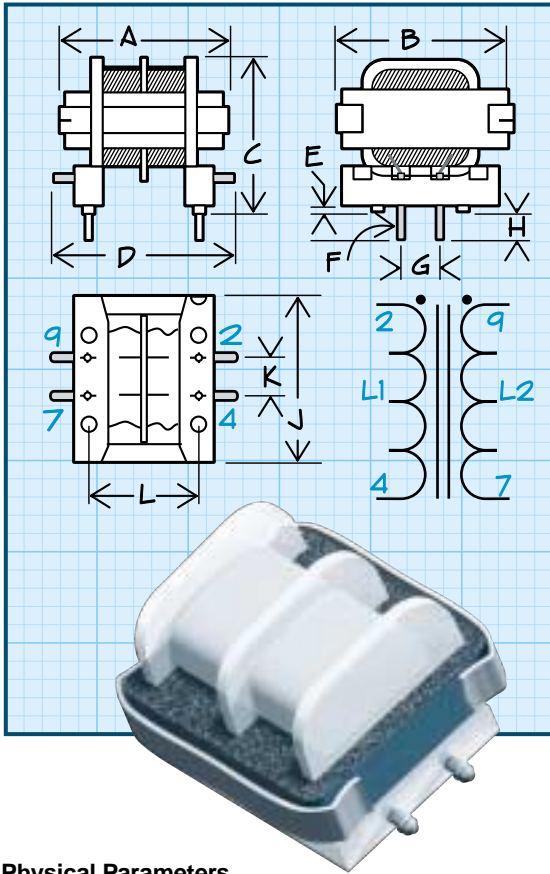


PC Mount Common Mode Choke



Physical Parameters

	Inches	Millimeters
A	0.860 ± 0.025	21.8 ± 0.64
B	1.070 ± 0.050	27.2 ± 1.27
C	0.830 ± 0.030	21.1 ± 0.76
D	1.060 (Ref. Only)	26.9 (Ref. Only)
E	0.040 ± 0.025	1.0 ± 0.64
F	0.025 Sq. (Typ.)	0.64 Sq. (Typ.)
G	0.400 ± 0.010	10.2 ± 0.3
H	0.175 ± 0.015	4.4 ± 0.38
J	1.03 (Ref. Only)	26.2 (Ref. Only)
K	0.400 ± 0.010	10.2 ± 0.3
L	0.630 ± 0.010	16.0 ± 0.3

Operating Temperature Range -55°C to +125°C

Current Rating at 85°C Ambient 40°C Rise

Mechanical Configuration Tape wrapped winding sections; varnish impregnated assembly

Notes 1) Inductance in table is for either L1 or L2.
2) Leakage Inductance tested at L1 with L2 shorted or at L2 with L1 shorted. 3) Windings balanced within 1%.

Packaging Bulk only

DASH NUMBER*

L (μH) L1 or L2
@ 1kHz ± 23%

DC RESISTANCE
MAXIMUM (Ohms)

CURRENT RATING
MAXIMUM (Amps)

LEAKAGE
INDUCTANCE
MAXIMUM (μH)

-563	56	0.013	5.5	3.5
-683	68	0.013	5.5	3.5
-823	82	0.013	5.5	3.5
-104	100	0.013	5.5	3.5
-124	120	0.015	5.5	4.5
-154	150	0.015	5.5	6.0
-184	180	0.019	4.5	7.0
-224	220	0.020	4.5	7.5
-274	270	0.025	4.5	9.0
-334	330	0.025	3.5	12
-474	470	0.030	3.5	14
-564	560	0.035	3.5	18
-684	680	0.040	3.5	20
-824	820	0.060	2.8	24
-105	1000	0.065	2.8	30
-125	1200	0.095	2.2	35
-155	1500	0.115	1.7	40
-185	1800	0.125	1.7	45
-225	2200	0.170	1.4	55
-275	2700	0.180	1.4	75
-335	3300	0.320	1.1	90
-395	3900	0.400	1.1	100
-475	4700	0.450	0.88	130
-565	5600	0.500	0.88	175
-685	6800	0.600	0.88	220
-825	8200	0.750	0.88	230
-106	10000	0.800	0.70	250
-126	12000	0.900	0.70	300
-156	15000	1.00	0.70	350
-186	18000	1.30	0.55	425
-226	22000	1.50	0.55	475
-276	27000	1.80	0.44	550
-336	33000	2.20	0.44	650
-396	39000	2.60	0.44	800
-476	47000	3.00	0.44	900
-566	56000	4.00	0.35	1100
-686	68000	5.00	0.27	1300
-826	82000	5.50	0.27	1800
-107	100000	6.40	0.27	2100
-127	120000	7.80	0.22	2600
-157	150000	9.00	0.22	3000

*Complete part # must include series # PLUS the dash #

For further surface finish information,
refer to TECHNICAL section of this catalog.