

16-Bit, 625 MSPS, 2x Interpolating, Dual-Channel Digital-to-Analog Converter (DAC)

Check for Samples: [DAC3282](#)

FEATURES

- Dual, 16-Bit, 625 MSPS DACs
- 8-Bit Input LVDS Data Bus
 - Byte-Wide Interleaved Data Load
 - 8 Sample Input FIFO
 - Optional Data Pattern Checker
- Multi-DAC Synchronization
- Optional 2x Interpolation Filter
- Zero-IF Sinc Correction Filter
- $F_s/2$ and $\pm F_s/4$ Coarse Mixer
- Digital Offset Adjustment for LO Correction
- Temperature Sensor
- 3- or 4-Wire Serial Control Interface
- On Chip 1.2-V reference
- Differential Scalable Output: 2 to 20 mA
- Low Power: 950 mW at 625 MSPS, 845 mW at 500 MHz, Full Operating Conditions
- Space Saving Package: 48-pin 7x7mm QFN

APPLICATIONS

- Cellular Base Stations
- Diversity Transmit
- Wideband Communications
- Digital Synthesis

DESCRIPTION

The DAC3282 is a dual-channel 16-bit 625 MSPS digital-to-analog converter (DAC) with an 8-bit LVDS input data bus with on-chip termination, optional 2x interpolation filter, and internal voltage reference. The DAC3282 offers superior linearity, noise and crosstalk performance.

Input data can be interpolated by 2x through an on-chip interpolating FIR filter with over 85 dB of stop-band attenuation. Multiple DAC3282 devices can be fully synchronized.

The DAC3282 allows either a complex or real output. An optional coarse mixer in complex mode provides frequency upconversion and the dual DAC output produces a complex Hilbert Transform pair. The digital offset correction feature allows optimization of LO feed-through of an external quadrature modulator performing the final single sideband RF up-conversion.

The DAC3282 is characterized for operation over the entire industrial temperature range of -40°C to 85°C and is available in a 48-pin 7x7mm QFN package.

ORDERING INFORMATION

T_A	ORDER CODE	PACKAGE DRAWING/TYPE ^{(1) (2)}	TRANSPORT MEDIA	QUANTITY
-40°C to 85°C	DAC3282IRGZT	RGZ / 48QFN Quad Flatpack No-Lead	Tape and Reel	250
	DAC3282IRGZR			2500

(1) Thermal Pad Size: 5,6 mm x 5,6 mm

(2) MSL Peak Temperature: Level-3-260C-168 HR



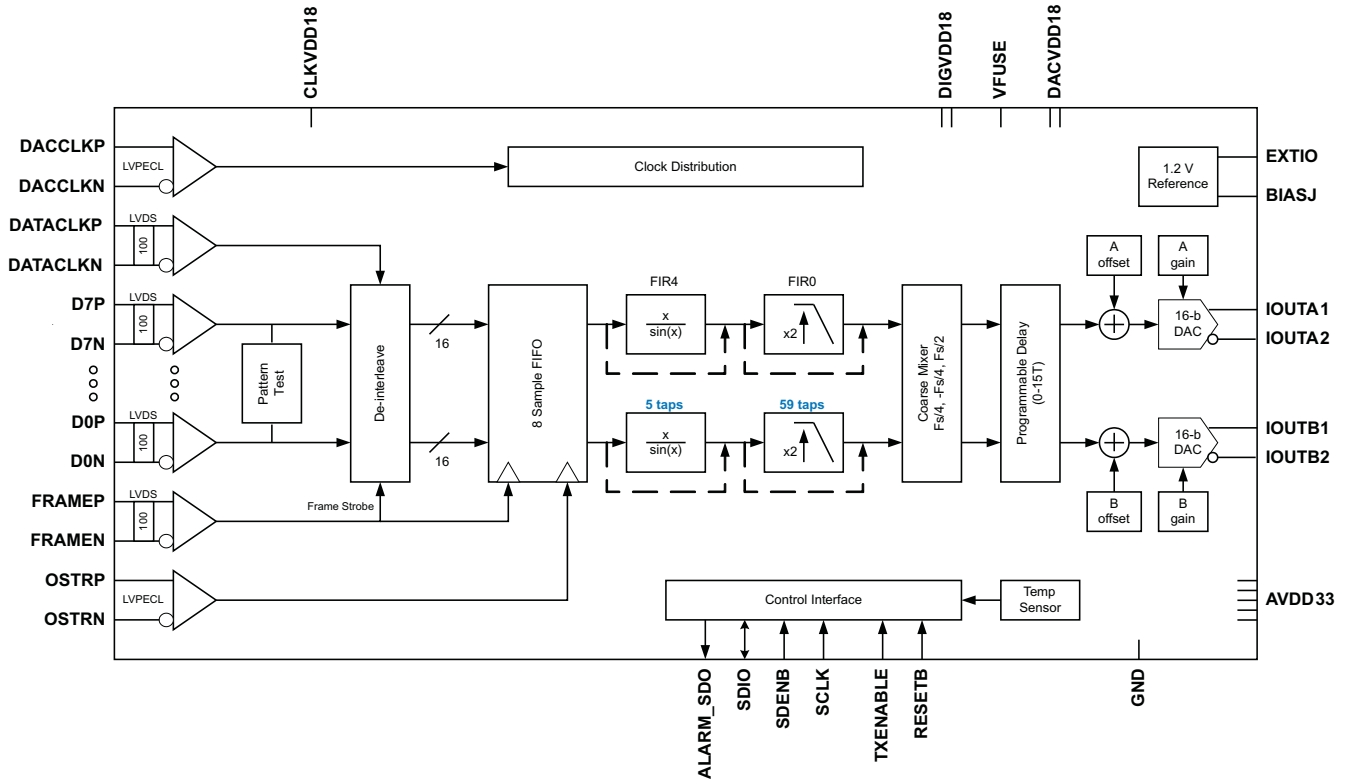
Please be aware that an important notice concerning availability, standard warranty, and use in critical applications of Texas Instruments semiconductor products and disclaimers thereto appears at the end of this data sheet.



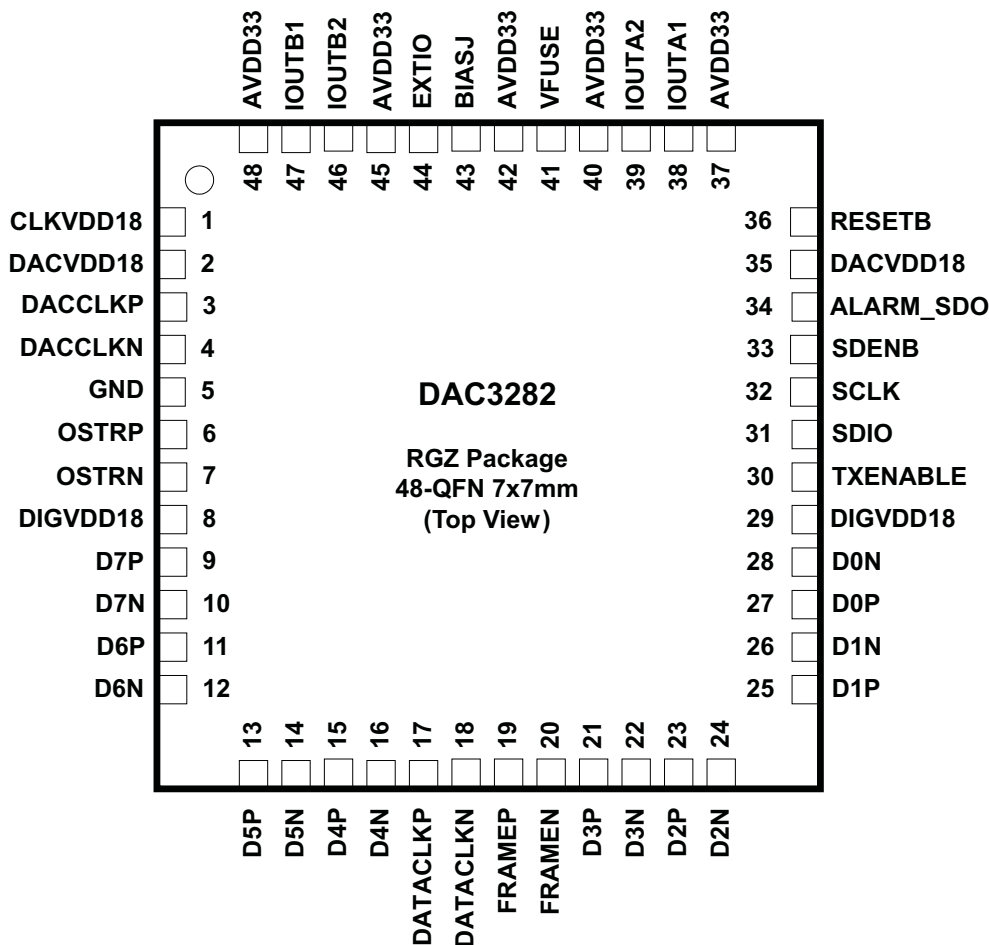
This integrated circuit can be damaged by ESD. Texas Instruments recommends that all integrated circuits be handled with appropriate precautions. Failure to observe proper handling and installation procedures can cause damage.

ESD damage can range from subtle performance degradation to complete device failure. Precision integrated circuits may be more susceptible to damage because very small parametric changes could cause the device not to meet its published specifications.

FUNCTIONAL BLOCK DIAGRAM



PINOUT



PIN FUNCTIONS

PIN		I/O	DESCRIPTION
NAME	NO.		
AVDD33	37, 40, 42, 45, 48	I	Analog supply voltage. (3.3 V)
ALARM_SDO	34	O	1.8V CMOS output for ALARM condition. The ALARM output functionality is defined through the CONFIG6 register. Default polarity is active low, but can be changed to active high via CONFIG0 alarm_pol control bit. Optionally, it can be used as the uni-directional data output in 4-pin serial interface mode (CONFIG 23 sif4_ena = '1').
BIASJ	43	O	Full-scale output current bias. For 20mA full-scale output current, connect a 960 Ω resistor to GND.
CLKVDD18	1	I	Internal clock buffer supply voltage. (1.8 V) It is recommended to isolate this supply from DACVDD18 and DIGVDD18.
D[7..0]P	9, 11, 13, 15, 21, 23, 25, 27	I	LVDS positive input data bits 0 through 7. Each positive/negative LVDS pair has an internal 100 Ω termination resistor. Data format relative to DATACLKP/N clock is Double Data Rate (DDR) with two data transfers per DATACLKP/N clock cycle. Dual channel 16-bit data is transferred byte-wide on this single 8-bit data bus using FRAMEP/N as a frame strobe indicator. D7P is most significant data bit (MSB) – pin 9 D0P is least significant data bit (LSB) – pin 27 The order of the bus can be reversed via CONFIG19 rev bit.
D[7..0]N	10, 12, 14, 16, 22, 24, 26, 28	I	LVDS negative input data bits 0 through 15. (See D[7:0]P description above) D7N is most significant data bit (MSB) – pin 10 D0N is least significant data bit (LSB) – pin 28

PIN FUNCTIONS (continued)

PIN		I/O	DESCRIPTION
NAME	NO.		
DACCLKP	3	I	Positive external LVPECL clock input for DAC core with a self-bias of approximately CLKVDD18/2.
DACCLKN	4	I	Complementary external LVPECL clock input for DAC core. (see the DACCLKP description)
DACVDD18	2, 35	I	DAC core supply voltage. (1.8 V) It is recommended to isolate this supply from CLKVDD18 and DIGVDD18.
DATACLKP	17	I	LVDS positive input data clock. This positive/negative pair has an internal 100 Ω termination resistor. Input data D[7:0]P/N is latched on both edges of DATACLKP/N (Double Data Rate) with two data transfers input per DATACLKP/N clock cycle.
DATACLKN	18	I	LVDS negative input data clock. (See DATACLKP description)
DIGVDD18	8, 29	I	Digital supply voltage. (1.8V) It is recommended to isolate this supply from CLKVDD18 and DACVDD18.
EXTIO	44	I/O	Used as external reference input when internal reference is disabled through CONFIG25 extref_ena = '1'. Used as internal reference output when CONFIG25 extref_ena = '0' (default). Requires a 0.1 μF decoupling capacitor to AGND when used as reference output.
FRAMEP	19	I	LVDS frame indicator positive input. This positive/negative pair has an internal 100 Ω termination resistor. This signal is captured with the rising edge of DATACLKP/N and used to indicate the beginning of the frame. It is also used as a reset signal by the FIFO. The FRAMEP/N signal should be edge-aligned with D[7:0]P/N.
FRAMEN	20	I	LVDS frame indicator negative input. (See the FRAMEN description)
GND	5, Thermal Pad	I	Pin 5 and the Thermal Pad located on the bottom of the QFN package is ground for all supplies.
IOUTA1	38	O	A-Channel DAC current output. An offset binary data pattern of 0x0000 at the DAC input results in a full scale current sink and the least positive voltage on the IOUTA1 pin. Similarly, a 0xFFFF data input results in a 0 mA current sink and the most positive voltage on the IOUTA1 pin.
IOUTA2	39	O	A-Channel DAC complementary current output. The IOUTA2 has the opposite behavior of the IOUTA1 described above. An input data value of 0x0000 results in a 0 mA sink and the most positive voltage on the IOUTA2 pin.
IOUTB1	47	O	B-Channel DAC current output. Refer to IOUTA1 description above.
IOUTB2	46	O	B-Channel DAC complementary current output. Refer to IOUTA2 description above.
OSTRP	6	I	LVPECL output strobe positive input. This positive/negative pair is captured with the rising edge of DACCLKP/N. It is used to reset the clock dividers and for multiple DAC synchronization. If unused it can be left floating.
OSTRN	7	I	LVPECL output strobe negative input. (See the OSTRP description)
RESETB	36	I	1.8V CMOS active low input for chip RESET. Internal pull-up.
SCLK	32	I	1.8V CMOS serial interface clock. Internal pull-down.
SDENB	33	I	1.8V CMOS active low serial data enable, always an input to the DAC3282. Internal pull-up.
SDIO	31	I/O	1.8V CMOS serial interface data. Bi-directional in 3-pin mode (default). In 4-pin interface mode, the SDIO pin is an input only. Internal pull-down.
TXENABLE	30	I	1.8V CMOS active high input. TXENABLE must be high for the DATA to the DAC to be enabled. When TXENABLE is low, the digital logic section is forced to all 0, and any input data is ignored. Internal pull-down.
VFUSE	41	I	Digital supply voltage. (1.8V) This supply pin is also used for factory fuse programming. Connect to DACVDD18 pins for normal operation.

ABSOLUTE MAXIMUM RATINGS

over operating free-air temperature range (unless otherwise noted)⁽¹⁾

		VALUE	UNIT
Supply voltage range	DACVDD18 ⁽²⁾	–0.5 to 2.3	V
	DIGVDD18 ⁽²⁾	–0.5 to 2.3	V
	CLKVDD18 ⁽²⁾	–0.5 to 2.3	V
	VFUSE ⁽²⁾	–0.5 to 2.3	V
	AVDD33 ⁽²⁾	–0.5 to 4	V
Terminal voltage range	CLKVDD18 to DIGVDD18	–0.5 to 0.5	V
	DACVDD18 to DIGVDD18	–0.5 to 0.5	V
	D[7..0]P ,D[7..0]N, DATACLKP,DATACLKN, FRAMEP, FRAMEN ⁽²⁾	–0.5 to DIGVDD18 + 0.5	V
	DACCLKP, DACCLKN, OSTRP, OSTRN ⁽²⁾	–0.5 to CLKVDD18 + 0.5	V
	ALARM_SDO, SDIO, SCLK, SDENB, RESETB, TXENABLE ⁽²⁾	–0.5 to DIGVDD18 + 0.5	V
	IOUTA1/B1, IOUTA2/B2 ⁽²⁾	–1.0 to AVDD33 + 0.5	V
	EXTIO, BIASJ ⁽²⁾	–0.5 to AVDD33 + 0.5	V
Peak input current (any input)		20	mA
Peak total input current (all inputs)		–30	mA
Operating free-air temperature range, T _A : DAC3282		–40 to 85	°C
Storage temperature range		–65 to 150	°C
Lead temperature 1,6 mm (1/16 inch) from the case for 10 seconds		260	°C

(1) Stresses beyond those listed under *absolute maximum ratings* may cause permanent damage to the device. These are stress ratings only and functional operation of these or any other conditions beyond those indicated under *recommended operating conditions* is not implied. Exposure to absolute-maximum-rated conditions for extended periods may affect device reliability.

(2) Measured with respect to GND.

THERMAL CHARACTERISTICS

over operating free-air temperature range (unless otherwise noted)

THERMAL CONDUCTIVITY		48ld QFN	UNIT
T _J	Maximum Junction Temperature ^{(1) (2)}	125	°C
θ _{JA}	Theta junction-to-ambient (still air)	30	°C/W
	Theta junction-to-ambient (150 lfm)	24	°C/W
θ _{JB}	Theta junction-to-board	8	°C/W
θ _{JP}	Theta junction-to-pad	1.3	°C/W

(1) Air flow or heat sinking reduces θ_{JA} and may be required for sustained operation at 85° and maximum operating conditions.

(2) It is strongly recommended to solder the device thermal pad to the board ground plane.

ELECTRICAL CHARACTERISTICS – DC SPECIFICATIONS⁽¹⁾

over recommended operating free-air temperature range, nominal supplies, $I_{OUT_{FS}} = 20 \text{ mA}$ (unless otherwise noted)

PARAMETER		TEST CONDITIONS	MIN	TYP	MAX	UNIT
Resolution			16			Bits
DC ACCURACY						
DNL	Differential nonlinearity	$1 \text{ LSB} = I_{OUT_{FS}}/2^{16}$		± 2		LSB
INL	Integral nonlinearity			± 4		LSB
ANALOG OUTPUT						
Coarse gain linearity				± 0.04		LSB
Offset error		Mid code offset		0.01		%FSR
Gain error		With external reference		± 2		%FSR
		With internal reference		± 2		%FSR
Gain mismatch		With internal reference	-2		2	%FSR
Minimum full scale output current		Nominal full-scale current, $I_{OUT_{FS}} = 16 \times I_{BIAS}$ current.		2		mA
Maximum full scale output current				20		
Output compliance range ⁽²⁾		$I_{OUT_{FS}} = 20 \text{ mA}$	AVDD -0.5V		AVDD +0.5V	V
Output resistance				300		k Ω
Output capacitance				5		pF
REFERENCE OUTPUT						
V_{REF}	Reference output voltage		1.14	1.2	1.26	V
	Reference output current ⁽³⁾			100		nA
REFERENCE INPUT						
V_{EXTIO}	Input voltage range	External Reference Mode	0.1	1.2	1.25	V
	Input resistance				1	
	Small signal bandwidth			472		kHz
	Input capacitance			100		pF
TEMPERATURE COEFFICIENTS						
Offset drift				± 1		ppm of FSR/ $^{\circ}\text{C}$
Gain drift		With external reference		± 15		ppm of FSR/ $^{\circ}\text{C}$
		With internal reference		± 30		
Reference voltage drift				± 8		ppm/ $^{\circ}\text{C}$

(1) Measured differential across IOUTA1 and IOUTA2 or IOUTB1 and IOUTB2 with 25 Ω each to AVDD.

(2) The lower limit of the output compliance is determined by the CMOS process. Exceeding this limit may result in transistor breakdown, resulting in reduced reliability of the DAC3282 device. The upper limit of the output compliance is determined by the load resistors and full-scale output current. Exceeding the upper limit adversely affects distortion performance and integral nonlinearity.

(3) Use an external buffer amplifier with high impedance input to drive any external load.

ELECTRICAL CHARACTERISTICS – DC SPECIFICATIONS ⁽¹⁾ (continued)

 over recommended operating free-air temperature range, nominal supplies, IOUT_{FS} = 20 mA (unless otherwise noted)

PARAMETER		TEST CONDITIONS	MIN	TYP	MAX	UNIT
POWER SUPPLY						
	AVDD33		3.0	3.3	3.6	V
	DACVDD18, DIGVDD18, CLKVDD18		1.7	1.8	1.9	V
I _(AVDD33)	Analog supply current	Mode 1 (below)		96		mA
I _(DIGVDD18)	Digital supply current			268		mA
I _(DACVDD18)	DAC supply current			74		mA
I _(CLKVDD18)	Clock supply current			10		mA
I _(AVDD33)	Power down mode analog supply current	Mode 4 (below)		2		mA
I _(DIGVDD18)	Power down mode digital supply current			3		mA
I _(DACVDD18)	Power down mode DAC supply current			0.5		mA
I _(CLKVDD18)	Power down mode clock supply current			1		mA
P	Power Dissipation	Mode 1: f _{DAC} = 625MSPS, 2x interpolation, mixer on, Digital Offset Control on		950	1100	mW
		Mode 2: f _{DAC} = 491.52MSPS, 2x interpolation, Zero-IF Correction Filter on, mixer off, Digital Offset Control on		845		mW
		Mode 3: Sleep Mode, f _{DAC} = 625MSPS, 2X interpolation, mixer on, DAC in sleep mode: CONFIG24 sleepa , sleepb set to 1		575		mW
		Mode 4: Power-Down mode, No clock, static data pattern, DAC in power-down mode: CONFIG23 clkpath_sleep_a , clkpath_sleepb set to 1 CONFIG24 clkrecv_sleep , sleepa , sleepb set to 1		15		mW
PSRR	Power Supply Rejection Ratio	DC tested	-0.4		0.4	%/FSR/V
T	Operating Range		-40	25	85	°C

ELECTRICAL CHARACTERISTICS – AC SPECIFICATIONS

over recommended operating free-air temperature range, nominal supplies, IOUTFS = 20 mA (unless otherwise noted)

PARAMETER		TEST CONDITIONS	MIN	TYP	MAX	UNIT
ANALOG OUTPUT ⁽¹⁾						
f _{DAC}	Maximum output update rate	1x Interpolation	312.5			MSPS
		2x Interpolation	625			
t _{s(DAC)}	Output settling time to 0.1%	Transition: Code 0x0000 to 0xFFFF	10.4			ns
t _{pd}	Output propagation delay	DAC outputs are updated on the falling edge of DAC clock. Does not include Digital Latency (see below).	2			ns
t _{r(IOUT)}	Output rise time 10% to 90%		220			ps
t _{f(IOUT)}	Output fall time 90% to 10%		220			ps
Power-up time	DAC Wake-up Time	IOUT current settling to 1% of IOUT _{FS} . Measured from SDENB rising edge; Register CONFIG24, toggle sleepa from 1 to 0	90			μs
	DAC Sleep Time	IOUT current settling to less than 1% of IOUT _{FS} . Measured from SDENB rising edge; Register CONFIG24, toggle sleepa from 0 to 1.	90			μs
Digital Latency		No interpolation, FIFO off, Offset off, Inverse sinc off	38			DAC clock cycles
		2x Interpolation	59			
		Zero-IF Sinc Correction Filter	16			
		FIFO	8			
		Offset	4			
AC PERFORMANCE ⁽²⁾						
SFDR	Spurious Free Dynamic Range SFDR (0 to f _{DAC} /2) Tone at 0 dBFS	f _{DAC} = 625 MSPS, f _{OUT} = 10.1 MHz 2x Interp, DAC A+B on	83			dBc
		f _{DAC} = 625 MSPS, f _{OUT} = 20.1 MHz 2x Interp, DAC A+B on	78			
		f _{DAC} = 625 MSPS, f _{OUT} = 70.1 MHz 2x Interp, DAC A+B on	64			
IMD3	Third-order two-tone intermodulation distortion Each tone at -6 dBFS	f _{DAC} = 625 MSPS, f _{OUT} = 30 ± 0.5 MHz 2x Interp, DAC A+B on	82			dBc
		f _{DAC} = 625 MSPS, f _{OUT} = 50 ± 0.5 MHz 2x Interp, DAC A+B on	80			
		f _{DAC} = 625 MSPS, f _{OUT} = 150 ± 0.5 MHz 2x Interp, DAC A+B on,	69			
NSD	Noise Spectral Density Single Tone at 0 dBm	f _{DAC} = 625 MSPS, f _{OUT} = 10.1 MHz 2x Interp, DAC A+B on	161			dBc/Hz
		f _{DAC} = 625 MSPS, f _{OUT} = 150.1 MHz 2x Interp, DAC A+B on	150			
WCDMA ⁽³⁾	Adjacent Channel Leakage Ratio, Single Carrier	f _{DAC} = 491.52 MSPS, f _{OUT} = 30.72 MHz 2x Interp, DAC A+B on	81			dBc
		f _{DAC} = 491.52 MSPS, f _{OUT} = 153.6 MHz 2x Interp, DAC A+B on	76			
	Alternate Channel Leakage Ratio, Single Carrier	f _{DAC} = 491.52 MSPS, f _{OUT} = 30.72 MHz 2x Interp, DAC A+B on	84			dBc
		f _{DAC} = 491.52 MSPS, f _{OUT} = 153.6 MHz 2x Interp, DAC A+B on	77			
	Channel Isolation	f _{DAC} = 625 MSPS, f _{OUT} = 10 MHz	84			dBc

(1) Measured single ended into 50 Ω load.

(2) 4:1 transformer output termination, 50 Ω doubly terminated load.

(3) Single carrier, W-CDMA with 3.84 MHz BW, 5-MHz spacing, centered at IF, PAR = 12dB. TESTMODEL 1, 10 ms

ELECTRICAL CHARACTERISTICS – DIGITAL SPECIFICATIONS

 over recommended operating free-air temperature range, nominal supplies, IOUT_{FS} = 20 mA (unless otherwise noted)

PARAMETER	TEST CONDITIONS	MIN	TYP	MAX	UNIT
LVDS INTERFACE: D[7:0]P/N, DATACLKP/N, FRAMEP/N⁽¹⁾					
f _{DATA}	Input data rate	Byte-wide DDR format DATACLK frequency = 625 MHz		312.5	MSPS
f _{BUS}	Byte-wide LVDS data transfer rate	1x Interpolation		1250	MSPS
		2x Interpolation		1250	
V _{A,B+}	Logic high differential input voltage threshold	175	400		mV
V _{A,B-}	Logic low differential input voltage threshold	-175	-400		mV
V _{COM}	Input Common Mode	1.0	1.2	2.0	V
Z _T	Internal termination	85	110	135	Ω
C _L	LVDS Input capacitance		2		pF
TIMING LVDS INPUTS: DATACLKP/N, double edge latching – See Figure 36					
t _{s(DATA)}	Setup time, D[7:0]P/N and FRAMEP/N, valid to either edge of DATACLKP/N	FRAMEP/N latched on rising edge of DATACLKP/N only		0	ps
t _{h(DATA)}	Hold time, D[7:0]P/N and FRAMEP/N, valid after either edge of DATACLKP/N	FRAMEP/N latched on rising edge of DATACLKP/N only		400	ps
t _{f(FRAME)}	FRAMEP/N pulse width	f _{DATACLK} is DATACLK frequency in MHz		1/2f _{DATACLK}	ns
t _{align}	Maximum offset between DATACLKP/N and DACCLKP/N rising edges	FIFO Bypass Mode only f _{DACCLK} is DACCLK frequency in MHz		1/2f _{DACCLK} -0.55	ns
CLOCK INPUT (DACCLKP/N)					
	Duty cycle			40%	60%
	Differential voltage ⁽²⁾			0.4	1.0
	DACCLKP/N Input Frequency				625
					MHz
OUTPUT STROBE (OSTRP/N)					
f _{OSTR}	Frequency	f _{OSTR} = f _{DACCLK} / (n × 8 × Interp) where n is any positive integer f _{DACCLK} is DACCLK frequency in MHz		f _{DACCLK} / (8 × interp)	MHz
	Duty cycle			40%	60%
	Differential voltage			0.4	1.0
					V
TIMING OSTRP/N Input: DACCLKP/N rising edge latching					
t _{s(OSTR)}	Setup time, OSTRP/N valid to rising edge of DACCLKP/N			200	ps
t _{h(OSTR)}	Hold time, OSTRP/N valid after rising edge of DACCLKP/N			200	ps
CMOS INTERFACE: ALARM_SDO, SDIO, SCLK, SDENB, RESETB, TXENABLE					
V _{IH}	High-level input voltage			1.25	V
V _{IL}	Low-level input voltage			0.54	V
I _{IH}	High-level input current			-40	40
I _{IL}	Low-level input current			-40	40
C _I	CMOS Input capacitance				2
V _{OH}	SDO, SDIO	I _{load} = -100 μA		DIGVDD18 -0.2	
	SDO, SDIO	I _{load} = -2 mA		0.8 × DIGVDD18	
V _{OL}	SDO, SDIO	I _{load} = 100 μA		0.2	
	SDO, SDIO	I _{load} = 2 mA		0.5	

(1) See LVDS INPUTS section for terminology.

(2) Driving the clock input with a differential voltage lower than 1 V will result in degraded performance.

ELECTRICAL CHARACTERISTICS – DIGITAL SPECIFICATIONS (continued)

over recommended operating free-air temperature range, nominal supplies, IOUT_{FS} = 20 mA (unless otherwise noted)

PARAMETER		TEST CONDITIONS	MIN	TYP	MAX	UNIT
SERIAL PORT TIMING – See Figure 32 and Figure 33						
t _s (SDENB)	Setup time, SDENB to rising edge of SCLK		20			ns
t _s (SDIO)	Setup time, SDIO valid to rising edge of SCLK		10			ns
t _h (SDIO)	Hold time, SDIO valid to rising edge of SCLK		5			ns
t _p (SCLK)	Period of SCLK	Register CONFIG5 read (temperature sensor read)	1			μs
		All other registers	100			ns
t _h (SCLKH)	High time of SCLK	Register CONFIG5 read (temperature sensor read)	0.4			μs
		All other registers	40			ns
t _l (SCLKL)	Low time of SCLK	Register CONFIG5 read (temperature sensor read)	0.4			μs
		All other registers	40			ns
t _d (Data)	Data output delay after falling edge of SCLK			10		ns
t _{RESET}	Minimum RESETB pulsewidth			25		ns

TYPICAL CHARACTERISTICS

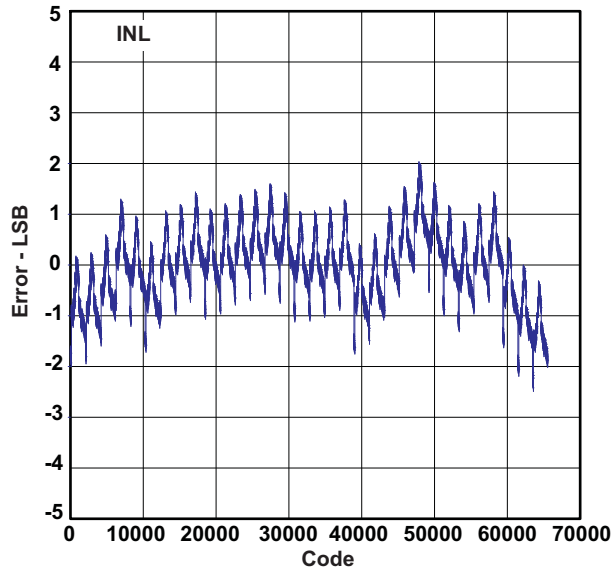


Figure 1. Integral Non-Linearity

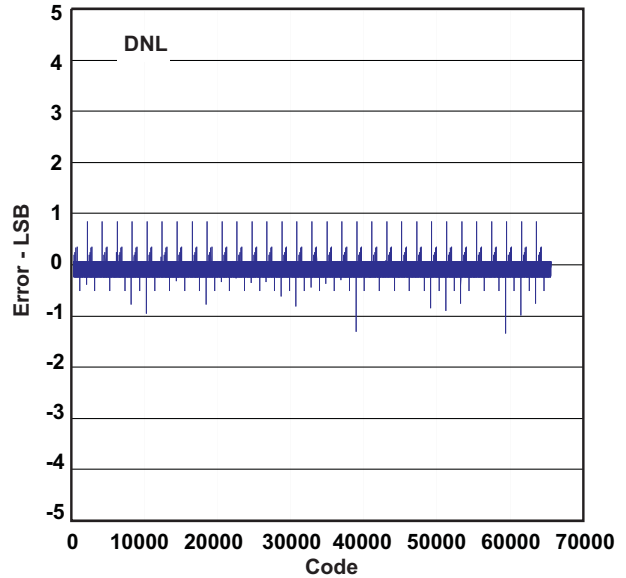


Figure 2. Differential Non-Linearity

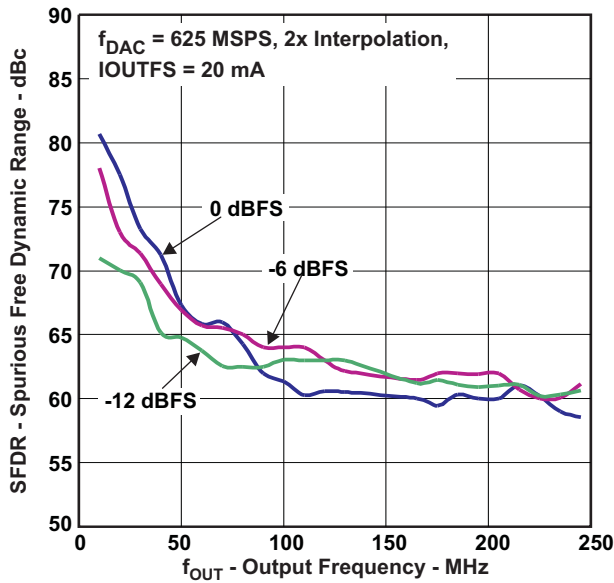


Figure 3. SFDR vs Input Scale

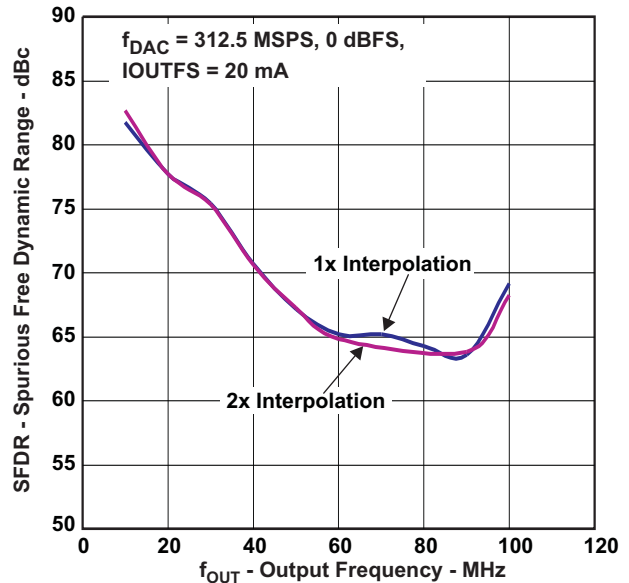


Figure 4. SFDR vs Interpolation

TYPICAL CHARACTERISTICS (continued)

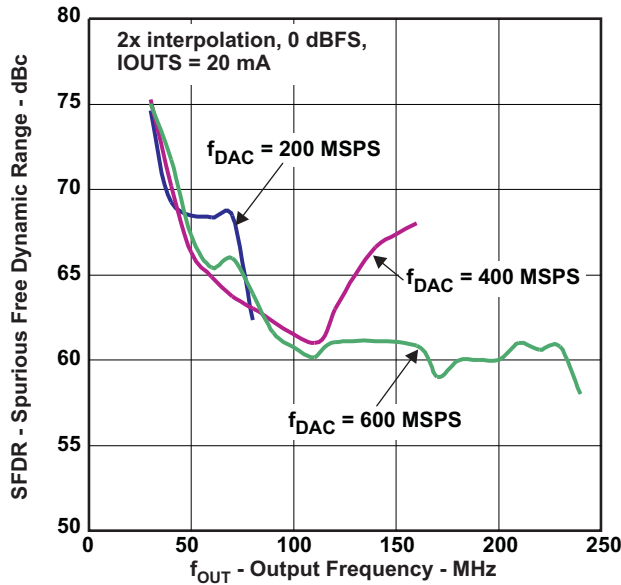


Figure 5. SFDR vs f_{DAC}

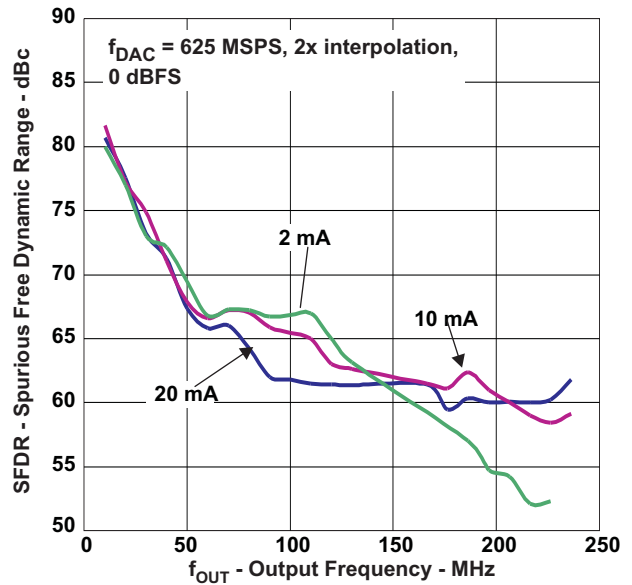


Figure 6. SFDR vs I_{OUTS}

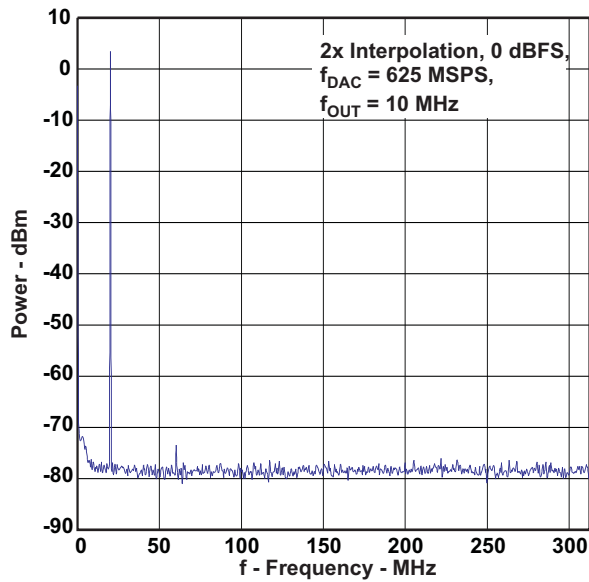


Figure 7. Single Tone Spectral Plot

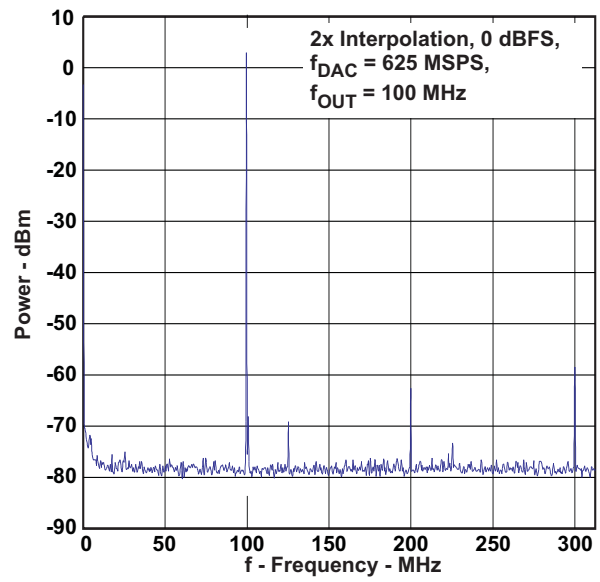


Figure 8. Single Tone Spectral Plot

TYPICAL CHARACTERISTICS (continued)

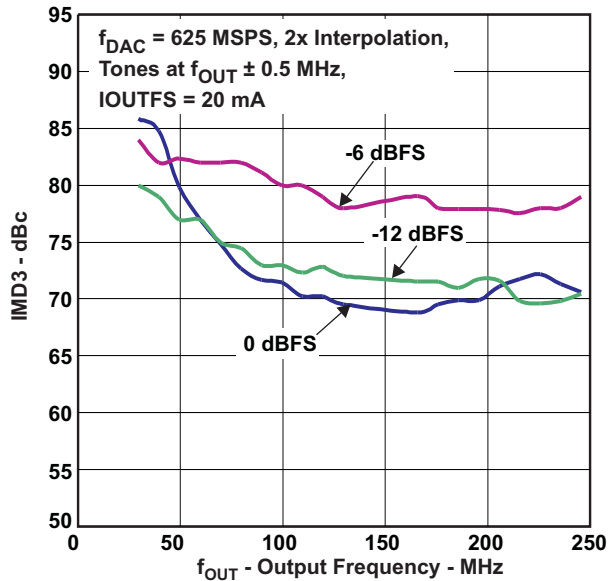


Figure 9. IMD3 vs Input Scale

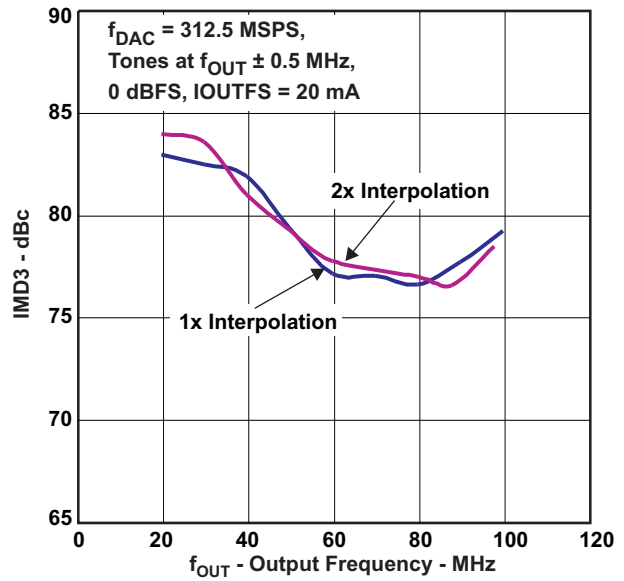


Figure 10. IMD3 vs Interpolation

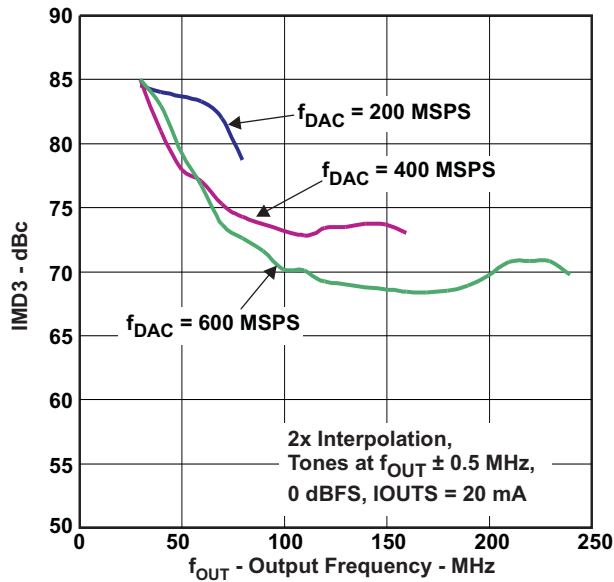


Figure 11. IMD3 vs f_{DAC}

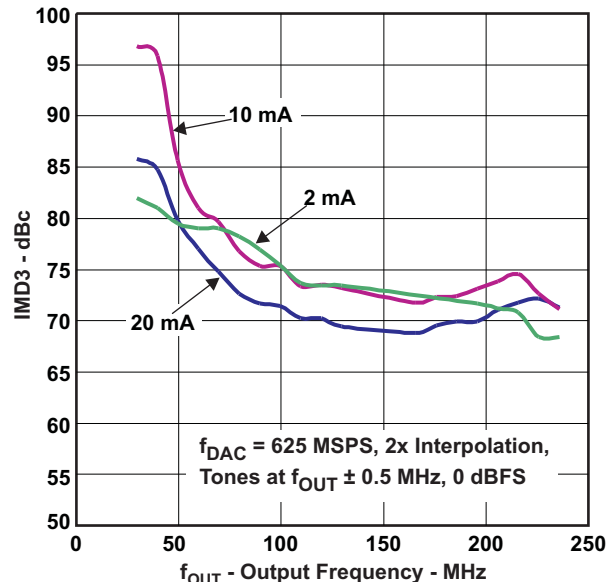


Figure 12. IMD3 vs I_{OUTFS}

TYPICAL CHARACTERISTICS (continued)

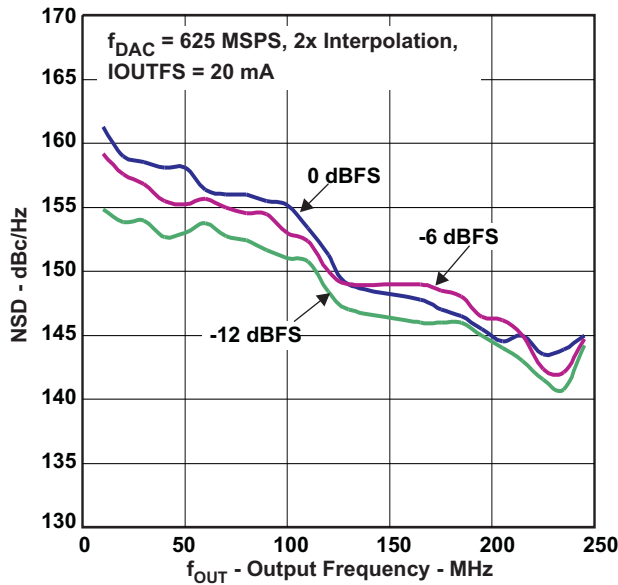


Figure 13. NSD vs Input Scale

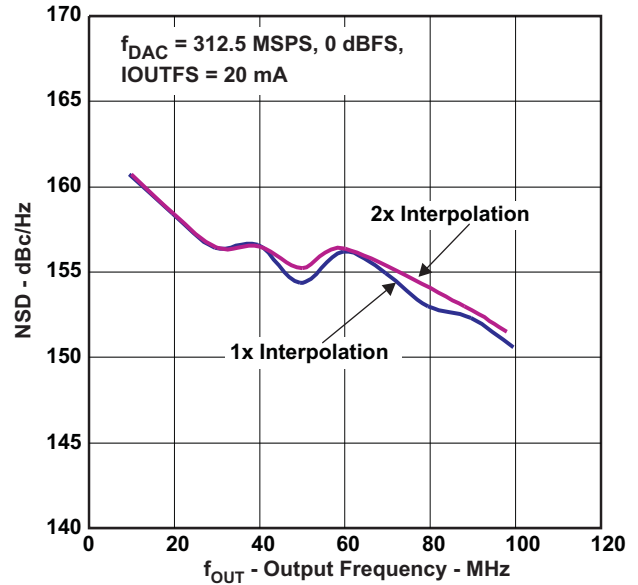


Figure 14. NSD vs Interpolation

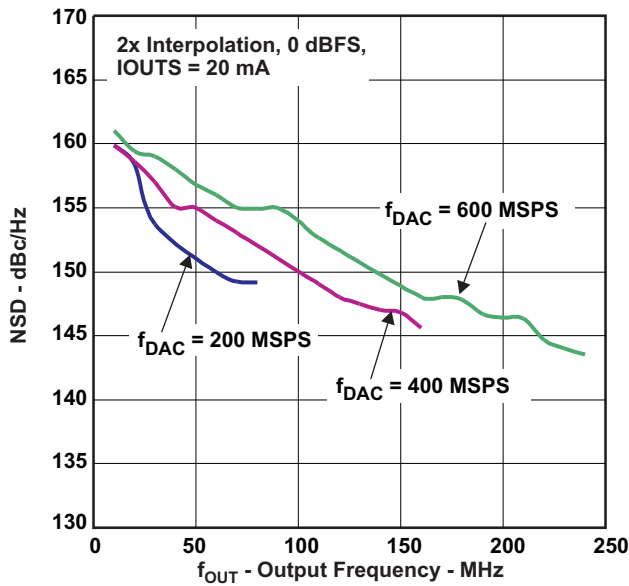


Figure 15. NSD vs f_{DAC}

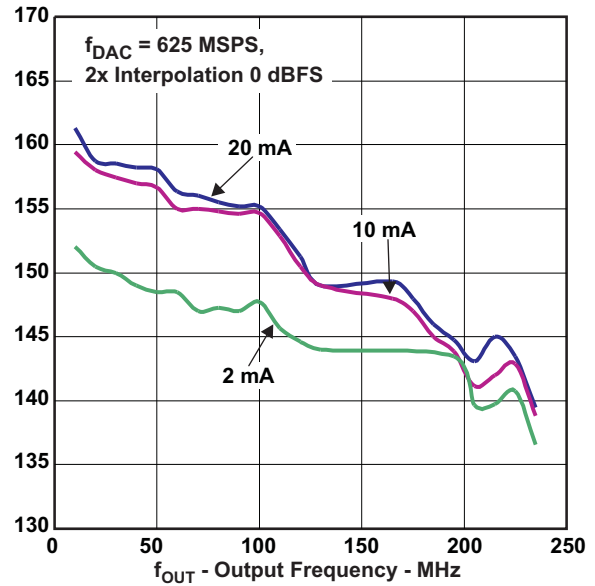


Figure 16. NSD vs I_{OUTFS}

TYPICAL CHARACTERISTICS (continued)

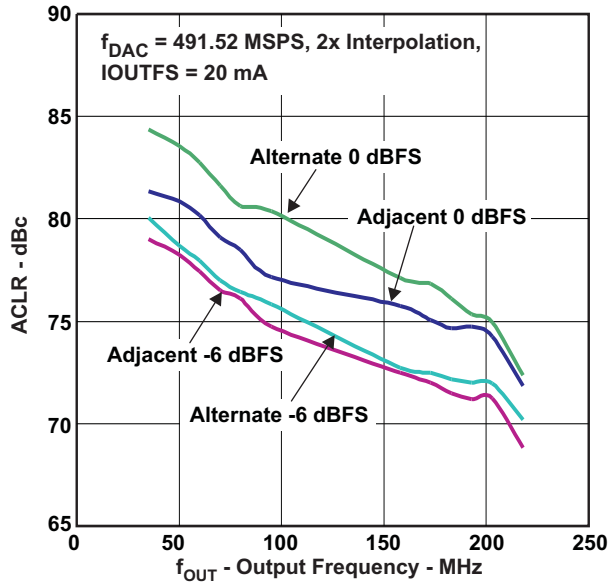


Figure 17. Single Carrier WCDMA ACLR vs Input Scale

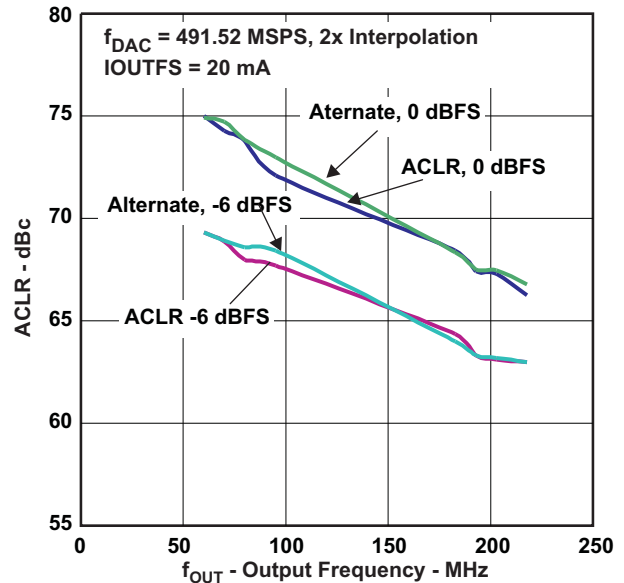


Figure 18. Four Carrier WCDMA ACLR vs Input Scale

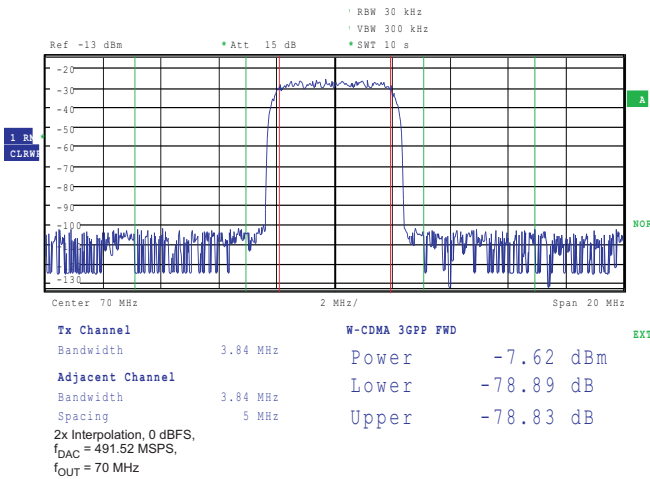


Figure 19. Single Carrier W-CDMA Test Model 1, f_{OUT} = 70 MHz

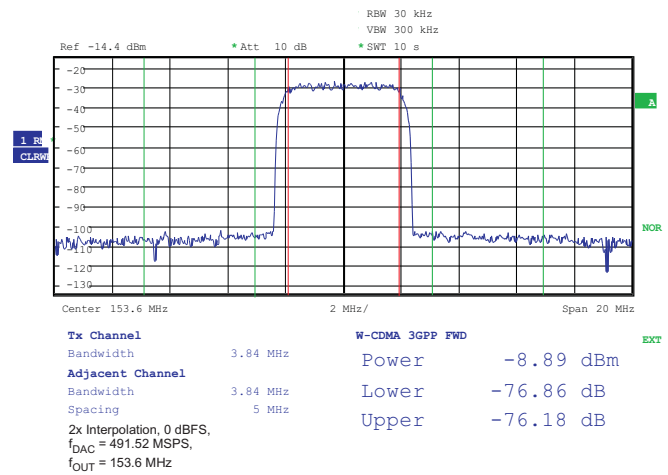


Figure 20. Single Carrier W-CDMA Test Model 1, f_{OUT} = 153.6 MHz

TYPICAL CHARACTERISTICS (continued)

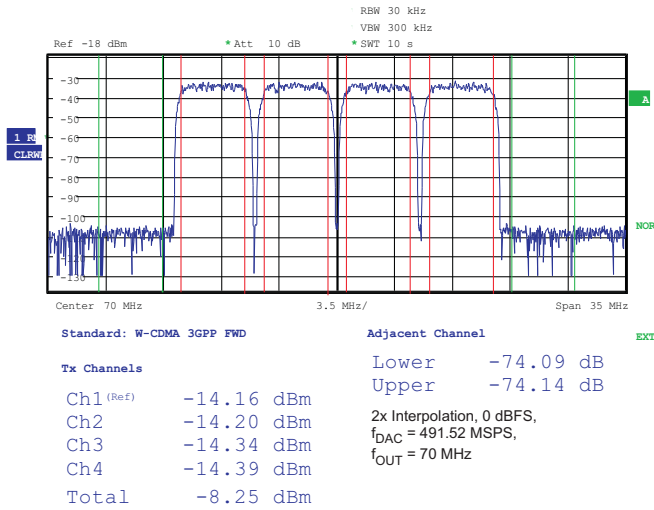


Figure 21. Four Carrier W-CDMA Test Model 1, f_{OUT} = 70 MHz

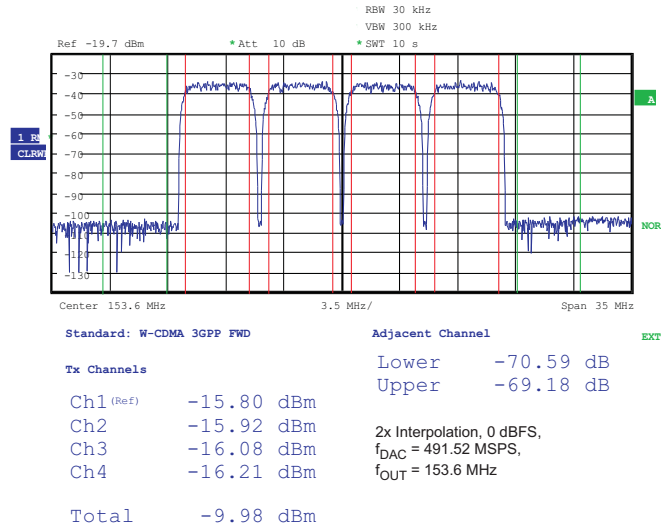


Figure 22. Four Carrier W-CDMA Test Model 1, f_{OUT} = 153.6 MHz

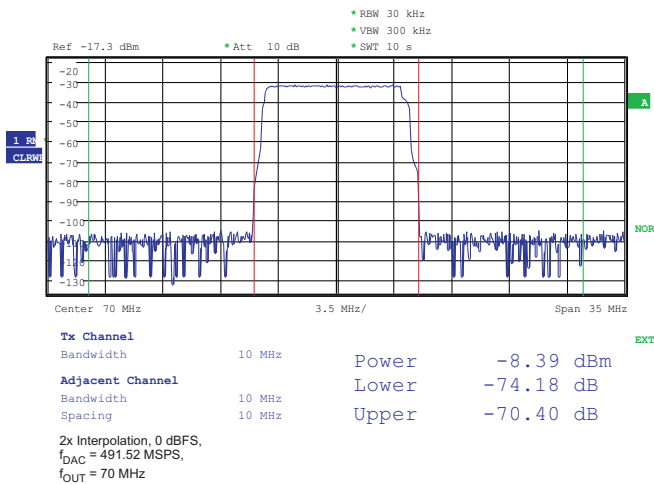


Figure 23. 10MHz Single Carrier LTE, f_{OUT} = 70 MHz

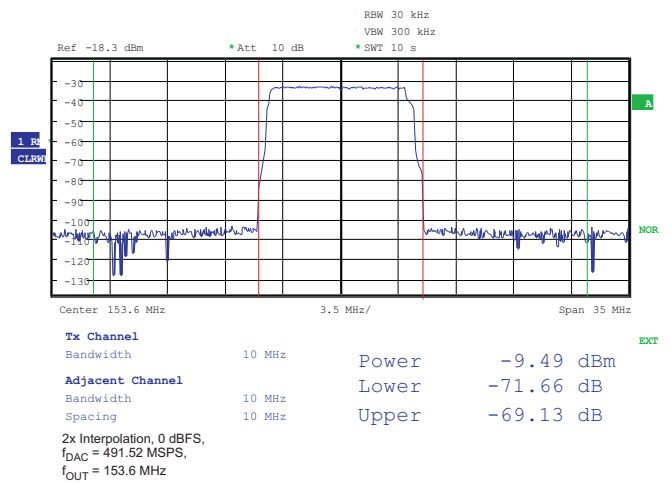


Figure 24. 10MHz Single Carrier LTE, f_{OUT} = 153.6 MHz

TYPICAL CHARACTERISTICS (continued)

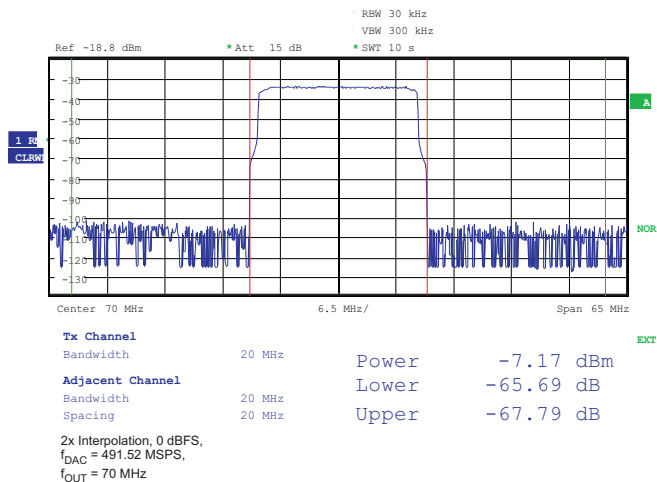


Figure 25. 20MHz Single Carrier LTE, $f_{OUT} = 70$ MHz

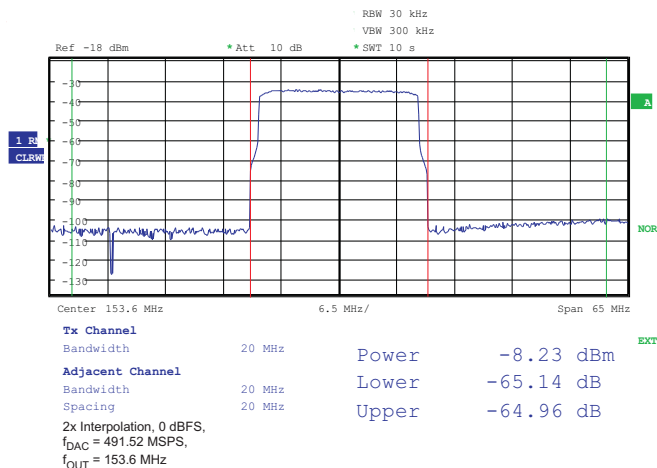


Figure 26. 20MHz Single Carrier LTE, $f_{OUT} = 153.6$ MHz

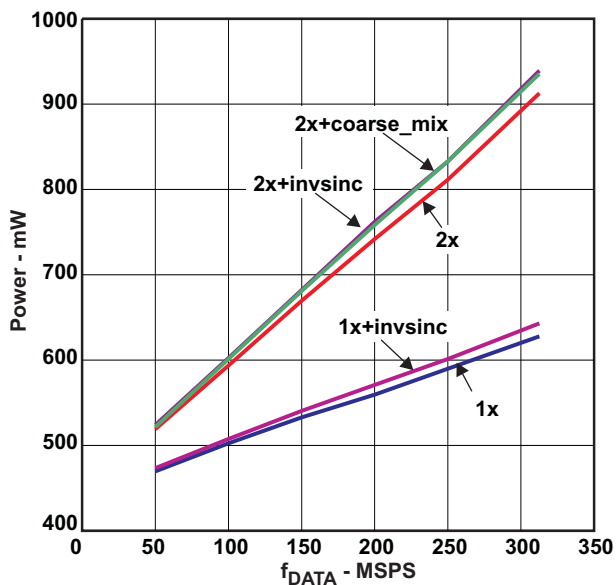


Figure 27. Power vs f_{DATA}

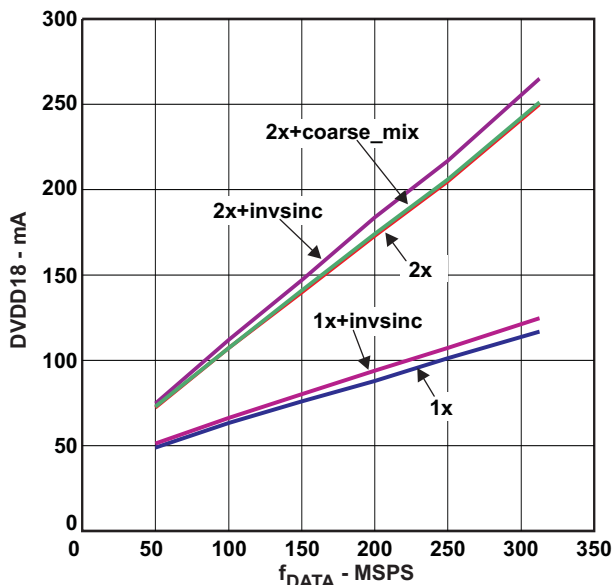


Figure 28. DVDD18 vs f_{DATA}

TYPICAL CHARACTERISTICS (continued)

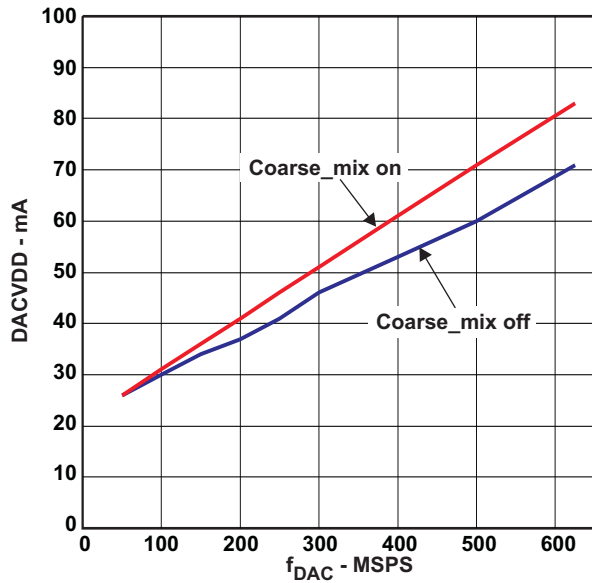


Figure 29. DACVDD18 vs f_{DAC}

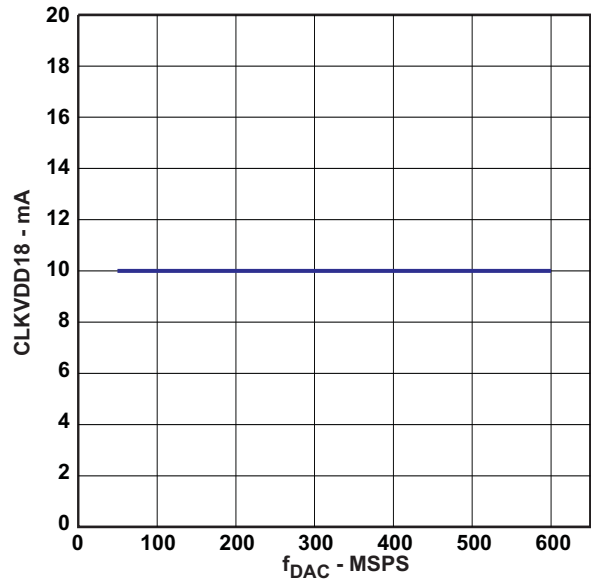


Figure 30. CLKVDD18 vs f_{DAC}

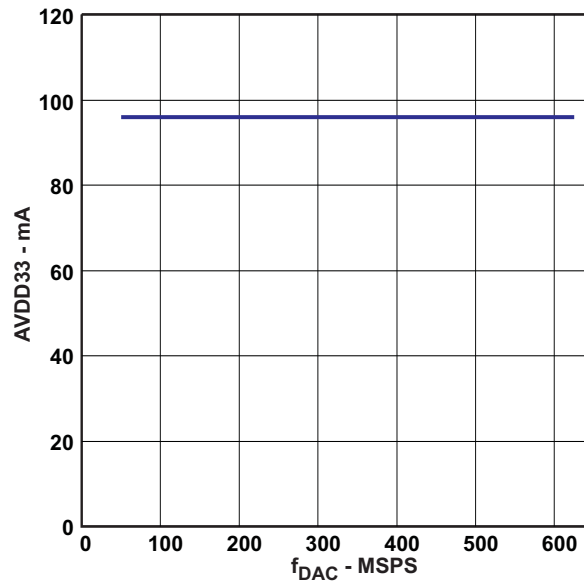


Figure 31. AVDD33 vs f_{DAC}

DEFINITION OF SPECIFICATIONS

Adjacent Carrier Leakage Ratio (ACLR): Defined for a 3.84Mcps 3GPP W-CDMA input signal measured in a 3.84MHz bandwidth at a 5MHz offset from the carrier with a 12dB peak-to-average ratio.

Analog and Digital Power Supply Rejection Ratio (APSSR, DPSSR): Defined as the percentage error in the ratio of the delta IOUT and delta supply voltage normalized with respect to the ideal IOUT current.

Differential Nonlinearity (DNL): Defined as the variation in analog output associated with an ideal 1 LSB change in the digital input code.

Gain Drift: Defined as the maximum change in gain, in terms of ppm of full-scale range (FSR) per °C, from the value at ambient (25°C) to values over the full operating temperature range.

Gain Error: Defined as the percentage error (in FSR%) for the ratio between the measured full-scale output current and the ideal full-scale output current.

Integral Nonlinearity (INL): Defined as the maximum deviation of the actual analog output from the ideal output, determined by a straight line drawn from zero scale to full scale.

Intermodulation Distortion (IMD3): The two-tone IMD3 is defined as the ratio (in dBc) of the 3rd-order intermodulation distortion product to either fundamental output tone.

Offset Drift: Defined as the maximum change in DC offset, in terms of ppm of full-scale range (FSR) per °C, from the value at ambient (25°C) to values over the full operating temperature range.

Offset Error: Defined as the percentage error (in FSR%) for the ratio between the measured mid-scale output current and the ideal mid-scale output current.

Output Compliance Range: Defined as the minimum and maximum allowable voltage at the output of the current-output DAC. Exceeding this limit may result reduced reliability of the device or adversely affecting distortion performance.

Reference Voltage Drift: Defined as the maximum change of the reference voltage in ppm per °C from value at ambient (25°C) to values over the full operating temperature range.

Spurious Free Dynamic Range (SFDR): Defined as the difference (in dBc) between the peak amplitude of the output signal and the peak spurious signal.

Signal to Noise Ratio (SNR): Defined as the ratio of the RMS value of the fundamental output signal to the RMS sum of all other spectral components below the Nyquist frequency, including noise, but excluding the first six harmonics and dc.

APPLICATION INFORMATION

SERIAL INTERFACE

The serial port of the DAC3282 is a flexible serial interface which communicates with industry standard microprocessors and microcontrollers. The interface provides read/write access to all registers used to define the operating modes of DAC3282. It is compatible with most synchronous transfer formats and can be configured as a 3 or 4 pin interface by **sif4_ena** in register **CONFIG23**. In both configurations, SCLK is the serial interface input clock and SDENB is serial interface enable. For 3 pin configuration, SDIO is a bidirectional pin for both data in and data out. For 4 pin configuration, SDIO is data in only and ALARM_SDO is data out only. Data is input into the device with the rising edge of SCLK. Data is output from the device on the falling edge of SCLK.

Each read/write operation is framed by signal SDENB (Serial Data Enable Bar) asserted low for 2 to 5 bytes, depending on the data length to be transferred (1–4 bytes). The first frame byte is the instruction cycle which identifies the following data transfer cycle as read or write, how many bytes to transfer, and what address to transfer the data. [Table 1](#) indicates the function of each bit in the instruction cycle and is followed by a detailed description of each bit. Frame bytes 2 to 5 comprise the data transfer cycle.

Table 1. Instruction Byte of the Serial Interface

	MSB							LSB
Bit	7	6	5	4	3	2	1	0
Description	R/W	N1	N0	A4	A3	A2	A1	A0

R/W Identifies the following data transfer cycle as a read or write operation. A high indicates a read operation from DAC3282 and a low indicates a write operation to DAC3282.

[N1 : N0] Identifies the number of data bytes to be transferred per [Table 2](#). Data is transferred MSB first.

Table 2. Number of Transferred Bytes Within One Communication Frame

N1	N0	Description
0	0	Transfer 1 Byte
0	1	Transfer 2 Bytes
1	0	Transfer 3 Bytes
1	1	Transfer 4 Bytes

[A4 : A0] Identifies the address of the register to be accessed during the read or write operation. For multi-byte transfers, this address is the starting address. Note that the address is written to the DAC3282 MSB first and counts down for each byte.

[Figure 32](#) shows the serial interface timing diagram for a DAC3282 write operation. SCLK is the serial interface clock input to DAC3282. Serial data enable SDENB is an active low input to DAC3282. SDIO is serial data in. Input data to DAC3282 is clocked on the rising edges of SCLK.

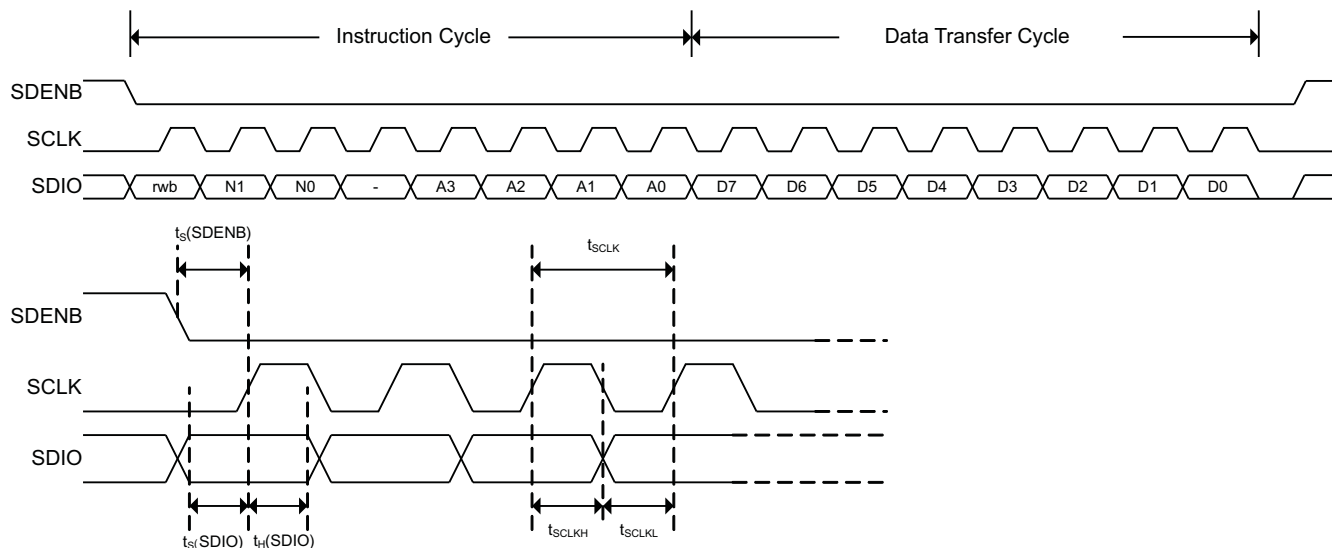


Figure 32. Serial Interface Write Timing Diagram

Figure 33 shows the serial interface timing diagram for a DAC3282 read operation. SCLK is the serial interface clock input to DAC3282. Serial data enable SDENB is an active low input to DAC3282. SDIO is serial data in during the instruction cycle. In 3 pin configuration, SDIO is data out from DAC3282 during the data transfer cycle(s), while ALARM_SDO is in a high-impedance state. In 4 pin configuration, ALARM_SDO is data out from DAC3282 during the data transfer cycle(s). At the end of the data transfer, ALARM_SDO will output low on the final falling edge of SCLK until the rising edge of SDENB when it will 3-state.

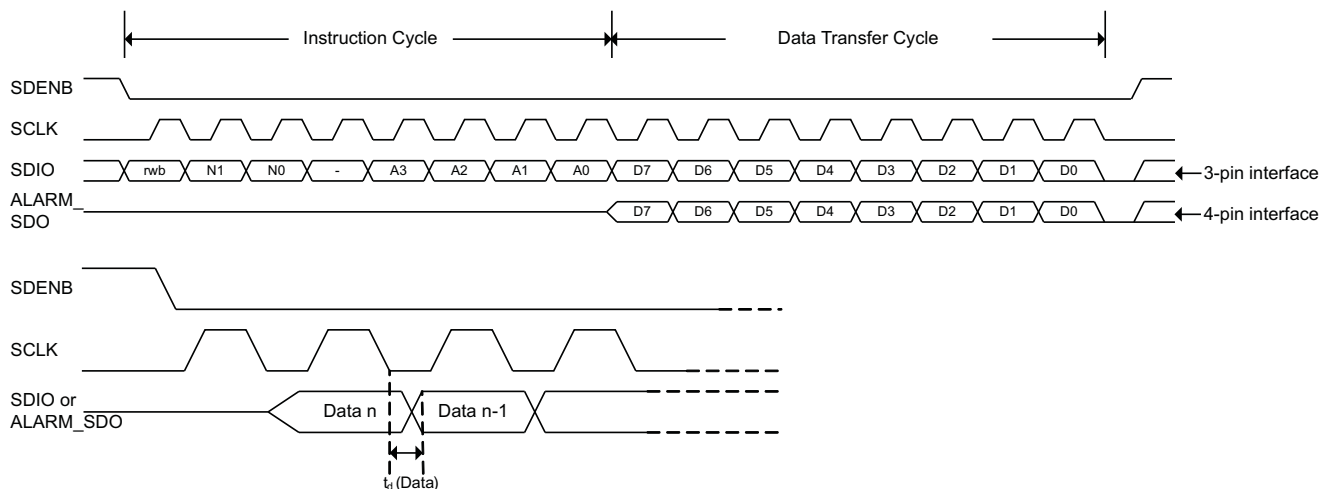


Figure 33. Serial Interface Read Timing Diagram

REGISTER DESCRIPTIONS

Register Map

Table 3. Register Map

Name	Address	Default	(MSB) Bit 7	Bit 6	Bit 5	Bit 4	Bit 3	Bit 2	Bit 1	(LSB) Bit 0	
CONFIG0	0x00	0x70	qmc_offset_ena	fifo_ena	fifo_reset_ena	multi_sync_ena	alarm_out_ena	alarm_pol	mixer_func(1:0)		
CONFIG1	0x01	0x11	unused	unused	unused	fir_ena	fir4_ena	iotest_ena	unused	twos	
CONFIG2	0x02	0x00	unused	unused	unused	unused	output_delay(3:0)				
CONFIG3	0x03	0x10	64cnt_ena	unused	unused	fifo_offset(2:0)		alarm_2away_ena	alarm_1away_ena		
CONFIG4	0x04	0xFF	coarse_daca(3:0)				coarse_dacb(3:0)				
CONFIG5	0x05	N/A	tempdata(7:0)								
CONFIG6	0x06	0x00	unused	alarm_mask(6:0)							
CONFIG7	0x07	0x00	unused	alarm_from_zerochk	alarm_fifo_collision	reserved	alarm_from_iotest	unused	alarm_fifo_2away	alarm_fifo_1away	
CONFIG8	0x08	0x00	iotest_results(7:0)								
CONFIG9	0x09	0x7A	iotest_pattern0(7:0)								
CONFIG10	0x0A	0xB6	iotest_pattern1(7:0)								
CONFIG11	0x0B	0xEA	iotest_pattern2(7:0)								
CONFIG12	0x0C	0x45	iotest_pattern3(7:0)								
CONFIG13	0x0D	0x1A	iotest_pattern4(7:0)								
CONFIG14	0x0E	0x16	iotest_pattern5(7:0)								
CONFIG15	0x0F	0xAA	iotest_pattern6(7:0)								
CONFIG16	0x10	0xC6	iotest_pattern7(7:0)								
CONFIG17	0x11	0x00	reserved	reserved	reserved	reserved					
CONFIG18	0x12	0x02	reserved			reserved	daca_complement	dacb_complement	clkdiv_sync_ena	unused	
CONFIG19	0x13	0x00	bequalsa	aequalsb	reserved	unused	unused	unused	multi_sync_sel	rev	
CONFIG20	0x14	0x00	qmc_offseta(7:0)								
CONFIG21	0x15	0x00	qmc_offsetb(7:0)								
CONFIG22	0x16	0x00	qmc_offseta(12:8)					unused	unused	unused	
CONFIG23	0x17	0x00	qmc_offsetb(12:8)					sif4_ena	clkpath_sleep_a	clkpath_sleep_b	
CONFIG24	0x18	0x83	tsense_ena	clkrecv_sleep	unused	reserved	sleepb	sleepa	reserved	reserved	
CONFIG25	0x19	0x00	reserved					extref_ena	reserved	reserved	
CONFIG26	0x1A	0x00	unused	unused	unused	unused	unused	reserved			
CONFIG27	0x1B	0x00	reserved								
CONFIG28	0x1C	0x00	reserved								
CONFIG29	0x1D	0x00	reserved								
CONFIG30	0x1E	0x00	reserved								
VERSION31	0x1F	0x43	deviceid(1:0)			version(5:0)					

Register name: CONFIG0 – Address: 0x00, Default: 0x70

Register Name	Address	Bit	Name	Function	Default Value									
CONFIG0	0x00	7	qmc_offset_ena	When asserted the DAC offset correction is enabled.	0									
		6	fifoin_ena	When asserted the FIFO is enabled. When the FIFO is bypassed DACCLKP/N and DATACLKP/N must be aligned to within t_{align}	1									
		5	fifo_reset_ena	Allows the FRAME input to act as a FIFO write reset when asserted..	1									
		4	multi_sync_ena	Allows the FRAME or OSTR signals to be used as a sync signal when asserted. This selection is determined by multi_sync_sel in register CONFIG19.	1									
		3	alarm_out_ena	When asserted the ALARM_SDO pin becomes an output. The functionality of this pin is controlled by the CONFIG6 alarm_mask setting.	0									
		2	alarm_pol	This bit changes the polarity of the ALARM signal. (0=negative logic, 1=positive)	0									
		1:0	mixer_func(1:0)	Controls the function of the mixer block.	00									
			<table border="1"> <thead> <tr> <th>Mode</th> <th>mixer_func(1:0)</th> </tr> </thead> <tbody> <tr> <td>Normal</td> <td>00</td> </tr> <tr> <td>High Pass(Fs/2)</td> <td>01</td> </tr> <tr> <td>Fs/4</td> <td>10</td> </tr> <tr> <td>-Fs/4</td> <td>11</td> </tr> </tbody> </table>	Mode	mixer_func(1:0)	Normal	00	High Pass(Fs/2)	01	Fs/4	10	-Fs/4	11	
Mode	mixer_func(1:0)													
Normal	00													
High Pass(Fs/2)	01													
Fs/4	10													
-Fs/4	11													

Register name: CONFIG1 – Address: 0x01, Default: 0x11

Register Name	Address	Bit	Name	Function	Default Value
CONFIG1	0x01	7	Unused	Reserved for factory use.	0
		6	Unused	Reserved for factory use.	0
		5	Unused	Reserved for factory use.	0
		4	fir_ena	When asserted the chip does 2X interpolation of the data.	1
		3	fir4_ena	When asserted, the zero-IF sinc correction filter is enabled. This filter cannot be used unless fir_ena is asserted.	0
		2	iotest_ena	When asserted enables the data pattern checker operation.	0
		1	Unused	Reserved for factory use.	0
		0	twos	When asserted the inputs are expected to be in 2's complement format. When de-asserted the input format is expected to be offset-binary.	1

Register name: CONFIG2 – Address: 0x02, Default: 0x00

Register Name	Address	Bit	Name	Function	Default Value
CONFIG2	0x02	7	Unused	Reserved for factory use.	0
		6	Unused	Reserved for factory use.	0
		5	Unused	Reserved for factory use.	0
		4	Unused	Reserved for factory use.	0
		3:0	output_delay(3:0)	Delays the output to the DACs from 0 to 15 DAC clock cycles.	0000

Register name: CONFIG3 – Address: 0x03, Default: 0x10

Register Name	Address	Bit	Name	Function	Default Value
CONFIG1	0x00	7	64cnt_ena	This enables resetting the alarms after 64 good samples with the goal of removing unnecessary errors. For instance, when checking setup/hold through the pattern checker test, there may initially be errors. Setting this bit removes the need for a SIF write to clear the alarm register.	0
		6	Unused	Reserved for factory use.	0
		5	Unused	Reserved for factory use.	0
		4:2	fifo_offset(2:0)	When the FIFO is reset, this is the value loaded into the FIFO read pointer. With this value the initial difference between write and read pointers can be controlled. This may be helpful in controlling the delay through the device.	100
		1	alarm_2away_ena	When asserted alarms from the FIFO that represent the write and read pointers being 2 away are enabled.	0
		0	alarm_1away_ena	When asserted alarms from the FIFO that represent the write and read pointers being 1 away are enabled.	0

Register name: CONFIG4 – Address: 0x04, Default: 0xFF

Register Name	Address	Bit	Name	Function	Default Value
CONFIG4	0x04	7:4	coarse_daca(3:0)	Scales the output current in 16 equal steps. $\frac{V_{EXTIO}}{R_{bias}} \times (coarse_daca/b+1)$	1111
		3:0	coarse_dacb(3:0)	Scales the output current in 16 equal steps.	1111

Register name: CONFIG5 – Address: 0x05, READ ONLY

Register Name	Address	Bit	Name	Function	Default Value
CONFIG5	0x05	7:0	tempdata(7:0)	This is the output from the chip temperature sensor. The value of this register in two's complement format represents the temperature in degrees Celsius. This register must be read with a minimum SCLK period of 1µs. (Read Only)	N/A

Register name: CONFIG6 – Address: 0x06, Default: 0x00

Register Name	Address	Bit	Name	Function	Default Value																
CONFIG6	0x06	7	Unused	Reserved for factory use.	0																
		6:0	alarm_mask(6:0)	These bits control the masking of the alarm outputs. This means that the ALARM_SDO pin will not be asserted if the appropriate bit is set. The alarm will still show up in the CONFIG7 bits. (0=not masked, 1=masked). <table border="1" style="width: 100%; margin-top: 10px;"> <thead> <tr> <th>alarm_mask</th> <th>Masked Alarm</th> </tr> </thead> <tbody> <tr> <td>6</td> <td>alarm_from_zerochk</td> </tr> <tr> <td>5</td> <td>alarm_fifo_collision</td> </tr> <tr> <td>4</td> <td>reserved</td> </tr> <tr> <td>3</td> <td>alarm_from_iotest</td> </tr> <tr> <td>2</td> <td>not used (expansion)</td> </tr> <tr> <td>1</td> <td>alarm_fifo_2away</td> </tr> <tr> <td>0</td> <td>alarm_fifo_1away</td> </tr> </tbody> </table>	alarm_mask	Masked Alarm	6	alarm_from_zerochk	5	alarm_fifo_collision	4	reserved	3	alarm_from_iotest	2	not used (expansion)	1	alarm_fifo_2away	0	alarm_fifo_1away	0000000
alarm_mask	Masked Alarm																				
6	alarm_from_zerochk																				
5	alarm_fifo_collision																				
4	reserved																				
3	alarm_from_iotest																				
2	not used (expansion)																				
1	alarm_fifo_2away																				
0	alarm_fifo_1away																				

Register name: CONFIG7 – Address: 0x07, Default: 0x00 (WRITE TO CLEAR)

Register Name	Address	Bit	Name	Function	Default Value
CONFIG7	0x07	7	Unused	Reserved for factory use.	0
		6	alarm_from_zerochk	When this bit is asserted the FIFO write pointer has an all zeros pattern in it. Since this pointer is a shift register, all zeros will cause the input point to be stuck until the next sync. This alarm allows checking for this condition.	0
		5	alarm_fifo_collision	Alarm occurs when the FIFO pointers over/under run each other.	0
		4	Reserved	Reserved for factory use.	0
		3	alarm_from_iotest	This is asserted when the input data pattern does not match the pattern in the iotest_pattern registers.	0
		2	Unused	Reserved for factory use.	0
		1	alarm_fifo_2away	Alarm occurs with the read and write pointers of the FIFO are within 2 addresses of each other.	0
		0	alarm_fifo_1away	Alarm occurs with the read and write pointers of the FIFO are within 1 address of each other.	0

Register name: CONFIG8 – Address: 0x08, Default: 0x00 (WRITE TO CLEAR)

Register Name	Address	Bit	Name	Function	Default Value
CONFIG8	0x08	7:0	iotest_results(7:0)	The values of these bits tell which bit in the word failed during the pattern checker test.	0x00

Register name: CONFIG9 – Address: 0x09, Default: 0x7A

Register Name	Address	Bit	Name	Function	Default Value
CONFIG9	0x09	7:0	iotest_pattern0(7:0)	This is dataword0 in the IO test pattern. It is used with the seven other words to test the input data.	0x7A

Register name: CONFIG10 – Address: 0x0A, Default: 0xB6

Register Name	Address	Bit	Name	Function	Default Value
CONFIG10	0x0A	7:0	iotest_pattern1(7:0)	This is dataword1 in the IO test pattern. It is used with the seven other words to test the input data.	0xB6

Register name: CONFIG11 – Address: 0x0B, Default: 0xEA

Register Name	Address	Bit	Name	Function	Default Value
CONFIG11	0x0B	7:0	iotest_pattern2(7:0)	This is dataword2 in the IO test pattern. It is used with the seven other words to test the input data.	0xEA

Register name: CONFIG12 – Address: 0x0C, Default: 0x45

Register Name	Address	Bit	Name	Function	Default Value
CONFIG12	0x0C	7:0	iotest_pattern3(7:0)	This is dataword3 in the IO test pattern. It is used with the seven other words to test the input data.	0x45

Register name: CONFIG13 – Address: 0x0D, Default: 0x1A

Register Name	Address	Bit	Name	Function	Default Value
CONFIG13	0x0D	7:0	iotest_pattern4(7:0)	This is dataword4 in the IO test pattern. It is used with the seven other words to test the input data.	0x1A

Register name: CONFIG14 – Address: 0x0E, Default: 0x16

Register Name	Address	Bit	Name	Function	Default Value
CONFIG14	0x0E	7:0	iotest_pattern5(7:0)	This is dataword5 in the IO test pattern. It is used with the seven other words to test the input data.	0x16

Register name: CONFIG15 – Address: 0x0F, Default: 0xAA

Register Name	Address	Bit	Name	Function	Default Value
CONFIG15	0x0F	7:0	iotest_pattern6(7:0)	This is dataword6 in the IO test pattern. It is used with the seven other words to test the input data.	0xAA

Register name: CONFIG16 – Address: 0x10, Default: 0xC6

Register Name	Address	Bit	Name	Function	Default Value
CONFIG16	0x10	7:0	iotest_pattern7(7:0)	This is dataword7 in the IO test pattern. It is used with the seven other words to test the input data.	0xC6

Register name: CONFIG17 – Address: 0x11, Default: 0x00

Register Name	Address	Bit	Name	Function	Default Value
CONFIG17	0x11	7:6	Reserved	Reserved for factory use.	00
		5	Reserved	Reserved for factory use.	0
		4	Reserved	Reserved for factory use.	0
		3:0	Reserved	Reserved for factory use.	0000

Register name: CONFIG18 – Address: 0x12, Default: 0x02

Register Name	Address	Bit	Name	Function	Default Value
CONFIG18	0x12	7:5	Reserved	Reserved for factory use.	000
		4	Reserved	Reserved for factory use.	0
		3	daca_complement	When asserted the output to the DACA is complemented. This allows to effectively change the + and – designations of the LVDS data lines.	0
		2	dacb_complement	When asserted the output to the DACB is complemented. This allows to effectively change the + and – designations of the LVDS data lines.	0
		1	clkdiv_sync_ena	Enables the syncing of the clock divider using the OSTR signal or the FRAME signal passed through the FIFO. This selection is determined by multi_sync_sel in register CONFIG19. Syncing of the clock divider should be done only during device initialization.	1
		0	Unused	Reserved for factory use.	0

Register name: CONFIG19 – Address: 0x13, Default: 0x00

Register Name	Address	Bit	Name	Function	Default Value					
CONFIG19	0x13	7	bequalsa	When asserted the DACA data is driven onto DACB.	0					
		6	aequalsb	When asserted the DACB data is driven onto DACA.	0					
		5	Reserved	Reserved for factory use.	0					
		4	Unused	Reserved for factory use.	0					
		3	Unused	Reserved for factory use.	0					
		2	Unused	Reserved for factory use.	0					
		1	multi_sync_sel	Selects the signal source for multiple device and clock divider synchronization.	0					
				<table border="1"> <thead> <tr> <th>multit_sync_sel</th> <th>Sync Source</th> </tr> </thead> <tbody> <tr> <td>0</td> <td>OSTR</td> </tr> <tr> <td>1</td> <td>FRAME through FIFO handoff</td> </tr> </tbody> </table>		multit_sync_sel	Sync Source	0	OSTR	1
multit_sync_sel	Sync Source									
0	OSTR									
1	FRAME through FIFO handoff									
	0	rev	Reverse the input bits for the data word. MSB becomes LSB.	0						

Register name: CONFIG20 – Address: 0x14, Default: 0x00 (CAUSES AUTOSYNC)

Register Name	Address	Bit	Name	Function	Default Value
CONFIG20	0x14	7:0	qmc_offseta(7:0)	Lower 8 bits of the DAC A offset correction. The offset is measured in DAC LSBs. Writing this register causes an autosync to be generated. This loads the values of all four qmc_offset registers (CONFIG20-CONFIG23) into the offset block at the same time. When updating the offset values CONFIG20 should be written last. Programming any of the other three registers will not affect the offset setting.	0x00

Register name: CONFIG21 – Address: 0x15, Default: 0x00

Register Name	Address	Bit	Name	Function	Default Value
CONFIG21	0x15	7:0	qmc_offsetb(7:0)	Lower 8 bits of the DAC B offset correction. The offset is measured in DAC LSBs.	0x00

Register name: CONFIG22 – Address: 0x16, Default: 0x00

Register Name	Address	Bit	Name	Function	Default Value
CONFIG22	0x16	7:3	qmc_offseta(12:8)	Upper 5 bits of the DAC A offset correction.	00000
		2	Unused	Reserved for factory use.	0
		1	Unused	Reserved for factory use.	0
		0	Unused	Reserved for factory use.	0

Register name: CONFIG23 – Address: 0x27, Default: 0x00

Register Name	Address	Bit	Name	Function	Default Value
CONFIG23	0x17	7:3	qmc_offsetb(12:8)	Upper 5 bits of the DAC B offset correction.	00000
		2	sif4_ena	When asserted the SIF interface becomes a 4 pin interface. The ALARM_SDO pin is turned into a dedicated output for the reading of data.	0
		1	clkpath_sleep_a	When asserted puts the clock path through DAC A to sleep. This is useful for sleeping individual DACs. Even if the DAC is asleep the clock needs to pass through it for the logic to work. However, if the chip is being put into a power down mode, then all parts of the DAC can be turned off.	0
		0	clkpath_sleep_b	When asserted puts the clock path through DAC B to sleep.	0

Register name: CONFIG24 – Address: 0x18, Default: 0x83

Register Name	Address	Bit	Name	Function	Default Value
CONFIG24	0x18	7	tsense_ena	Turns on the temperature sensor when asserted.	1
		6	clkrecv_sleep	When asserted the clock input receiver gets put into sleep mode. This also affects the OSTR receiver.	0
		5	Unused	Reserved for factory use.	0
		4	Reserved	Reserved for factory use.	0
		3	sleepb	When asserted DACB is put into sleep mode.	0
		2	sleepa	When asserted DACA is put into sleep mode.	0
		1	Reserved	Reserved for factory use.	1
		0	Reserved	Reserved for factory use.	1

Register name: CONFIG25 – Address: 0x19, Default: 0x00

Register Name	Address	Bit	Name	Function	Default Value
CONFIG25	0x19	7:3	Reserved	Reserved for factory use.	00000
		2	extref_ena	Allows the device to use an external reference or the internal reference. (0=internal, 1=external)	0
		1	Reserved	Reserved for factory use.	0
		0	Reserved	Reserved for factory use.	0

Register name: CONFIG26 – Address: 0x1A, Default: 0x00

Register Name	Address	Bit	Name	Function	Default Value
CONFIG26	0x1A	7	Unused	Reserved for factory use.	0
		6	Unused	Reserved for factory use.	0
		5	Unused	Reserved for factory use.	0
		4	Unused	Reserved for factory use.	0
		3	Unused	Reserved for factory use.	0
		2:0	Reserved	Reserved for factory use.	000

Register name: CONFIG27 – Address: 0x1B, Default: 0x00

Register Name	Address	Bit	Name	Function	Default Value
CONFIG27	0x1B	7:0	Reserved	Reserved for factory use.	0x00

Register name: CONFIG28 – Address: 0x1C, Default: 0x00

Register Name	Address	Bit	Name	Function	Default Value
CONFIG28	0x1C	7:0	Reserved	Reserved for factory use.	0x00

Register name: CONFIG29 – Address: 0x1D, Default: 0x00

Register Name	Address	Bit	Name	Function	Default Value
CONFIG29	0x1D	7:0	Reserved	Reserved for factory use.	0x00

Register name: CONFIG30 – Address: 0x1E, Default: 0x00

Register Name	Address	Bit	Name	Function	Default Value
CONFIG30	0x1E	7:0	Reserved	Reserved for factory use.	0x00

Register name: VERSION31 – Address: 0x1F, Default: 0x43 (READ ONLY)

Register Name	Address	Bit	Name	Function	Default Value
VERSION31	0x1F	7:0	deviceid(1:0)	Returns '01' for DAC3282. (Read Only)	01
		5:0	version(5:0)	A hardwired register that contains the version of the chip. (Read Only)	000011

FUNCTIONAL DESCRIPTION

DATA INTERFACE

The DAC3282 has a single 8-bit LVDS bus that accepts dual, 16-bit data input in byte-wide format. Data into the DAC3282 is formatted according to the diagram shown in Figure 34 where index 0 is the data LSB and index 15 is the data MSB. The data is sampled by DATACLK, a double data rate (DDR) clock.

The FRAME signal is required to indicate the beginning of a frame. The frame signal can be either a pulse or a periodic signal where the frame period corresponds to 8 samples. The pulse-width (t_{FRAME}) needs to be at least equal to $1/2f$ the DATACLK period. FRAME is sampled by a rising edge in DATACLK.

The setup and hold requirements listed in the specifications tables must be met to ensure proper sampling.

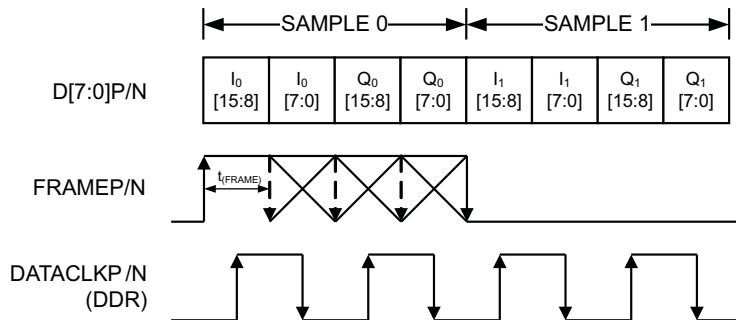


Figure 34. Byte-Wide Data Transmission Format

INPUT FIFO

The DAC3282 includes a 2-channel, 16-bits wide and 8-samples deep input FIFO which acts as an elastic buffer. The purpose of the FIFO is to absorb any timing variations between the input data and the internal DAC data rate clock such as the ones resulting from clock-to-data variations from the data source.

Figure 35 shows the block diagram of the FIFO.

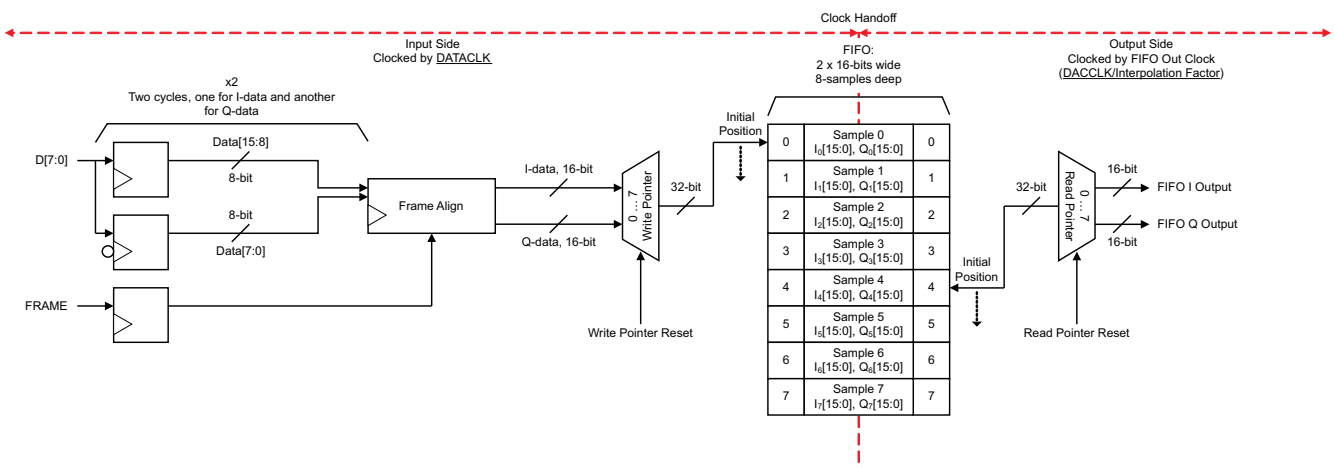


Figure 35. DAC3282 FIFO Block Diagram

Data is written to the device 8-bits at a time on the rising and falling edges of DATACLK. In order to form a complete 32-bit wide sample (16-bit I-data and 16-bit Q-data) two DATACLK periods are required as shown in

Figure 36. Each 32-bit wide sample is written into the FIFO at the address indicated by the write pointer. Similarly, data from the FIFO is read by the FIFO Out Clock 32-bits at a time from the address indicated by the read pointer. The FIFO Out Clock is generated internally from the DACCLK signal and its rate is equal to DACCLK/Interpolation. Each time a FIFO write or FIFO read is done the corresponding pointer moves to the next address.

The reset position for the FIFO read and write pointers is set by default to addresses 0 and 4 as shown in **Figure 35**. This offset gives optimal margin within the FIFO. The default read pointer location can be set to another value using `fifo_offset(2:0)` in register CONFIG3. Under normal conditions data is written-to and read-from the FIFO at the same rate and consequently the write and read pointer gap remains constant. If the FIFO write and read rates are different, the corresponding pointers will be cycling at different speeds which could result in pointer collision. Under this condition the FIFO attempts to read and write data from the same address at the same time which will result in errors and thus must be avoided.

The FRAME signal besides acting as a frame indicator can also be used to reset the FIFO pointers to their initial location. Unlike Data, the FRAME signal is latched only on the rising edges of DATACLK. When a rising edge occurs on FRAME, the pointers will return to their original position. The write pointer is always set back to position 0 upon reset. The read pointer reset position is determined by `fifo_offset` (address 4 by default).

The reset can be done periodically or only once during initialization as the pointer automatically returns to the initial position when the FIFO has been filled. To enable a single reset, `fifo_reset_ena` (CONFIG0, bit 5) must be set to 0 after initialization.

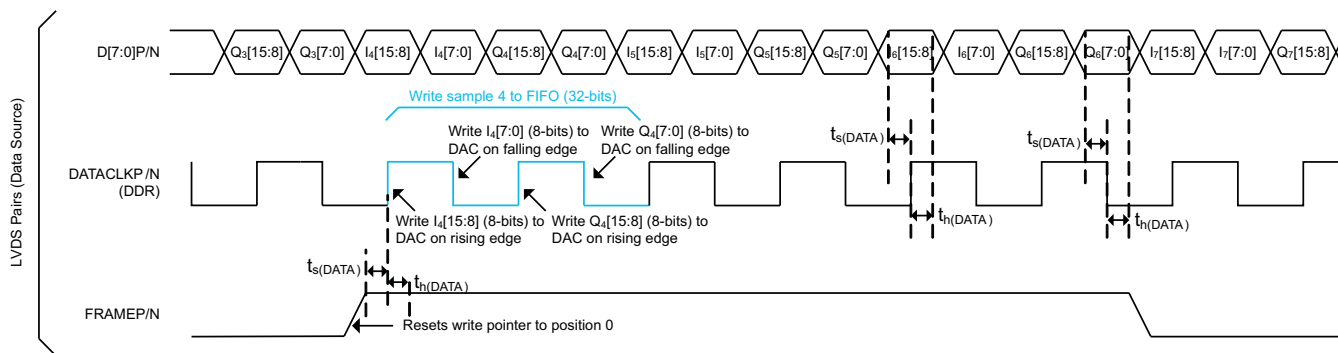


Figure 36. FIFO Write Description

FIFO ALARMS

The FIFO only operates correctly when the write and read pointers are positioned properly. If either pointer over or under runs the other, samples will be duplicated or skipped. To prevent this, register CONFIG7 can be used to track three FIFO related alarms:

- `alarm_fifo_2away`. Occurs when the pointers are within two addresses of each other.
- `alarm_fifo_1away`. Occurs when the pointers are within one address of each other.
- `alarm_fifo_collision`. Occurs when the pointers are equal to each other.

These three alarm events are generated asynchronously with respect to the clocks and can be accessed either through CONFIG7 or through the ALARM_SDO pin.

FIFO MODES OF OPERATION

The DAC3282 FIFO can be completely bypassed through register CONFIG0. The register configuration for each mode is described in [Table 4](#).

Register	Control Bits
CONFIG0	<code>fifo_ena</code> , <code>fifo_reset_ena</code> , <code>multi_sync_ena</code>

Table 4. FIFO Operation Modes

FIFO Mode	CONFIG0 FIFO Bits		
	fifo_ena	fifo_reset_ena	multi_sync_ena
Enabled	1	1	1
Bypass	0	X	X

Enabled Mode

This is the recommended mode of operation for the DAC3282. In FIFO enabled mode, the FIFO is active and can be reset continuously or only once during initialization. To reset only once, fifo_reset_ena must be set to 0 after initialization.

Bypass Mode

In FIFO bypass mode, the FIFO block is not used. As a result the input data is handed off from the DATACLK to the DACCLK domain without any compensation. In this mode the relationship between DATACLK and DACCLK (t_{align}) is critical and used as a synchronizing mechanism for the internal logic. Due to the t_{align} constraint it is highly recommended that a clock synchronizer device such as Texas Instruments' CDCM7005 or CDCE62005 is used to provide both clock inputs. In bypass mode the pointers have no effect on the data path or handoff.

DATA PATTERN CHECKER

The DAC3282 incorporates a simple pattern checker test in order to determine errors in the data interface. The test mode is enabled by asserting iotest_ena in register CONFIG1. In test mode the analog outputs are deactivated regardless of the state of TXENABLE.

The data pattern key used for the test is 8 words long and is specified by the contents of iotest_pattern[0:7] in registers CONFIG9 through CONFIG16. The data pattern key can be modified by changing the contents of these registers.

The first word in the test frame is determined by a rising edge transition in FRAMEP/N. The test mode determines if one or more words were received incorrectly by comparing the received data against the data pattern key. The bits in iotest_results(7:0) in register CONFIG8 indicate which words were received incorrectly. Furthermore, an error condition will trigger the alarm_from_iotest bit in register CONFIG7. Once set, the alarm_from_iotest bit must be reset through the serial interface to allow further testing. Alternatively, the 64cnt_ena bit in register CONFIG3 can be enabled to reset the alarms automatically after 64 good samples without the need for a SIF write to clear the alarm.

FIR FILTERS

The DAC3282 has two FIR filters, a 2x interpolation FIR (FIR0) and a non-interpolating FIR (FIR4) that compensates for the sinc droop of the DAC on zero-IF applications. The correction filter is placed before the interpolating filter and can only be used with both FIRs enabled.

[Figure 37](#) shows the magnitude spectrum response for FIR0, a 59-tap interpolating half-band filter. The transition band is from 0.4 to $0.6 \times f_{IN}$ (the input data rate for the FIR filter) with < 0.002 dB of pass-band ripple and > 85 dB stop-band attenuation. [Figure 38](#) shows the transition band region from 0.36 to $0.46 \times f_{IN}$. Up to $0.45 \times f_{IN}$ there is less than 0.5 dB of attenuation.

The DAC sample and hold operation results in the well known $\sin(x)/x$ or $\text{sinc}(x)$ frequency response shown in [Figure 39](#) (red line). The DAC3282 has a 5-tap inverse sinc filter (FIR4) placed before the 2x interpolation filter to compensate for this effect up to $0.2 \times f_{DAC}$. The inverse sinc filter runs at the input data rate and is operational only if the 2x interpolation filter is enabled as well, correspondingly the rate of this filter is always half of the DAC update rate. As a result, the filter cannot completely flatten the frequency response of the sample and hold output as shown in [Figure 39](#).

[Figure 40](#) shows the magnitude spectrum for FIR4 over the correction range. The inverse sinc filter response ([Figure 40](#), black line) has approximately the opposite frequency response to $\sin(x)/x$ between 0 to $0.2 \times f_{DAC}$, resulting in the corrected response in [Figure 40](#) (blue line). Between 0 to $0.2 \times f_{DAC}$, the inverse sinc filter compensates for the sample and hold roll-off with less than 0.04-dB error.

The zero-IF sinc filter has a gain > 1 at all frequencies. Therefore, the input data must be reduced from full scale to prevent saturation in the filter. The amount of back-off required depends on the signal frequency, and is set such that at the signal frequencies the combination of the input signal and filter response is less than 1 (0 dB). For example, if the signal input to FIR4 is at $0.1 \times f_{DAC}$, the response of FIR4 is 0.1 dB, and the signal must be backed off from full scale by 0.1 dB to avoid saturation.

The filter taps for all digital filters are listed in Table 5.

Note that the loss of signal amplitude may result in lower SNR due to decrease in signal amplitude.

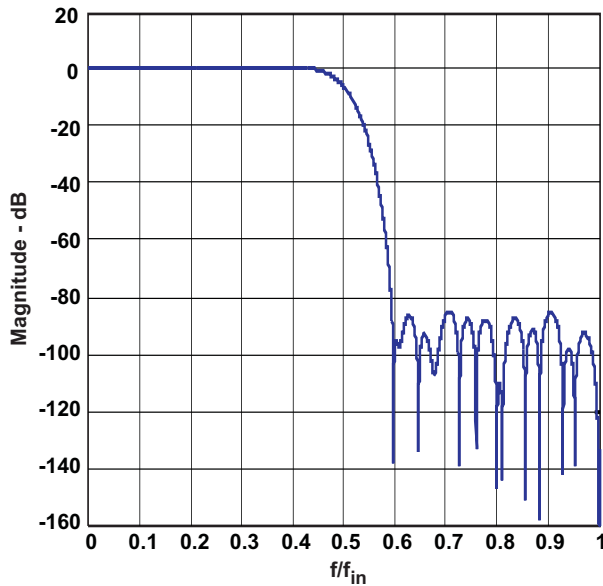


Figure 37. Magnitude Spectrum for FIR0

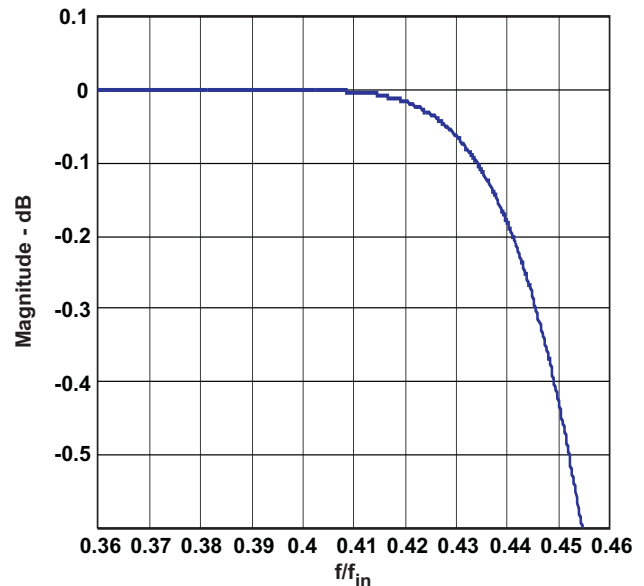


Figure 38. FIR0 Transition Band

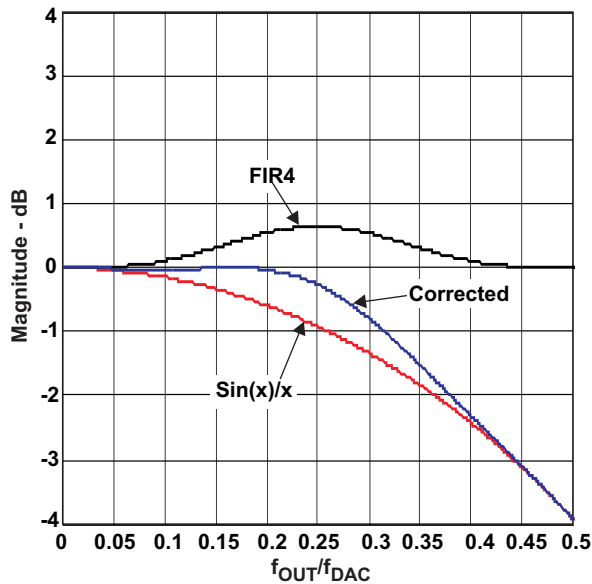


Figure 39. Magnitude Spectrum for Zero-IF Sinc Correction Filter up to $0.5 \times f_{DAC}$

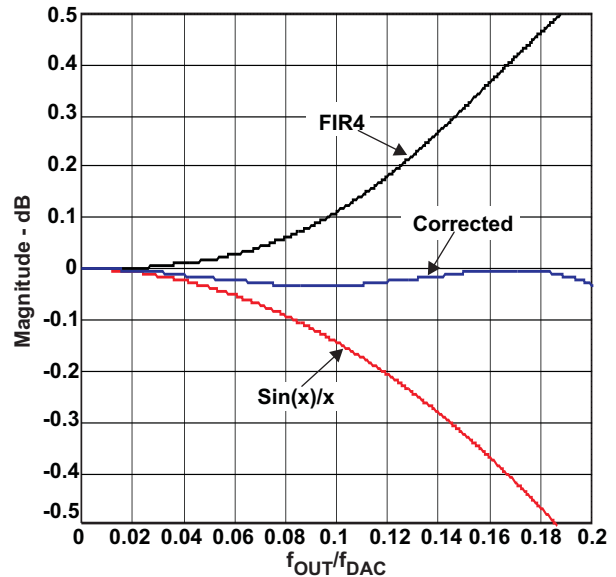


Figure 40. Correction Range of Zero-IF Sinc Correction Filter 0 to $0.2 \times f_{DAC}$

Table 5. FIR Filter Coefficients

FIR0 2x Interpolating Half-Band Filter		FIR4 Non-Interpolating Zero-IF Sinc Correction Filter
59 Taps		5 Taps
4	4	1
0	0	-5
-12	-12	264 ⁽¹⁾
0	0	-5
28	28	1
0	0	
-58	-58	
0	0	
108	108	
0	0	
-188	-188	
0	0	
308	308	
0	0	
-483	-483	
0	0	
734	734	
0	0	
-1091	-1091	
0	0	
1607	1607	
0	0	
-2392	-2392	
0	0	
3732	3732	
0	0	
-6681	-6681	
0	0	
20768	20768	
32768 ⁽¹⁾		

(1) Center taps are highlighted in BOLD.

COARSE MIXER

The DAC3282 has a coarse mixer block capable of shifting the input signal spectrum by the fixed mixing frequencies $f_s/2$ or $\pm f_s/4$. The coarse mixing function is built into the interpolation filter and thus FIR0 must be enabled to use it.

Treating channels A and B as a complex vector of the form $I(t) + j Q(t)$, where $I(t) = A(t)$ and $Q(t) = B(t)$, the outputs of the coarse mixer, $A_{OUT}(t)$ and $B_{OUT}(t)$ are equivalent to:

$$A_{OUT}(t) = A(t)\cos(2\pi f_{CMIX}t) - B(t)\sin(2\pi f_{CMIX}t) \tag{1}$$

$$B_{OUT}(t) = A(t)\sin(2\pi f_{CMIX}t) + B(t)\cos(2\pi f_{CMIX}t) \tag{2}$$

where f_{CMIX} is the fixed mixing frequency selected by mixer_func(1:0). For $f_s/2$, $+f_s/4$ and $-f_s/4$ the above operations result in the simple mixing sequences shown in Table 6.

Table 6. Coarse Mixer Sequences

Mode	mixer_func(1:0)	Mixing Sequence
Normal (Low Pass, No Mixing)	00	$A_{OUT} = \{ +A, +A, +A, +A \}$ $B_{OUT} = \{ +B, +B, +B, +B \}$
$f_s/2$	01	$A_{OUT} = \{ +A, -A, +A, -A \}$ $B_{OUT} = \{ +B, -B, +B, -B \}$
$+f_s/4$	10	$A_{OUT} = \{ +A, -B, -A, +B \}$ $B_{OUT} = \{ +B, +A, -B, -A \}$
$-f_s/4$	11	$A_{OUT} = \{ +A, +B, -A, -B \}$ $B_{OUT} = \{ +B, -A, -B, +A \}$

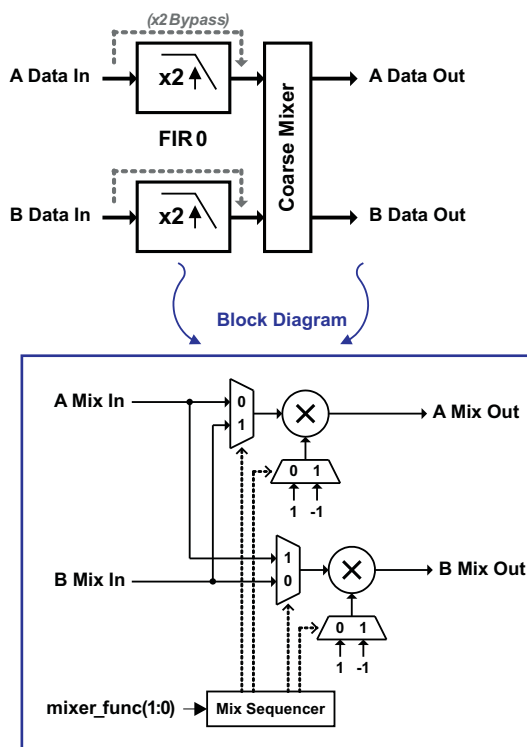


Figure 41. Coarse Mixers Block Diagram

The coarse mixer in the DAC3282 treats the A and B inputs as complex input data and for most mixing frequencies produces a complex output. Only when the mixing frequency is set to $f_s/2$ the A and B channels can be maintained isolated as shown in Table 6. In this case the two channels are upconverted as independent signals. By setting the mixer to $f_s/2$ the FIR0 outputs are inverted thus behaving as a high-pass filter.

Table 7. Dual-Channel Real Upconversion Options

FIR Mode	Input Frequency ⁽¹⁾	Output Frequency ⁽¹⁾	Signal Bandwidth ⁽¹⁾	Spectrum Inverted?
Low pass	0.0 to 0.4 x f _{DATA}	0.0 to 0.4 x f _{DATA}	0.4 x f _{DATA}	No
High pass	0.0 to 0.4 x f _{DATA}	0.6 to 1.0 x f _{DATA}	0.4 x f _{DATA}	Yes

(1) f_{DATA} is the input data rate of each channel after de-interleaving.

DIGITAL OFFSET CONTROL

The qmc_offseta(12:0) and qmc_offsetb(12:0) values in registers CONFIG20 through CONFIG23 can be used to independently adjust the A and B path DC offsets. Both offset values are in represented in 2s-complement format with a range from -4096 to 4095.

Note that a write to register CONFIG20 is required to load the values of all four qmc_offset registers (CONFIG20-CONFIG23) into the offset block simultaneously. When updating the offset values CONFIG20 should be written last. Programming any of the other three registers will not affect the offset setting.

The offset value adds a digital offset to the digital data before digital-to-analog conversion. Since the offset is added directly to the data it may be necessary to back off the signal to prevent saturation. Both data and offset values are LSB aligned.

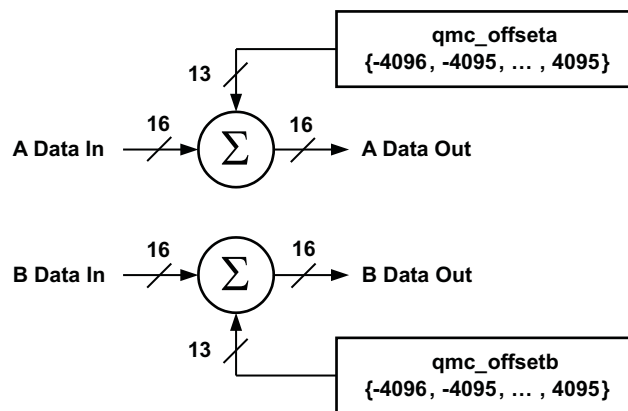


Figure 42. Digital Offset Block Diagram

TEMPERATURE SENSOR

The DAC3282 incorporates a temperature sensor block which monitors the temperature by measuring the voltage across 2 transistors. The voltage is converted to an 8-bit digital word using a successive-approximation (SAR) analog to digital conversion process. The result is scaled, limited and formatted as a twos complement value representing the temperature in degrees Celsius.

The sampling is controlled by the serial interface signals SDENB and SCLK. If the temperature sensor is enabled (tsense_ena = 1 in register CONFIG24) a conversion takes place each time the serial port is written or read. The data is only read and sent out by the digital block when the temperature sensor is read in register CONFIG5. The conversion uses the first eight clocks of the serial clock as the capture and conversion clock, the data is valid on the falling eighth SCLK. The data is then clocked out of the chip on the rising edge of the ninth SCLK. No other clocks to the chip are necessary for the temperature sensor operation. As a result the temperature sensor is enabled even when the device is in sleep mode.

In order for the process described above to operate properly, the serial port read from CONFIG5 must be done with an SCLK period of at least 1 μs. If this is not satisfied the temperature sensor accuracy is greatly reduced.

POWER-UP SEQUENCE

The following startup sequence is recommended to power-up the DAC3282:

1. Set TXENABLE low.
2. Supply 1.8V to DACVDD18, DIGVDD18, CLKVDD18 and VFUSE simultaneously and 3.3V to AVDD33. Within AVDD33 the multiple AVDD33 pins should be powered up simultaneously. The 1.8V and 3.3V supplies can be powered up simultaneously or in any order.

There are no specific requirements on the ramp rate for the supplies.

3. Provide all LVPECL inputs: DACCLKP/N and if used OSTRP/N.
4. Toggle the RESETB pin for a minimum 25 ns active low pulse width.
5. Program the SIF registers.
6. Provide all LVDS inputs (D[7:0]P/N, DATACLKP/N and FRAMEP/N) simultaneously.
7. Sync the clock dividers and FIFO. After a FRAMEP/N low-to-high transition, clock divider syncing must be disabled by setting `clkdiv_sync_ena` (CONFIG18, bit 1) to 0. Optionally, disable FIFO and device syncing by setting `fifo_reset_ena` (CONFIG0, bit 5) and `multi_sync_ena` (CONFIG0, bit 4) to 0. Except when in Multi-DAC operation it is recommended to sync the DACs and their FIFOs only once during initialization.
8. Enable transmit of data by asserting the TXENABLE pin.

SLEEP MODES

The DAC3282 features independent sleep control of each DAC (`sleepa` and `sleepb`), their corresponding clock path (`clkpath_sleep_a` and `clkpath_sleep_b`) as well as the clock input receiver of the device (`clkrecv_sleep`). The sleep control of each of these components is done through the SIF interface and is enabled by setting a 1 to the corresponding sleep register.

Complete power down of the device is set by setting all of these components to sleep. Under this mode the supply power consumption is reduced to 15mW. Power-up time in this case will be in the milliseconds range. Alternatively for those applications where power-up and power-down times are critical it is recommended to only set the DACs to sleep through the `sleepa` and `sleepb` registers. In this case both the sleep and wake-up times are only 90µs.

LVPECL INPUTS

Figure 43 shows an equivalent circuit for the DAC input clock (DACCLKP/N) and the FIFO output strobe clock (OSTRP/N).

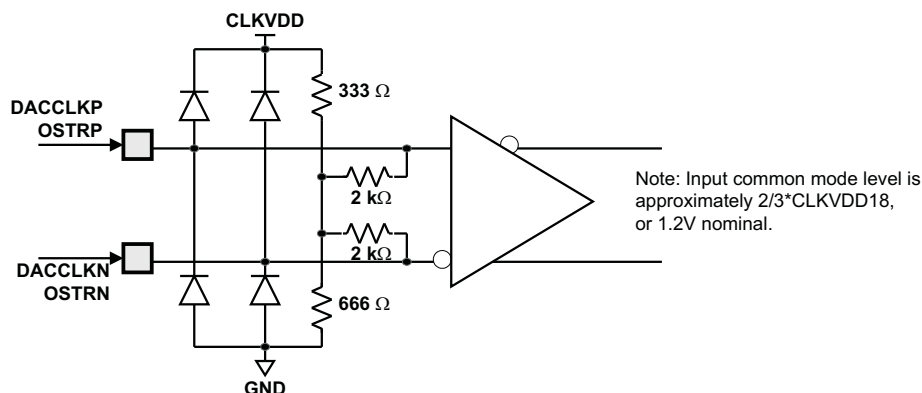


Figure 43. DACCLKP/N and OSTRP/N Equivalent Input Circuit

Figure 44 shows the preferred configuration for driving the CLKIN/CLKINC input clock with a differential ECL/PECL source.

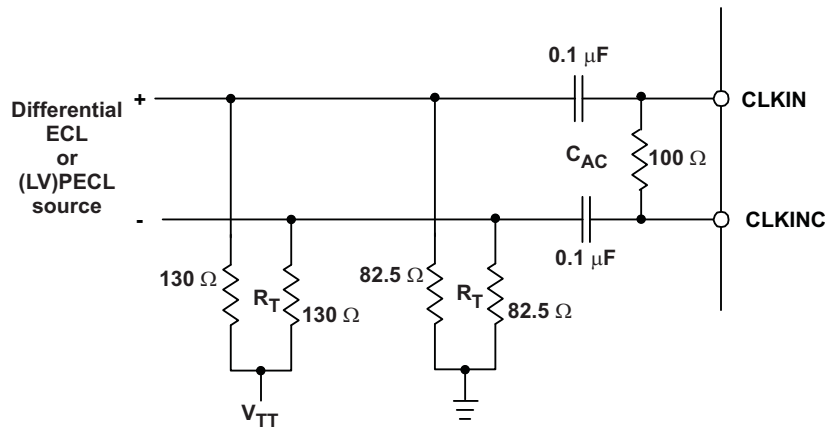


Figure 44. Preferred Clock Input Configuration With a Differential ECL/PECL Clock Source

LVDS INPUTS

The D[7:0]P/N, DATACLKP/N and FRAMEP/N LVDS pairs have the input configuration shown in Figure 45. Figure 46 shows the typical input levels and common-mode voltage used to drive these inputs.

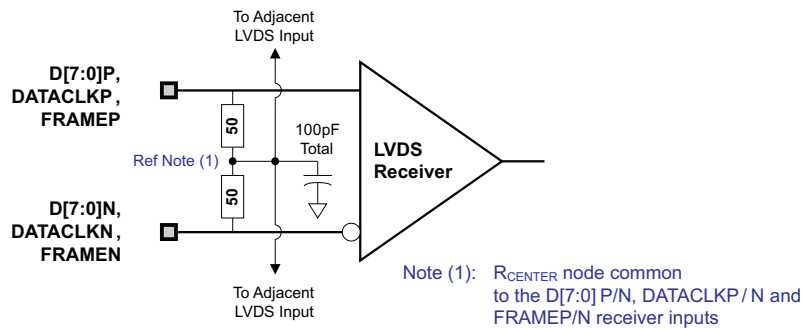


Figure 45. D[7:0]P/N, DATACLKP/N and FRAMEP/N LVDS Input Configuration

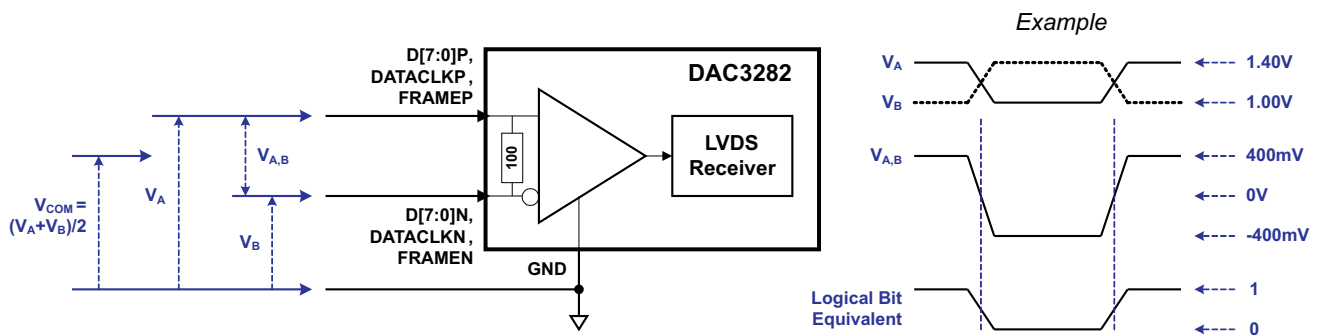


Figure 46. LVDS Data (D[7:0]P/N, DATACLKP/N, FRAMEP/N Pairs) Input Levels

Table 8. Example LVDS Data Input Levels

Applied Voltages		Resulting Differential Voltage	Resulting Common-Mode Voltage	Logical Bit Binary Equivalent
V _A	V _B	V _{A,B}	V _{COM}	
1.4 V	1.0 V	400 mV	1.2 V	1
1.0 V	1.4 V	-400 mV		0
1.2 V	0.8 V	400 mV	1.0 V	1
0.8 V	1.2 V	-400 mV		0

CMOS DIGITAL INPUTS

Figure 47 shows a schematic of the equivalent CMOS digital inputs of the DAC3282. SDIO, SCLK and TXENABLE have pull-down resistors while SDENB and RESETB have pull-up resistors internal to the DAC3282. See the specification table for logic thresholds. The pull-up and pull-down circuitry is approximately equivalent to 100kΩ.

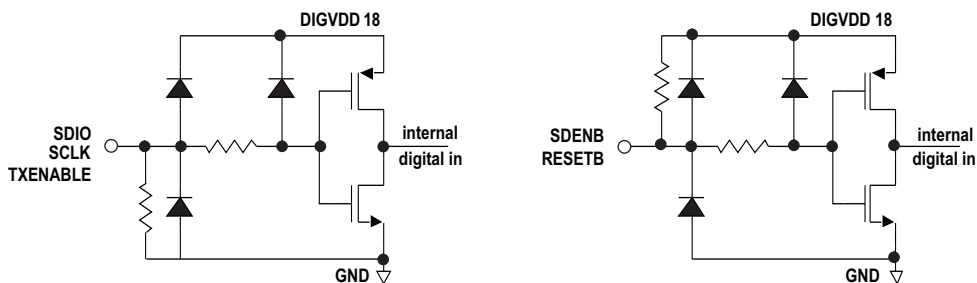


Figure 47. CMOS/TTL Digital Equivalent Input

REFERENCE OPERATION

The DAC3282 uses a bandgap reference and control amplifier for biasing the full-scale output current. The full-scale output current is set by applying an external resistor R_{BIAS} to pin BIASJ. The bias current I_{BIAS} through resistor R_{BIAS} is defined by the on-chip bandgap reference voltage and control amplifier. The default full-scale output current equals 16 times this bias current and can thus be expressed as:

$$IOUT_{FS} = 16 \times I_{BIAS} = 16 \times V_{EXTIO} / R_{BIAS}$$

Each DAC has a 4-bit independent coarse gain control via **coarse_daca(3:0)** and **coarse_dacb (3:0)** in the CONFIG4 register. Using gain control, the IOUT_{FS} can be expressed as:

$$IOUTA_{FS} = (DACA_gain + 1) \times I_{BIAS} = (DACA_gain + 1) \times V_{EXTIO} / R_{BIAS}$$

$$IOUTB_{FS} = (DACB_gain + 1) \times I_{BIAS} = (DACB_gain + 1) \times V_{EXTIO} / R_{BIAS}$$

Where V_{EXTIO} is the voltage at terminal EXTIO. The bandgap reference voltage delivers an accurate voltage of 1.2V. This reference is active when **extref_ena = '0'** in CONFIG25. An external decoupling capacitor C_{EXT} of 0.1 μF should be connected externally to terminal EXTIO for compensation. The bandgap reference can additionally be used for external reference operation. In that case, an external buffer with high impedance input should be applied in order to limit the bandgap load current to a maximum of 100 nA. The internal reference can be disabled and overridden by an external reference by setting the CONFIG25 extref_ena control bit. Capacitor C_{EXT} may hence be omitted. Terminal EXTIO thus serves as either input or output node.

The full-scale output current can be adjusted from 20 mA down to 2 mA by varying resistor R_{BIAS} or changing the externally applied reference voltage. The internal control amplifier has a wide input range, supporting the full-scale output current range of 20 dB.

DAC TRANSFER FUNCTION

The CMOS DAC's consist of a segmented array of NMOS current sinks, capable of sinking a full-scale output current up to 20 mA. Differential current switches direct the current to either one of the complementary output nodes IOUT1 or IOUT2. (DACA = IOUTA1 or IOUTA2 and DACB = IOUTB1 or IOUTB2.) Complementary output currents enable differential operation, thus canceling out common mode noise sources (digital feed-through, on-chip and PCB noise), dc offsets, even order distortion components, and increasing signal output power by a factor of two.

The full-scale output current is set using external resistor R_{BIAS} in combination with an on-chip bandgap voltage reference source (+1.2V) and control amplifier. Current I_{BIAS} through resistor R_{BIAS} is mirrored internally to provide a maximum full-scale output current equal to 16 times I_{BIAS} .

The relation between IOUT1 and IOUT2 can be expressed as:

$$IOUT1 = - IOUT_{FS} - IOUT2$$

We will denote current flowing into a node as – current and current flowing out of a node as + current. Since the output stage is a current sink the current can only flow from AVDD into the IOUT1 and IOUT2 pins. The output current flow in each pin driving a resistive load can be expressed as:

$$IOUT1 = IOUT_{FS} \times (65535 - CODE) / 65536$$

$$IOUT2 = IOUT_{FS} \times CODE / 65536$$

where CODE is the decimal representation of the DAC data input word.

For the case where IOUT1 and IOUT2 drive resistor loads R_L directly, this translates into single ended voltages at IOUT1 and IOUT2:

$$VOUT1 = AVDD - | IOUT1 | \times R_L$$

$$VOUT2 = AVDD - | IOUT2 | \times R_L$$

Assuming that the data is full scale (65536 in offset binary notation) and the R_L is 25 Ω , the differential voltage between pins IOUT1 and IOUT2 can be expressed as:

$$VOUT1 = AVDD - | -0mA | \times 25 \Omega = 3.3 V$$

$$VOUT2 = AVDD - | -20mA | \times 25 \Omega = 2.8 V$$

$$VDIFF = VOUT1 - VOUT2 = 0.5V$$

Note that care should be taken not to exceed the compliance voltages at node IOUT1 and IOUT2, which would lead to increased signal distortion.

ANALOG CURRENT OUTPUTS

Figure 48 shows a simplified schematic of the current source array output with corresponding switches. Differential switches direct the current of each individual NMOS current source to either the positive output node IOUT1 or its complementary negative output node IOUT2. The output impedance is determined by the stack of the current sources and differential switches, and is typically >300 kΩ in parallel with an output capacitance of 5 pF.

The external output resistors are referred to an external ground. The minimum output compliance at nodes IOUT1 and IOUT2 is limited to $AVDD - 0.5\text{ V}$, determined by the CMOS process. Beyond this value, transistor breakdown may occur resulting in reduced reliability of the DAC3282 device. The maximum output compliance voltage at nodes IOUT1 and IOUT2 equals $AVDD + 0.5\text{ V}$. Exceeding the minimum output compliance voltage adversely affects distortion performance and integral non-linearity. The optimum distortion performance for a single-ended or differential output is achieved when the maximum full-scale signal at IOUT1 and IOUT2 does not exceed 0.5 V.

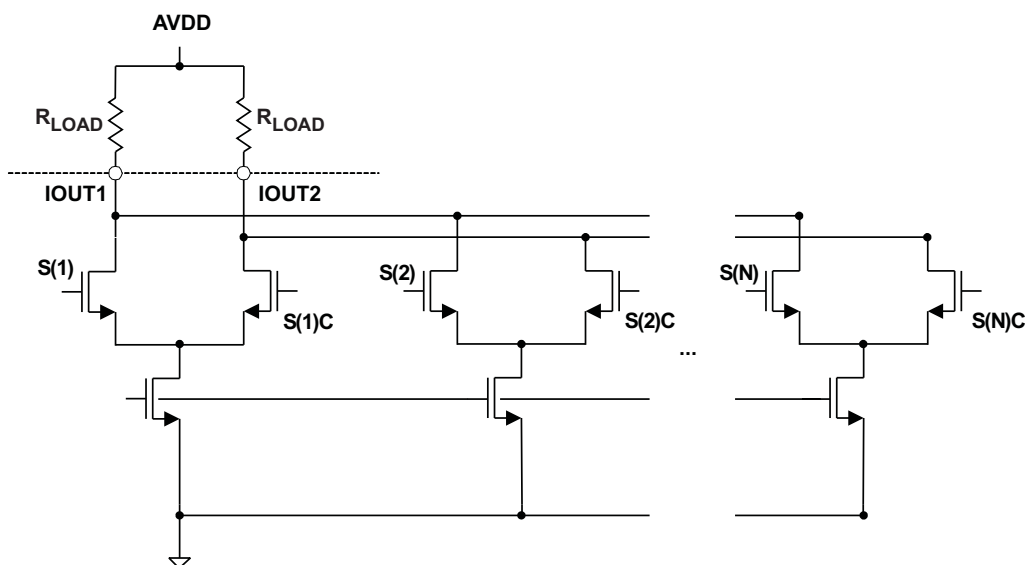


Figure 48. Equivalent Analog Current Output

The DAC3282 can be easily configured to drive a doubly terminated 50 Ω cable using a properly selected RF transformer. Figure 49 and Figure 50 show the 50 Ω doubly terminated transformer configuration with 1:1 and 4:1 impedance ratio, respectively. Note that the center tap of the primary input of the transformer has to be connected to AVDD to enable a DC current flow. Applying a 20 mA full-scale output current would lead to a 0.5 V_{pp} for a 1:1 transformer and a 1 V_{pp} output for a 4:1 transformer. The low dc-impedance between IOUT1 or IOUT2 and the transformer center tap sets the center of the ac-signal at AVDD, so the 1 V_{pp} output for the 4:1 transformer results in an output between $AVDD + 0.5\text{ V}$ and $AVDD - 0.5\text{ V}$.

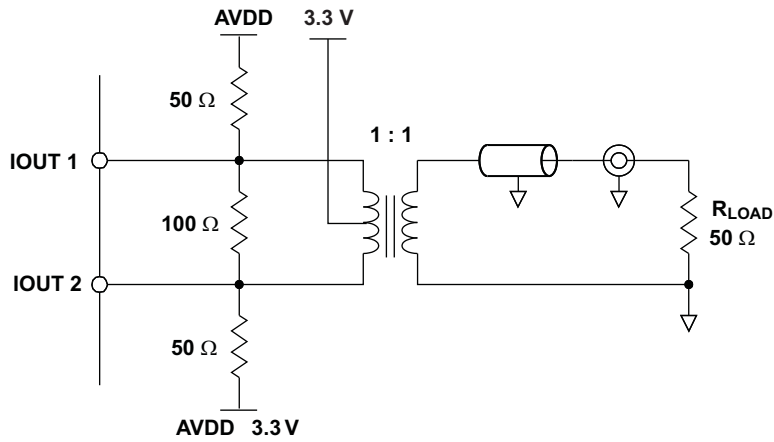


Figure 49. Driving a Doubly Terminated 50 Ω Cable Using a 1:1 Impedance Ratio Transformer

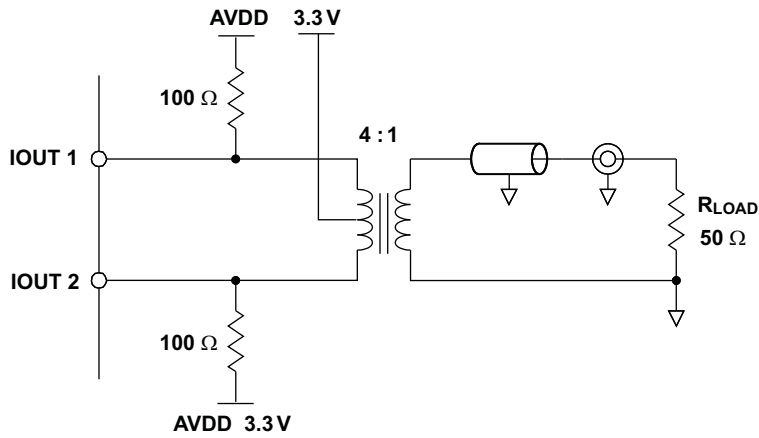


Figure 50. Driving a Doubly Terminated 50 Ω Cable Using a 4:1 Impedance Ratio Transformer

PASSIVE INTERFACE TO ANALOG QUADRATURE MODULATORS

A common application in communication systems is to interface the DAC to an IQ modulator like the TRF3703 family of modulators from Texas Instruments. The input of the modulator is generally of high impedance and requires a specific common-mode voltage. A simple resistive network can be used to maintain 50Ω load impedance for the DAC3282 and also provide the necessary common-mode voltages for both the DAC and the modulator.

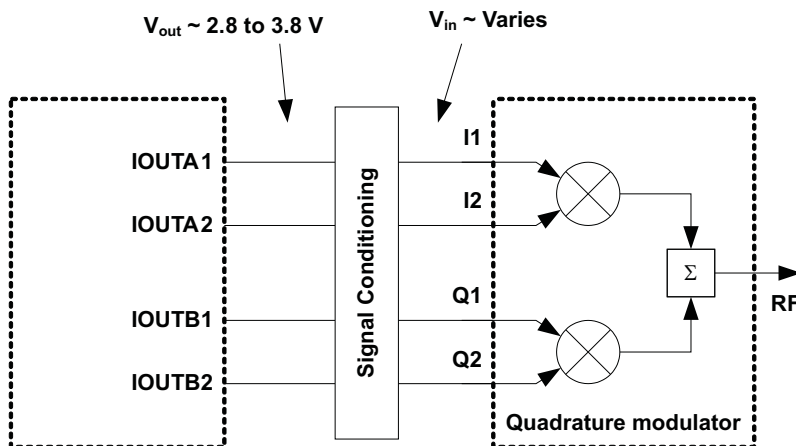


Figure 51. DAC to Analog Quadrature Modulator Interface

The DAC3282 has a maximum 20mA full-scale output and a voltage compliance range of $AVDD \pm 0.5$ V. The TRF3703 IQ modulator family can be operated at three common-mode voltages: 1.5V, 1.7V, and 3.3V.

Figure 52 shows the recommended passive network to interface the DAC3282 to the TRF3703-17 which has a common mode voltage of 1.7V. The network generates the 3.3V common mode required by the DAC output and 1.7V at the modulator input, while still maintaining 50Ω load for the DAC.

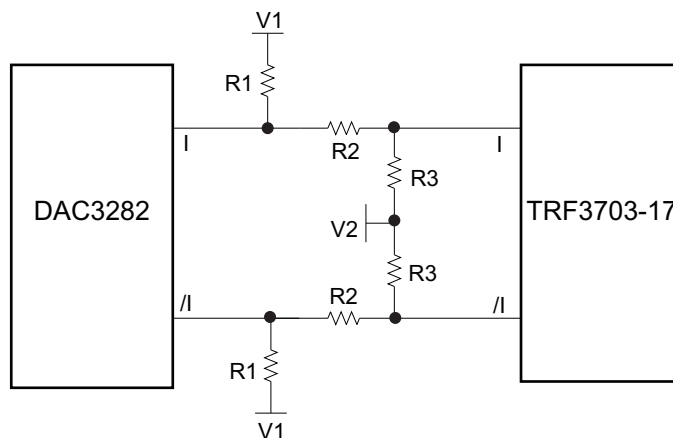


Figure 52. DAC3282 to TRF3703-17 Interface

If $V1$ is set to 5V and $V2$ is set to -5V, the corresponding resistor values are $R1 = 57\Omega$, $R2 = 80\Omega$, and $R3 = 336\Omega$. The loss developed through $R2$ is about -1.86 dB. In the case where there is no -5V supply available and $V2$ is set to 0V, the resistor values are $R1 = 66\Omega$, $R2 = 101\Omega$, and $R3 = 107\Omega$. The loss with these values is -5.76dB.

Figure 53 shows the recommended network for interfacing with the TRF3703-33 which requires a common mode of 3.3V. This is the simplest interface as there is no voltage shift. Because there is no voltage shift there isn't any loss in the network. With $V1 = 5$ V and $V2 = 0$ V, the resistor values are $R1 = 66\Omega$ and $R3 = 208\Omega$.

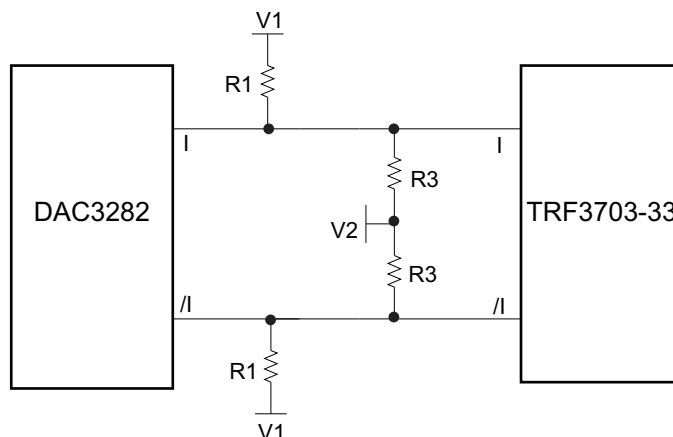


Figure 53. DAC3282 to TRF3703-33 Interface

In most applications a baseband filter is required between the DAC and the modulator to eliminate the DAC images. This filter can be placed after the common-mode biasing network. For the DAC to modulator network shown in Figure 54, R2 and the filter load R4 need to be considered into the DAC impedance. The filter has to be designed for the source impedance created by the resistor combination of $R3 \parallel (R2+R1)$. The effective impedance seen by the DAC is affected by the filter termination resistor resulting in $R1 \parallel (R2+R3 \parallel (R4/2))$.

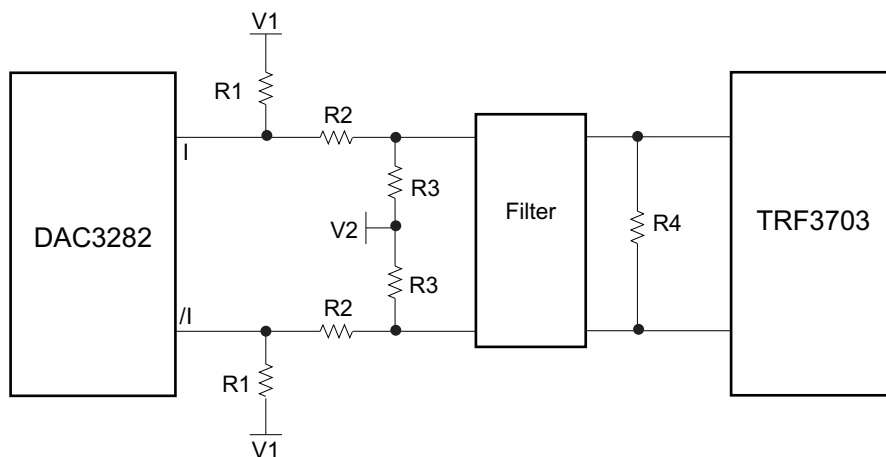


Figure 54. DAC3282 to Modulator Interface with Filter

Factoring in R4 into the DAC load, a typical interface to the TRF3703-17 with V1 = 5V and V2 = 0V results in the following values: R1 = 72Ω, R2 = 116Ω, R3 = 124Ω and R4 = 150Ω. This implies that the filter needs to be designed for 75Ω input and output impedance (single-ended impedance). The common mode levels for the DAC and modulator are maintained at 3.3V and 1.7V and the DAC load is 50Ω. The added load of the filter termination causes the signal to be attenuated by -10.8 dB.

A filter can be implemented in a similar manner to interface with the TRF3703-33. In this case it is much simpler to balance the loads and common mode voltages due to the absence of R2. An added benefit is that there is no loss in this network. With V1 = 5V and V2 = 0V the network can be designed such that R1 = 115Ω, R3 = 681Ω, and R4 = 200Ω. This results in a filter impedance of $R1 \parallel R2=100\Omega$, and a DAC load of $R1 \parallel R3 \parallel (R4/2)$ which is equal to 50Ω. R4 is a differential resistor and does not affect the common mode level created by R1 and R3. The common-mode voltage is set at 3.3 V for a full-scale current of 20mA.

For more information on how to interface the DAC3282 to an analog quadrature modulator please refer to the application reports *Passive Terminations for Current Output DACs* (SLAA399) and *Design of Differential Filters for High-Speed Signal Chains* (SLWA053).

APPLICATION EXAMPLE

DIRECT CONVERSION RADIO

Refer to [Figure 55](#) for an example Direct Conversion Radio. The DAC3282 receives an interleaved complex I/Q baseband input data stream and increases the sample rate through interpolation by a factor of 2. By performing digital interpolation on the input data, undesired images of the original signal can be pushed out of the band of interest and more easily suppressed with analog filters.

For a Zero IF (ZIF) frequency plan, complex mixing of the baseband signal is not required. Alternatively, for a Complex IF frequency plan the input data can be pre-placed at an IF within the bandwidth limitations of the interpolation filters. In addition, complex mixing is available using the coarse mixer block to up-convert the signal. The output of both DAC channels is used to produce a Hilbert transform pair and can be expressed as:

$$\begin{aligned} A_{OUT}(t) &= A(t)\cos(\omega_c t) - B(t)\sin(\omega_c t) = m(t) \\ B_{OUT}(t) &= A(t)\sin(\omega_c t) + B(t)\cos(\omega_c t) = m_h(t) \end{aligned}$$

where $m(t)$ and $m_h(t)$ connote a Hilbert transform pair and ω_c is the mixer frequency. The complex output is input to an analog quadrature modulator (AQM) such as the Texas Instruments TRF3720 for a single side-band (SSB) up conversion to RF. A passive (resistor only) interface to the AQM with an optional LC filter network is recommended. The TRF3720 includes a VCO/PLL to generate the LO frequency. Upper single-sideband upconversion is achieved at the output of the analog quadrature modulator, whose output is expressed as:

$$RF(t) = A(t)\cos(\omega_c + \omega_{LO})t - B(t)\sin(\omega_c + \omega_{LO})t$$

Flexibility is provided to the user by allowing for the selection of negative mixing frequency to produce a lower-sideband upconversion. Note that the process of complex mixing translates the signal frequency from 0Hz means that the analog quadrature modulator IQ imbalance produces a sideband that falls outside the signal of interest. DC offset error in DAC and AQM signal path may produce LO feed-through at the RF output which may fall in the band of interest. To suppress the LO feed-through, the DAC3282 provides a digital offset correction capability for both DAC-A and DAC-B paths.

The complex IF architecture has several advantages over the real IF architecture:

- Uncalibrated side-band suppression ~ 35dBc compared to 0dBc for real IF architecture.
- Direct DAC to AQM interface – no amplifiers required
- DAC 2nd Nyquist zone image is offset f_{DAC} compared with $f_{DAC} - 2 \times IF$ for a real IF architecture, reducing the need for filtering at the DAC output.
- Uncalibrated LO feed through for AQM is ~ 35dBc and calibration can reduce or completely remove the LO feed through.

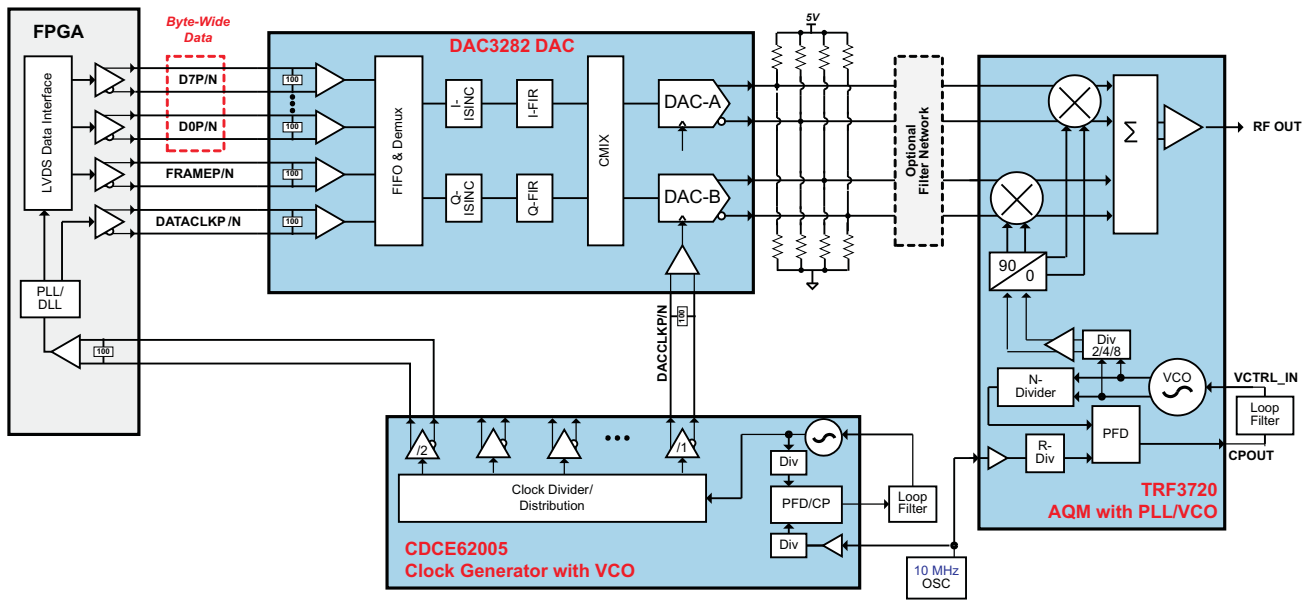
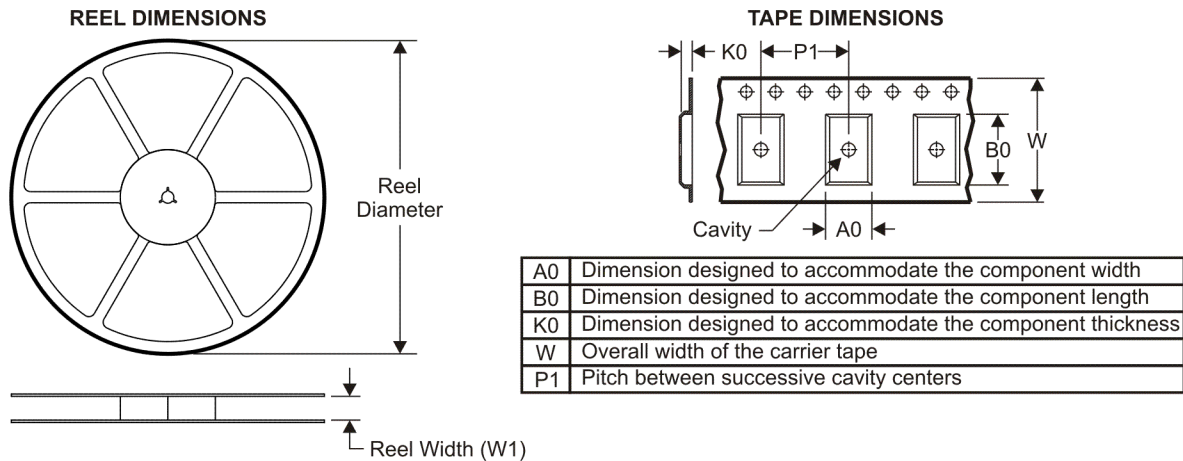


Figure 55. System Diagram of Direct Conversion Radio

REVISION HISTORY

NOTE: Page numbers of current version may differ from previous versions

Changes from Original (December 2009) to Revision A	Page
• Deleted FIFO_OSTRP and FIFO_OSTRN descriptions from Pin Functions table. N/A for this device.	4
• Changed Default from 0x41 to 0x43 for Register name VERSION31 in Table 3 Register Map	22
• Changed Default address from 0x41 to 0x43 for Register name: VERSION31 ; and Default Value for Bit 5:0 from 000001 to 000011.	29

TAPE AND REEL INFORMATION

QUADRANT ASSIGNMENTS FOR PIN 1 ORIENTATION IN TAPE


*All dimensions are nominal

Device	Package Type	Package Drawing	Pins	SPQ	Reel Diameter (mm)	Reel Width W1 (mm)	A0 (mm)	B0 (mm)	K0 (mm)	P1 (mm)	W (mm)	Pin1 Quadrant
DAC3282IRGZR	VQFN	RGZ	48	2500	330.0	16.4	7.3	7.3	1.5	12.0	16.0	Q2
DAC3282IRGZT	VQFN	RGZ	48	250	330.0	16.4	7.3	7.3	1.5	12.0	16.0	Q2

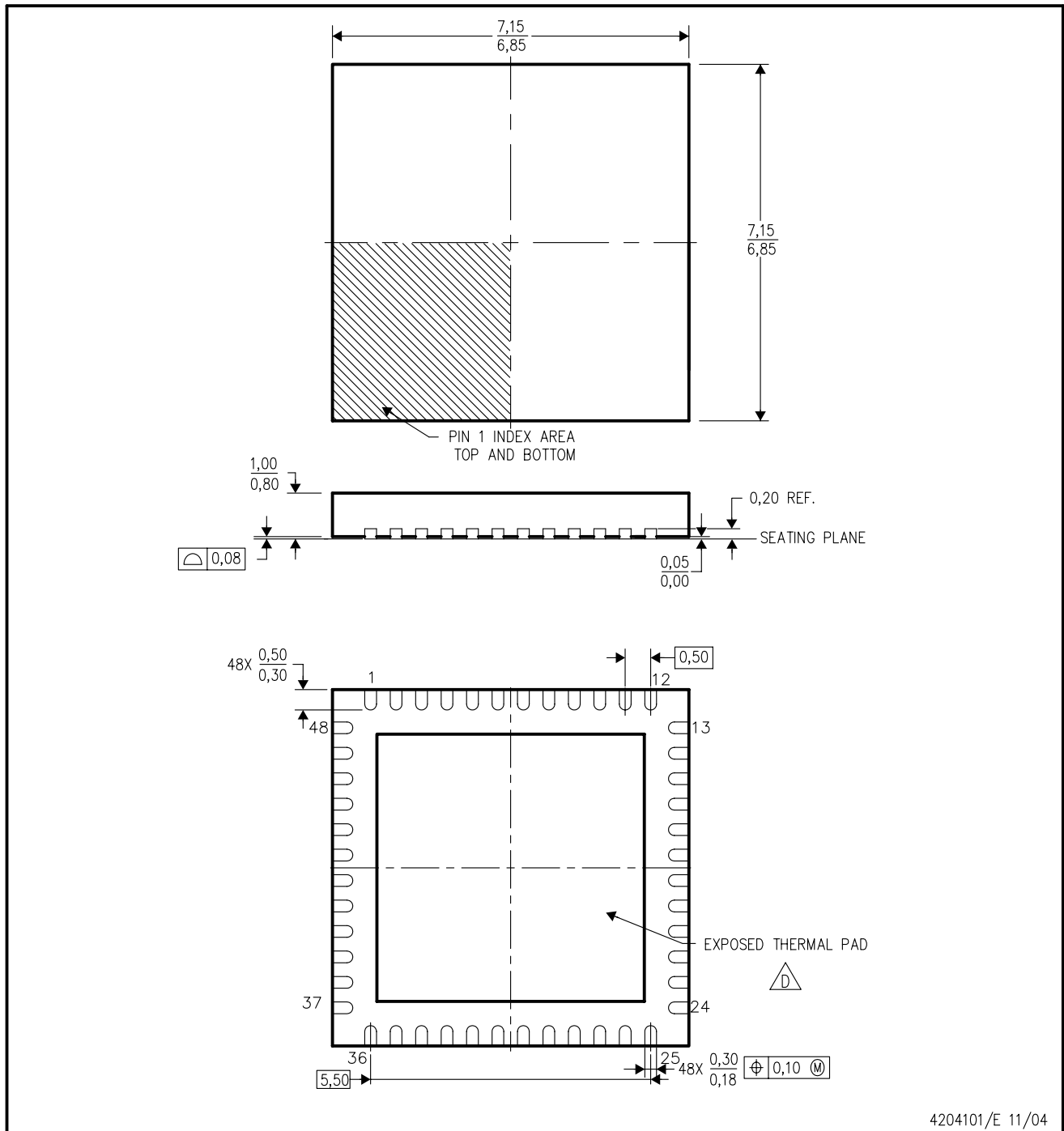
TAPE AND REEL BOX DIMENSIONS


*All dimensions are nominal

Device	Package Type	Package Drawing	Pins	SPQ	Length (mm)	Width (mm)	Height (mm)
DAC3282IRGZR	VQFN	RGZ	48	2500	333.2	345.9	28.6
DAC3282IRGZT	VQFN	RGZ	48	250	333.2	345.9	28.6

RGZ (S-PQFP-N48)

PLASTIC QUAD FLATPACK



4204101/E 11/04

- NOTES:
- A. All linear dimensions are in millimeters. Dimensioning and tolerancing per ASME Y14.5M-1994.
 - B. This drawing is subject to change without notice.
 - C. Quad Flatpack, No-leads (QFN) package configuration.
 - D. The package thermal pad must be soldered to the board for thermal and mechanical performance. See the Product Data Sheet for details regarding the exposed thermal pad dimensions.
 - E. Falls within JEDEC MO-220.

THERMAL PAD MECHANICAL DATA

RGZ (S-PVQFN-N48)

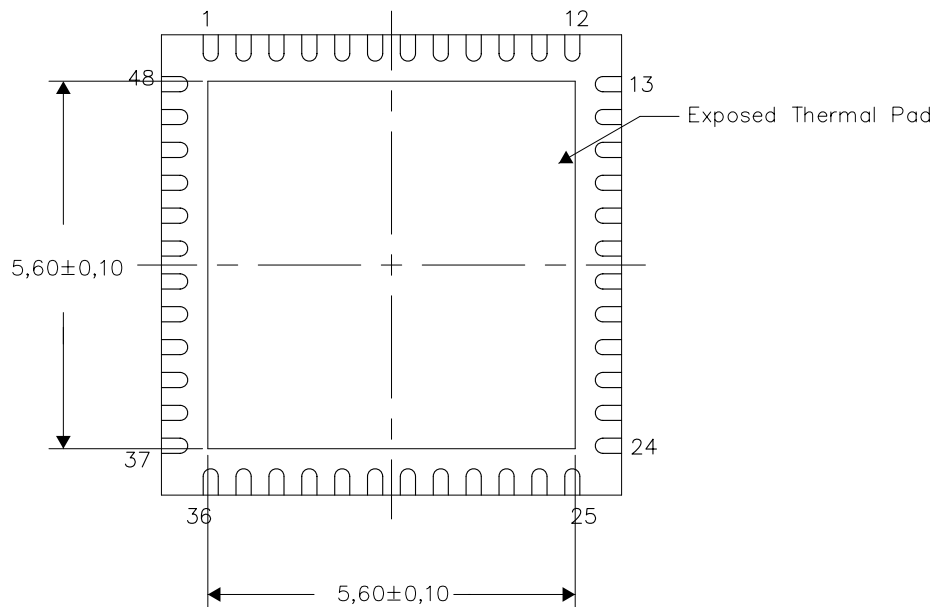
PLASTIC QUAD FLATPACK NO-LEAD

THERMAL INFORMATION

This package incorporates an exposed thermal pad that is designed to be attached directly to an external heatsink. The thermal pad must be soldered directly to the printed circuit board (PCB). After soldering, the PCB can be used as a heatsink. In addition, through the use of thermal vias, the thermal pad can be attached directly to the appropriate copper plane shown in the electrical schematic for the device, or alternatively, can be attached to a special heatsink structure designed into the PCB. This design optimizes the heat transfer from the integrated circuit (IC).

For information on the Quad Flatpack No-Lead (QFN) package and its advantages, refer to Application Report, QFN/SON PCB Attachment, Texas Instruments Literature No. SLUA271. This document is available at www.ti.com.

The exposed thermal pad dimensions for this package are shown in the following illustration.



Bottom View

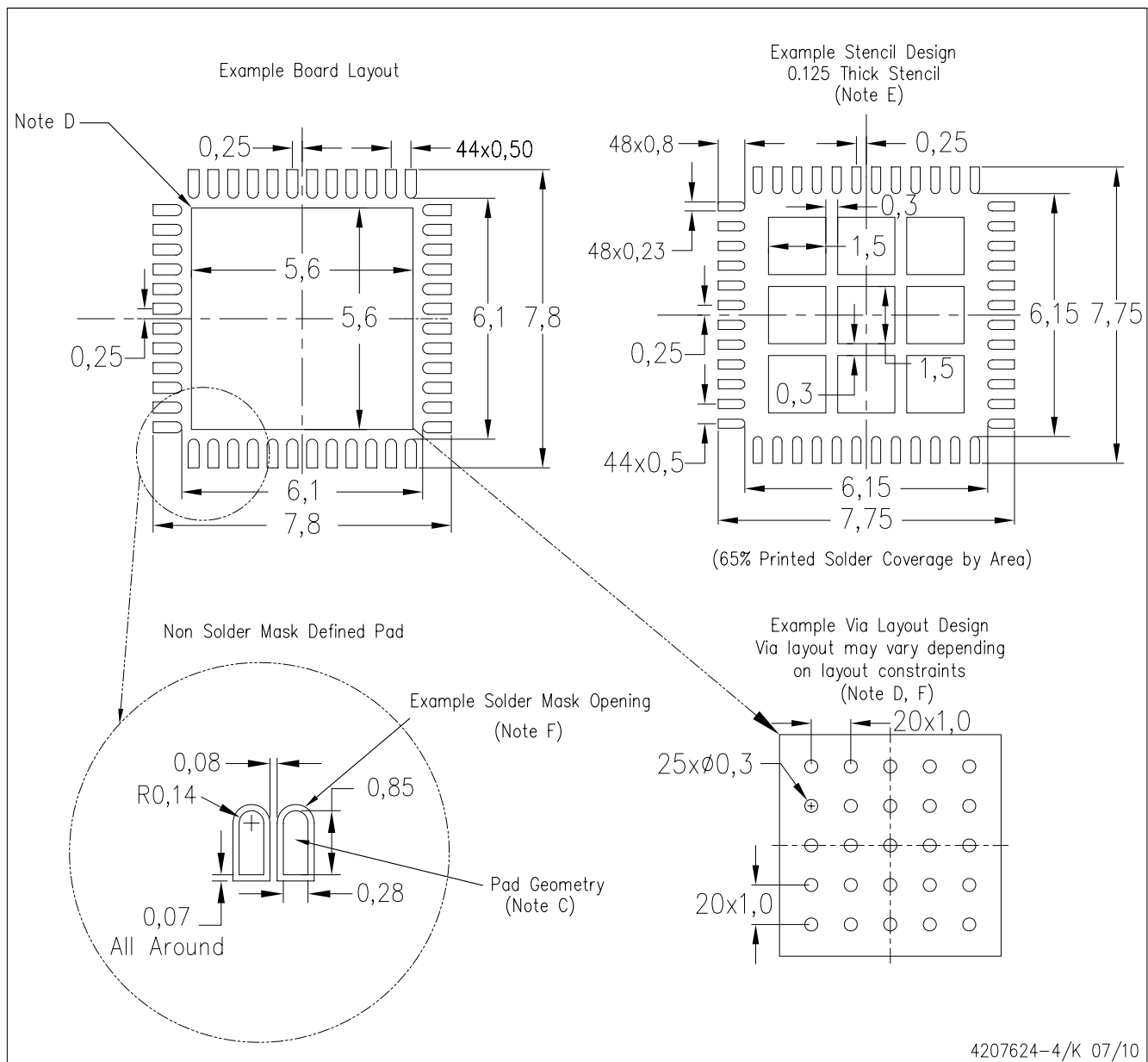
NOTE: All linear dimensions are in millimeters

Exposed Thermal Pad Dimensions

4206354-5/N 07/10

RGZ (S-PVQFN-N48)

PLASTIC QUAD FLATPACK NO-LEAD



4207624-4/K 07/10

- NOTES:
- All linear dimensions are in millimeters.
 - This drawing is subject to change without notice.
 - Publication IPC-7351 is recommended for alternate designs.
 - This package is designed to be soldered to a thermal pad on the board. Refer to Application Note, Quad Flat-Pack Packages, Texas Instruments Literature No. SLUA271, and also the Product Data Sheets for specific thermal information, via requirements, and recommended board layout. These documents are available at www.ti.com <<http://www.ti.com>>.
 - Laser cutting apertures with trapezoidal walls and also rounding corners will offer better paste release. Customers should contact their board assembly site for stencil design recommendations. Refer to IPC 7525 for stencil design considerations.
 - Customers should contact their board fabrication site for recommended solder mask tolerances and via tenting recommendations for vias placed in the thermal pad.

IMPORTANT NOTICE

Texas Instruments Incorporated and its subsidiaries (TI) reserve the right to make corrections, modifications, enhancements, improvements, and other changes to its products and services at any time and to discontinue any product or service without notice. Customers should obtain the latest relevant information before placing orders and should verify that such information is current and complete. All products are sold subject to TI's terms and conditions of sale supplied at the time of order acknowledgment.

TI warrants performance of its hardware products to the specifications applicable at the time of sale in accordance with TI's standard warranty. Testing and other quality control techniques are used to the extent TI deems necessary to support this warranty. Except where mandated by government requirements, testing of all parameters of each product is not necessarily performed.

TI assumes no liability for applications assistance or customer product design. Customers are responsible for their products and applications using TI components. To minimize the risks associated with customer products and applications, customers should provide adequate design and operating safeguards.

TI does not warrant or represent that any license, either express or implied, is granted under any TI patent right, copyright, mask work right, or other TI intellectual property right relating to any combination, machine, or process in which TI products or services are used. Information published by TI regarding third-party products or services does not constitute a license from TI to use such products or services or a warranty or endorsement thereof. Use of such information may require a license from a third party under the patents or other intellectual property of the third party, or a license from TI under the patents or other intellectual property of TI.

Reproduction of TI information in TI data books or data sheets is permissible only if reproduction is without alteration and is accompanied by all associated warranties, conditions, limitations, and notices. Reproduction of this information with alteration is an unfair and deceptive business practice. TI is not responsible or liable for such altered documentation. Information of third parties may be subject to additional restrictions.

Resale of TI products or services with statements different from or beyond the parameters stated by TI for that product or service voids all express and any implied warranties for the associated TI product or service and is an unfair and deceptive business practice. TI is not responsible or liable for any such statements.

TI products are not authorized for use in safety-critical applications (such as life support) where a failure of the TI product would reasonably be expected to cause severe personal injury or death, unless officers of the parties have executed an agreement specifically governing such use. Buyers represent that they have all necessary expertise in the safety and regulatory ramifications of their applications, and acknowledge and agree that they are solely responsible for all legal, regulatory and safety-related requirements concerning their products and any use of TI products in such safety-critical applications, notwithstanding any applications-related information or support that may be provided by TI. Further, Buyers must fully indemnify TI and its representatives against any damages arising out of the use of TI products in such safety-critical applications.

TI products are neither designed nor intended for use in military/aerospace applications or environments unless the TI products are specifically designated by TI as military-grade or "enhanced plastic." Only products designated by TI as military-grade meet military specifications. Buyers acknowledge and agree that any such use of TI products which TI has not designated as military-grade is solely at the Buyer's risk, and that they are solely responsible for compliance with all legal and regulatory requirements in connection with such use.

TI products are neither designed nor intended for use in automotive applications or environments unless the specific TI products are designated by TI as compliant with ISO/TS 16949 requirements. Buyers acknowledge and agree that, if they use any non-designated products in automotive applications, TI will not be responsible for any failure to meet such requirements.

Following are URLs where you can obtain information on other Texas Instruments products and application solutions:

Products		Applications	
Amplifiers	amplifier.ti.com	Audio	www.ti.com/audio
Data Converters	dataconverter.ti.com	Automotive	www.ti.com/automotive
DLP® Products	www.dlp.com	Communications and Telecom	www.ti.com/communications
DSP	dsp.ti.com	Computers and Peripherals	www.ti.com/computers
Clocks and Timers	www.ti.com/clocks	Consumer Electronics	www.ti.com/consumer-apps
Interface	interface.ti.com	Energy	www.ti.com/energy
Logic	logic.ti.com	Industrial	www.ti.com/industrial
Power Mgmt	power.ti.com	Medical	www.ti.com/medical
Microcontrollers	microcontroller.ti.com	Security	www.ti.com/security
RFID	www.ti-rfid.com	Space, Avionics & Defense	www.ti.com/space-avionics-defense
RF/IF and ZigBee® Solutions	www.ti.com/lprf	Video and Imaging	www.ti.com/video
		Wireless	www.ti.com/wireless-apps

Mailing Address: Texas Instruments, Post Office Box 655303, Dallas, Texas 75265
Copyright © 2010, Texas Instruments Incorporated