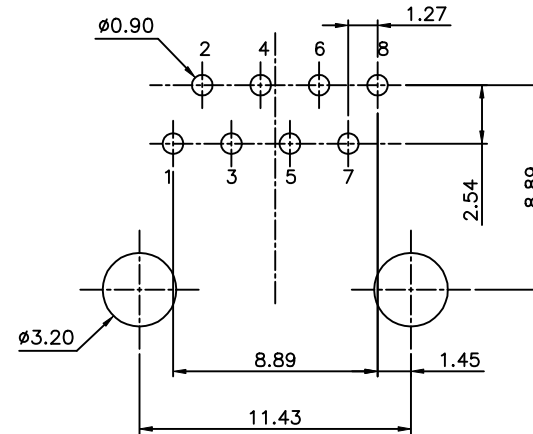
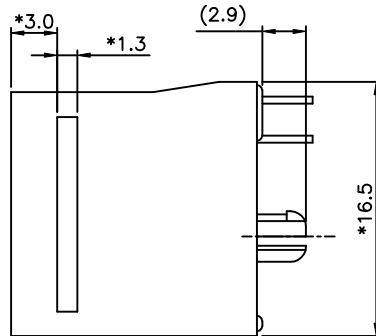
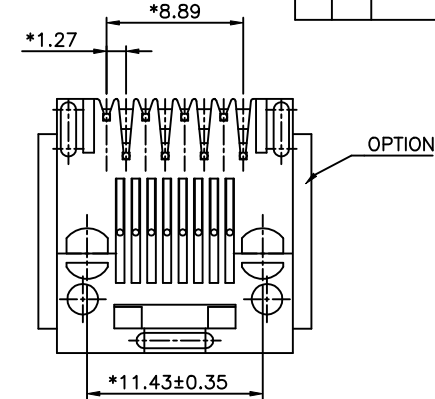
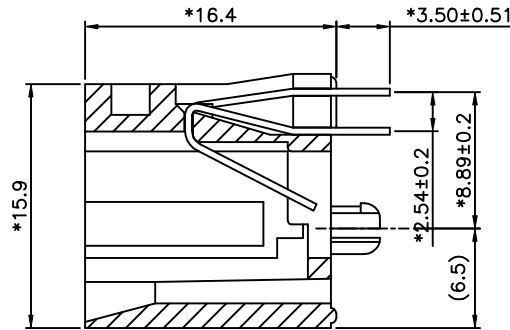
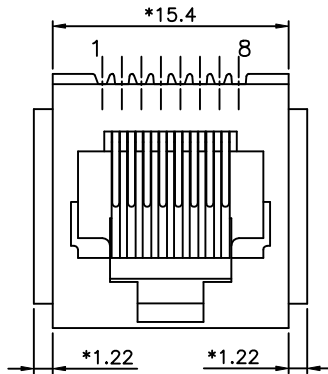


REVISION RECORD				
REV	ECO	DESCRIPTION	DRFT	CHKD



PC Board Layout Component Side Shown

**NOTES:**

ELECTRICAL:

- 1. VOLTAGE RATING : 125 VAC RMS.
- 2. CURRENT RATING : 1.5 AMP.
- 3. CONTACT RESISTANCE : 30 MILLIOHMS MAX.
- 4. INSULATION RESISTANCE : 1000 MEGOHMS MIN @ 500 VDC.
- 5. DIELECTRIC STRENGTH : 1000 VAC RMS 60Hz, 1MIN.

MECHANICAL:

- 1. HOUSING MATERIAL : GLASS FILLED POLYESTER UL94V-0.
- 2. CONTACT MATERIAL : PHOSPHOR BRONZE  $\phi 0.46$ mm.
- 3. PLATING : GOLD PLATING OVER NICKEL.
- 4. OPERATING LIFE : 750 CYCLES MIN.
- 5. PCB RETENTION PRE-SOLDER : 1 LB MIN.
- 6. PCB RETENTION POST-SOLDER: 10 LBS MIN.

ENVIRONMENTAL:

- 1. STORAGE : -40°C TO +85°C.
- 2. OPERATION: 0°C TO 70°C.
- 3. WAVE SOLDER TEMPERATURE: 230-250°C(3-5SECOND).

MATES WITH MODULAR PLUG CONFORMING TO FCC PART 68, SUBPART F.

CUL FILE NO. E163191

PART NUMBER: E528X-000XXX-L

- 4-4C(3.4.5.6)      1- 3u"      2- 6u"
- 8-8C                3-15u"     4-30u"
- 5-50u"     6-Pd 20u"
- 0--PBT+15% BK      3-W/PANEL STOP
- 5--PBT+30% GY      4-W/O PANEL STOP

<p>MM (INCH)</p> <p>TOLERANCES EXCEPT AS NOTED</p>		<p>DFTO SAMMY DATE 03/16/05</p> <p>CHKDQIANPU DATE2005/3/17</p> <p>MFO DATE</p> <p>APPVILUSHENG DATE2005/3/17</p>	<p>FULL RISE ELECTRONIC CO., LTD</p>	
<p>MM</p> <p>.0 ±0.20</p> <p>.00 ±0.15</p> <p>.000 ±0.075</p>	<p>±</p> <p>±</p> <p>±</p>	<p>MATERIAL :</p> <p>QT'Y :</p> <p>FINISH :</p> <p>SCALE :</p>	<p>TITLE</p> <p>TOP ENTRY PCB JACK 8P</p> <p>DRAWING NO. GE523012-LC      SIZE A3</p> <p>/PART NO. SEE NOTE          REV 0</p>	
<p>DETAILED LISTS</p> <p>ANGLES ±</p> <p>THIRD ANGLE PROJECTION</p>		<p>DO NOT SCALE DRAWING</p>	<p>SHEET X</p>	<p>OF Y</p>