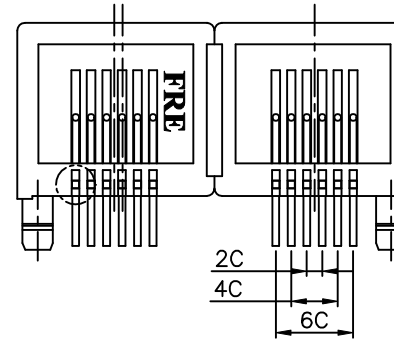
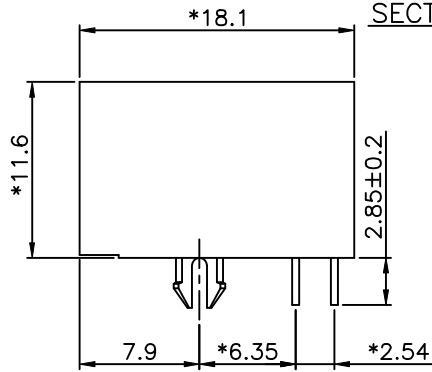
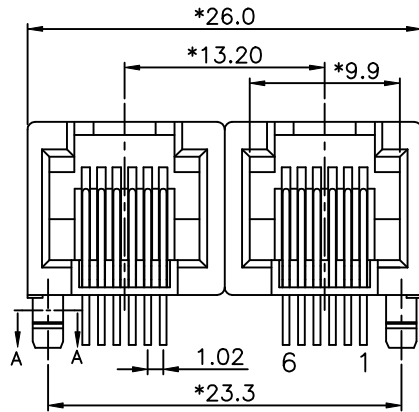
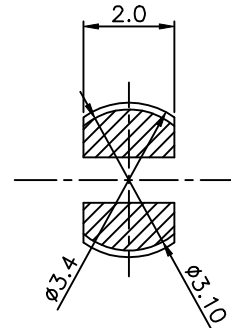
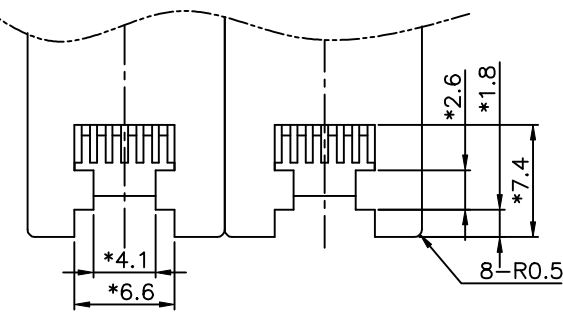


REVISION RECORD				
REV	ECO	DESCRIPTION	DRFT	CHKD
△		MODIFY P/N.	ANKUE 8/28/05	
△		MODIFY P/N.	ANKUE 09/23/05	
△		MODIFY LAYOUT	ANKUE 02/15/06	



**NOTES:**

**ELECTRICAL:**

- VOLTAGE RATING : 150 VAC RMS.
- CURRENT RATING : 1.5 AMP.
- CONTACT RESISTANCE : 35 MILLIOHMS MAX.
- INSULATION RESISTANCE: 1000 MEGOHMS MIN @ 500 VDC.
- DIELECTRIC STRENGTH : 1000 VAC RMS 60Hz, 1MIN.

**MECHANICAL:**

- HOUSING MATERIAL : FR52 UL94V-0.
- CONTACT MATERIAL : PHOSPHOR BRONZE Ø0.46mm.
- PLATING : GOLD PLATING OVER NICKEL.
- OPERATING LIFE : 750 CYCLES MIN.
- PCB RETENTION PRE-SOLDER : 1 LB MIN.
- PCB RETENTION POST-SOLDER: 10 LBS MIN.

**ENVIRONMENTAL:**

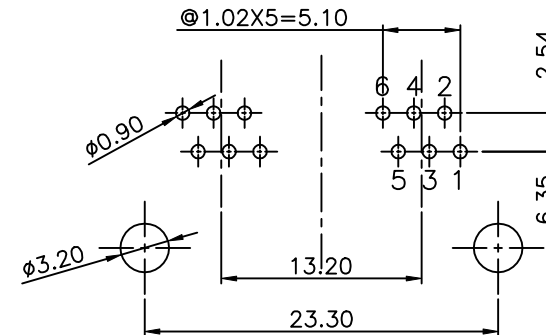
- STORAGE : -40°C TO +85°C.
- OPERATION: -40°C TO +85°C.
- WAVE SOLDERING TEMPERATURE: 255~265°C (5~10 SECONDS)

MATES WITH MODULAR PLUG CONFORMING TO FCC PART 68, SUBPART F.

△ ROHS PART NUMBER: E536X-30A5XX-L

NO. OF CONTACT	1-3u"	2-6u"
2-2C	3-15u"	4-30u"
4-4C	5-50u"	6-Pd 20u"
6-6C	F-GOLD FLASH	

E-3,4,5,6 FEET WITHOUT KEY  
F-PANEL STOP



△ PC Board Layout Component Side Shown

← MM (INCH) →		DFTO CXQ	DATE 07/14/05	FULL RISE ELECTRONIC CO., LTD	
TOLERANCES EXCEPT AS NOTED		CHKDASHLELLY	DATE 2006/2/15	TITLE SIDE ENTRY DUAL PORTS 6P	
		MFO	DATE		
MM		APPVLLUSHEN	DATE 2006/2/15	DRAWING NO. GE533021-LA	
.0 ±0.20				/PART NO. SEE NOTE	
.00 ±0.15				SIZE A3	
.000 ±0.075				REV 3	
ANGLES ±		MATERIAL :		DO NOT SCALE DRAWING	
THIRD ANGLE PROJECTION		QTY :		SHEET X OF Y	
		FINISH :			
		SCALE :			