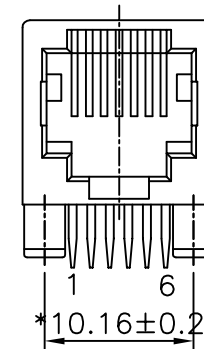
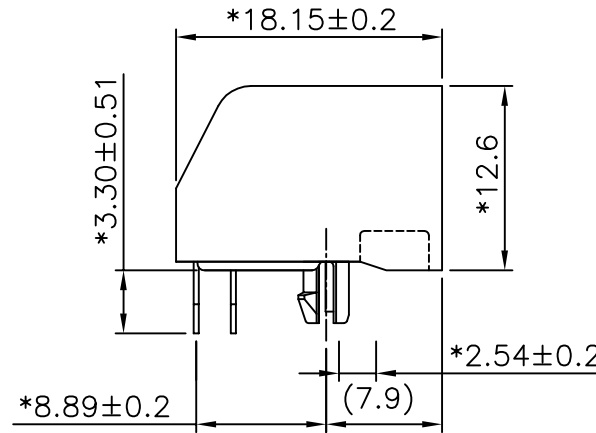
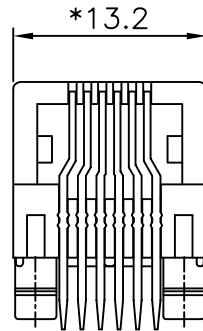


PC Board Layout T=1.6mm
Component Side Shown Tolerance±0.05mm



NOTES:

ELECTRICAL:

1. VOLTAGE RATING : 125 VAC RMS.
2. CURRENT RATING : 1.5 AMP.
3. CONTACT RESISTANCE : 35 MILLIOHMS MAX.
4. INSULATION RESISTANCE: 1000 MEGOHMS MIN @ 500 VDC.
5. DIELECTRIC STRENGTH : 1000 VAC RMS 60Hz, 1MIN.

MECHANICAL:

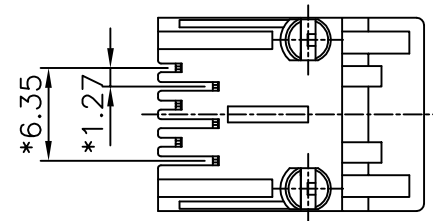
1. HOUSING MATERIAL : GLASS FILLED PBT UL94V-0. COLOR:BLACK
2. CONTACT MATERIAL : PHOSPHOR BRONZE t=0.35mm.
3. PLATING : CONTACT AREA-SELECTIVE GOLD PLATING.
: TAILS-TIN 150u" MIN OVER NICKEL.
4. OPERATING LIFE : 750 CYCLES MIN.
5. PCB RETENTION PRE-SOLDER : 1 LB MIN.
6. PCB RETENTION POST-SOLDER: 10 LBS MIN.

ENVIRONMENTAL:

1. STORAGE TEMPERATURE : -40°C TO +85°C.
2. OPERATION TEMPERATURE : -40°C TO +85°C.
3. WAVE SOLDERING TEMPERATURE :230°C~250°C (5~10 SECONDS)
4. RoHS COMPLIANT.

MATES WITH MODULAR PLUG CONFORMING TO
FCC PART 68, SUBPART F.
CUL FILE NO. E163191

PART NUMBER	GOLD PLATING
E6264-000021-L	3u"
E6264-000022-L	6u"



DETACHED LISTS	MM (INCH)	RoHS Compliant			
	TOLERANCES EXCEPT AS NOTED		TITLE		
	MM	±	AMP L/P SIDE ENTRY PCB JACK 8P		
	.0 ± 0.2	±			
	.00 ± 0.15	±			
	.000 ± 0.075	±			
	ANGLES ± 0.5				
THIRD ANGLE PROJECTION		DFTO Cathy		DRAWING NO. CE623005-LC	
		DATE 2006/09/20		/PART NO. SEE TABLE	
		SCALE : FREE		DO NOT SCALE DRAWING	
				SHEET 1	OF 1
				SIZE A3	REV 0

8

7

6

5

4

3

2

1

H
G
F
E
D
C
B
A