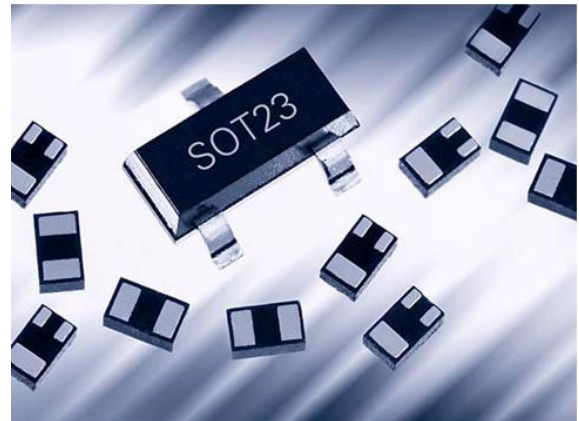


Ultra-Low Capacitance ESD Diode Array

- ESD / transient protection of high-speed data lines exceeding IEC61000-4-2 (ESD): 20 kV (air / contact)
IEC61000-4-4 (EFT): 40 A (5/50 ns)
IEC61000-4-5 (surge): 3 A (8/20 µs)
- Max. working voltage: 5.3 V
- Extremely low capacitance: down to 0.2 pF
- Very low clamping voltage: 12 V typ.
- Extremely low forward clamping voltage: 4 V typ.
- Very low reverse current: < 1 nA typ.
- Pb-free (RoHS compliant) package
- Qualified according AEC Q101

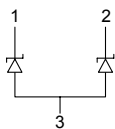


Applications

- USB 2.0, 10/100/1000 Ethernet, FireWire, DVI
HDMI, S-ATA
- Mobile communication
- Consumer products (STB, MP3; DVD, DSC...)
- LCD displays, camera
- Notebooks and desktop computers, peripherals



ESD5V3U2U-03F
ESD5V3U2U-03LRH



Type	Package	Configuration	Marking
ESD5V3U2U-03F	TSFP-3	2 lines, uni-directional*	Z1
ESD5V3U2U-03LRH	TSLP-3-7	2 lines, uni-directional*	Z1

* or 1 line, bi-directional between pins 1 and 2, if pin 3 is not connected

Maximum Ratings at $T_A = 25^\circ\text{C}$, unless otherwise specified

Parameter	Symbol	Value	Unit
ESD contact/ air discharge ¹⁾	V_{ESD}	20	kV
Peak pulse current ($t_p = 8 / 20 \mu\text{s}$) ²⁾	I_{pp}	3	A
Operating temperature range	T_{op}	-40...125	°C
Storage temperature	T_{stg}	-65...150	

Electrical Characteristics at $T_A = 25^\circ\text{C}$, unless otherwise specified

Parameter	Symbol	Values			Unit
		min.	typ.	max.	

Characteristics -

Reverse working voltage	V_{RWM}	-	-	5.3	V
Breakdown voltage $I_{\text{(BR)}} = 1 \text{ mA}$, from pin 1 to 3	$V_{\text{(BR)}}$	6	-	-	
Reverse current $V_{\text{R}} = 5.3 \text{ V}$, from pin 1 to 3	I_{R}	-	< 1	50	nA
Clamping voltage $I_{\text{PP}} = 1 \text{ A}$, $t_p = 8/20\mu\text{s}^2)$, from 1/2 to 3 $I_{\text{PP}} = 3 \text{ A}$, $t_p = 8/20\mu\text{s}^2)$, from 1/2 to 3	V_{CL}	-	10	13	V
		-	12	15	
Forward clamping voltage $I_{\text{PP}} = 1 \text{ A}$, $t_p = 8/20\mu\text{s}^2)$, from 3 to 1/2 $I_{\text{PP}} = 3 \text{ A}$, $t_p = 8/20\mu\text{s}^2)$, from 3 to 1/2	V_{FC}	-	2	4	
		-	4	6	
Line capacitance, $V_{\text{R}} = 0 \text{ V}$, $f = 1 \text{ MHz}$ from pin 1/2 to 3 ³⁾ from pin 1 to 2, pin 3 not connected	C_{T}	-	0.4	0.6	pF
		-	0.2	0.4	

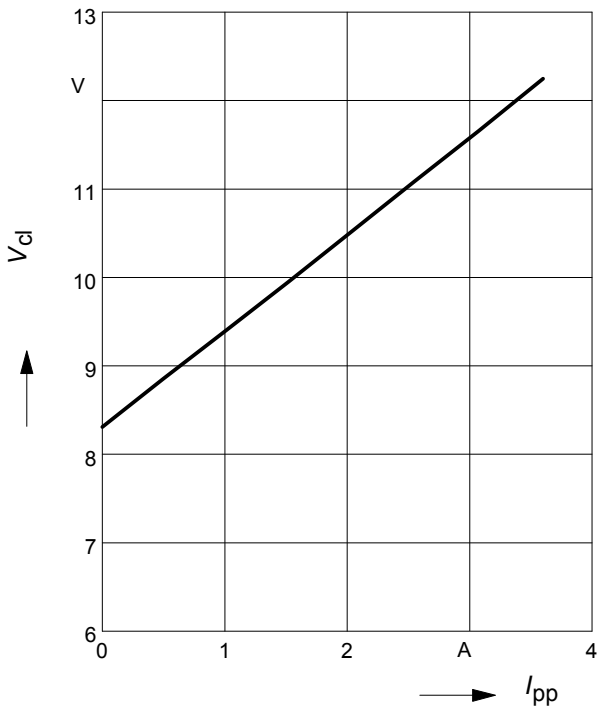
¹⁾ V_{ESD} according to IEC61000-4-2

²⁾ I_{pp} according to IEC61000-4-5

³⁾Total capacitance line to ground

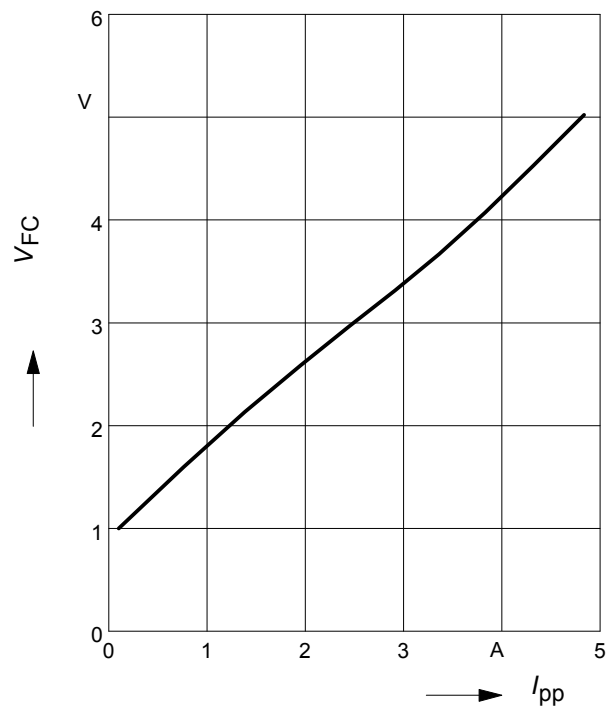
Clamping voltage, $V_{cl} = f(I_{pp})$

$t_p = 8 / 20 \mu s$, from pin 1/2 to 3



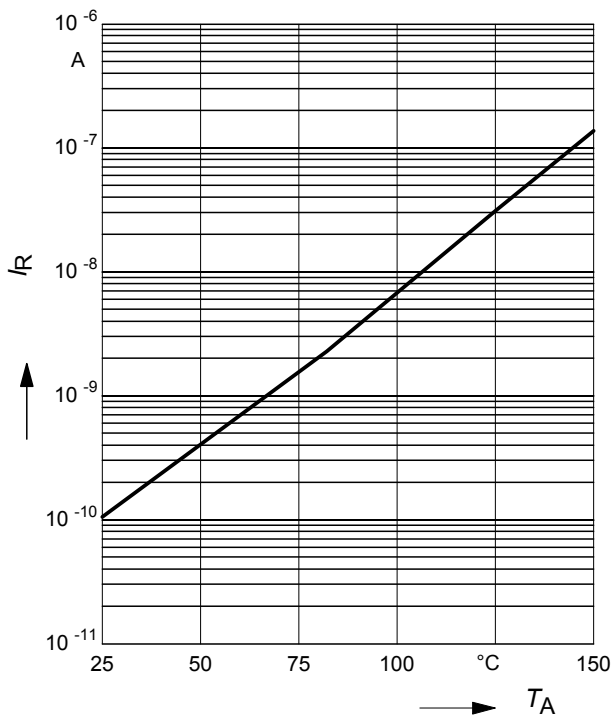
Forward clamping voltage $V_{FC} = f(I_{PP})$

$t_p = 8 / 20 \mu s$, from pin 3 to 1/2



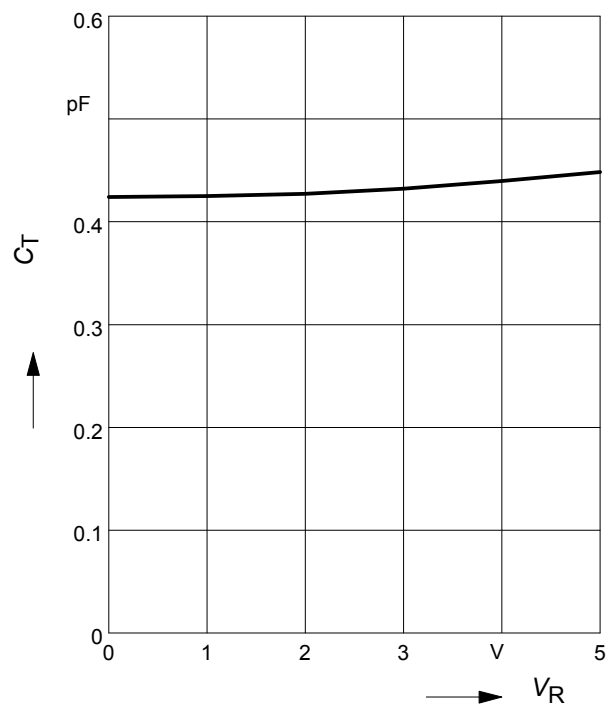
Reverse current $I_R = f(T_A)$

$V_R = \text{Parameter}$, from pin 1/2 to 3



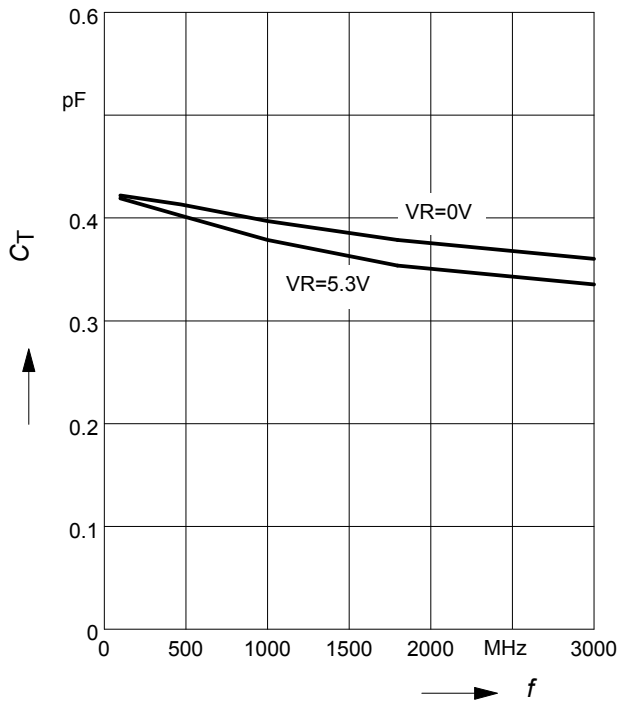
Diode capacitance $C_T = f(V_R)$

$f = 1 \text{ MHz}$, from pin 1/2 to 3



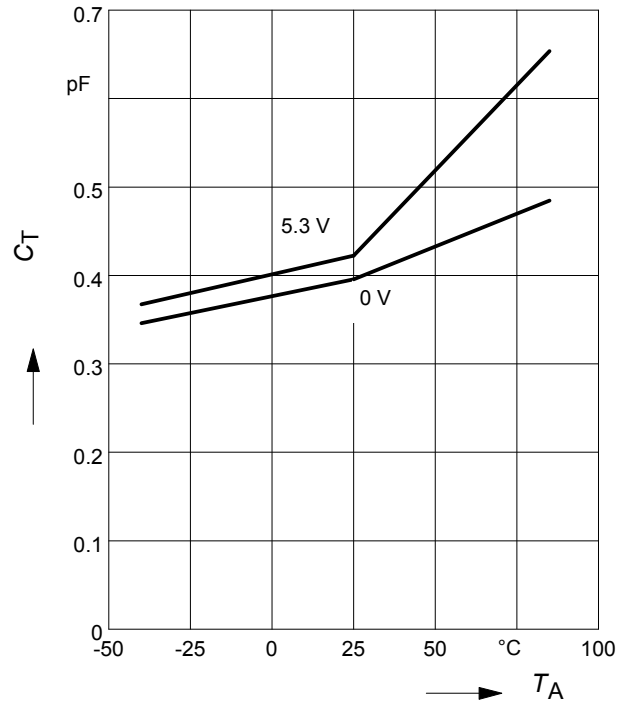
Line capacitance $C_T = f(f)$

$V_R =$ parameter, from pin 1/2 to 3



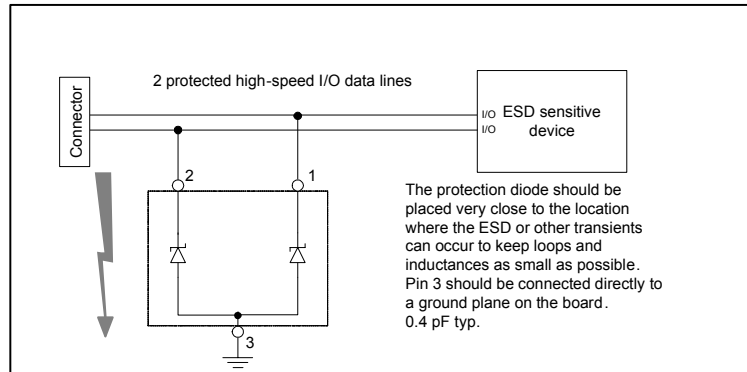
Line capacitance $C_T = f(T_A)$

$V_R = 0 V, f = 1 MHz$



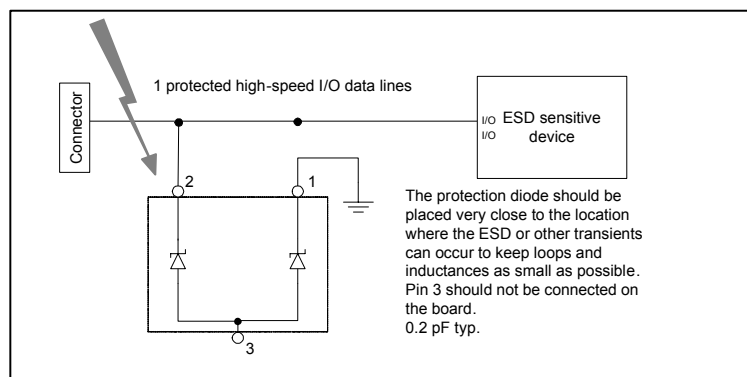
Application example ESD5V3U2U...

2 lines, uni-directional

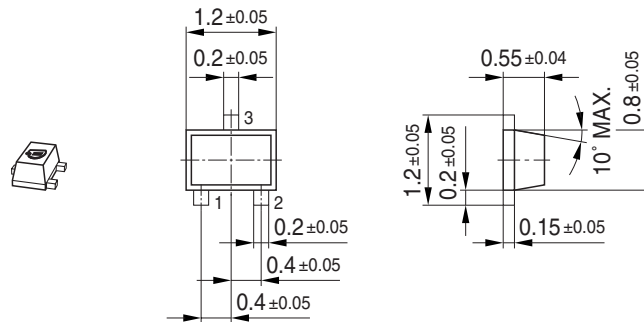


Application example ESD5V3U2U...

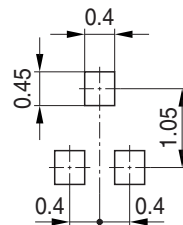
1 line, bi-directional



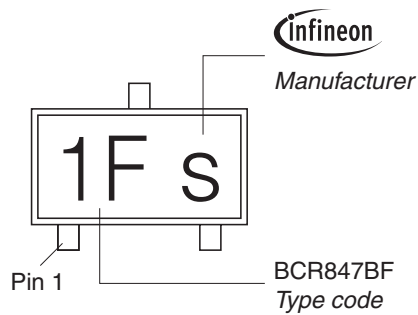
Package Outline



Foot Print

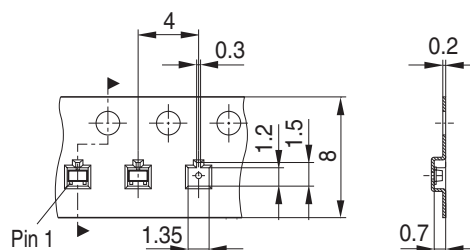


Marking Layout (Example)

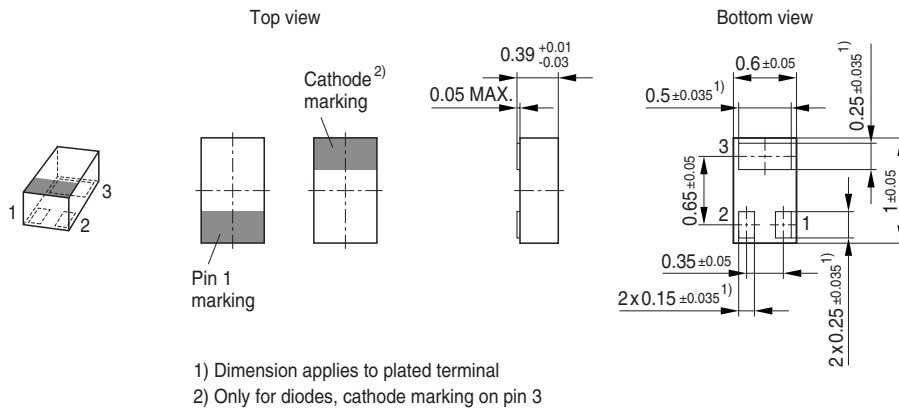


Standard Packing

Reel ø180 mm = 3.000 Pieces/Reel
 Reel ø330 mm = 10.000 Pieces/Reel

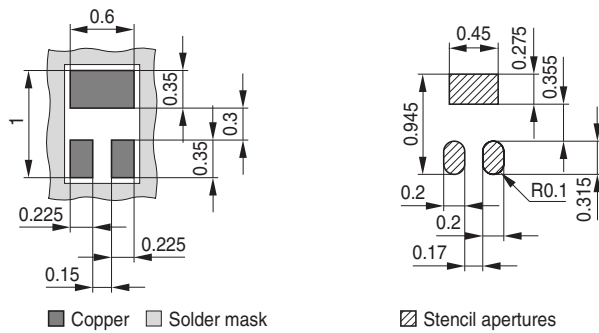


Package Outline



Foot Print

For board assembly information please refer to Infineon website "Packages"

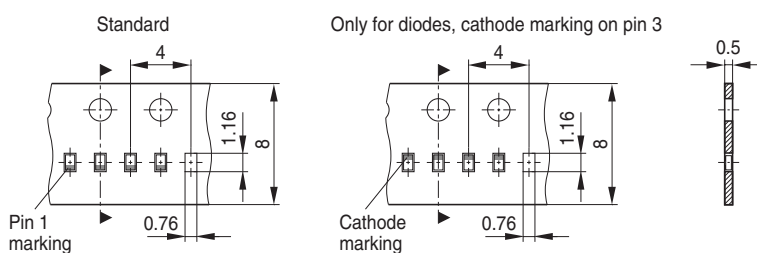


Marking Layout



Standard Packing

Reel ø180 mm = 15.000 Pieces/Reel



Edition 2006-02-01

Published by

Infineon Technologies AG

81726 München, Germany

© Infineon Technologies AG 2007.

All Rights Reserved.

Attention please!

The information given in this dokument shall in no event be regarded as a guarantee of conditions or characteristics ("Beschaffenheitsgarantie"). With respect to any examples or hints given herein, any typical values stated herein and/or any information regarding the application of the device, Infineon Technologies hereby disclaims any and all warranties and liabilities of any kind, including without limitation warranties of non-infringement of intellectual property rights of any third party.

Information

For further information on technology, delivery terms and conditions and prices please contact your nearest Infineon Technologies Office (www.infineon.com).

Warnings

Due to technical requirements components may contain dangerous substances. For information on the types in question please contact your nearest Infineon Technologies Office.

Infineon Technologies Components may only be used in life-support devices or systems with the express written approval of Infineon Technologies, if a failure of such components can reasonably be expected to cause the failure of that life-support device or system, or to affect the safety or effectiveness of that device or system.

Life support devices or systems are intended to be implanted in the human body, or to support and/or maintain and sustain and/or protect human life. If they fail, it is reasonable to assume that the health of the user or other persons may be endangered.