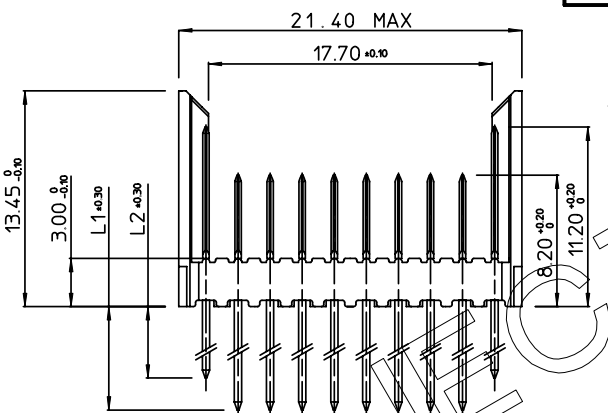
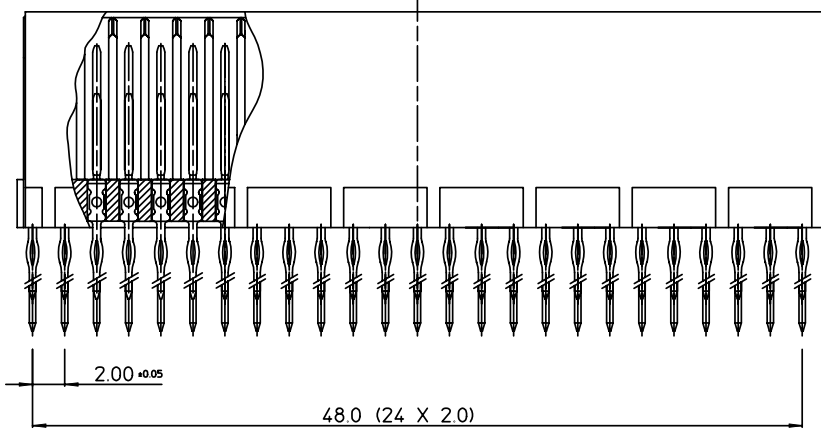


GEN. ST.	01	02	03	04	05	06	07	08	0D	50	60	70	80	90																	
INT. ST.	10	11	12	13	14	18	20	31	32	33	34	38	39	40	42	43	44	45	46	48	56	70	72	73	75	76	81	82	83	84	88

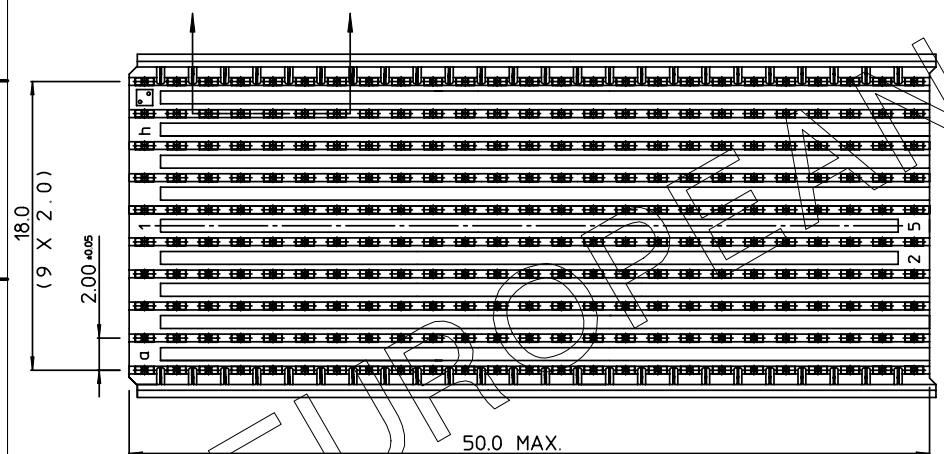
REV.	DATE	DESCRIPTION	BY	C'K'D'
A	14-09-01	CONVERSION REVISION 03	KN	
B	26-10-05	105-0205	ALEX B	BKP



**PERFORMANCE CHARACTERISTICS**

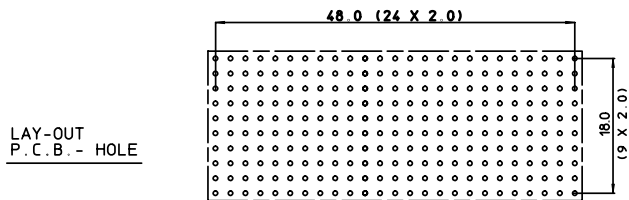
CURRENT RATING : 1.5 A AT 20°C ( FULLY LOADED )  
 1 A AT 70°C ( FULLY LOADED )  
 RATED VOLTAGE : 500 V AC (CONT / CONT )  
 OPERATING TEMPERATURE : -55°C TO 125°C  
 CONTACT RESISTANCE : 20 mΩ MAX  
 INSERTION FORCE : 0.60 N MAX / CONT  
 EXTRACTION FORCE : 0.15 N MIN / CONT  
 INSULATION RESISTANCE : 10<sup>4</sup> MΩ MIN

CAT. NR.	L1 ±0.3	L2 ±0.3	DESCRIPTION
HM2P88PD8111----	3.7	3.7	SHORT PRESS-FIT
HM2P88PC8111----	4.5	4.5	SHORT PRESS-FIT
HM2P88PK8111----	13	4.5	REAR PLUG-UP: LEVEL 1
HM2P88PM8111----	14.5	4.5	REAR PLUG-UP: LEVEL 2
HM2P88PN8111----	16	4.5	REAR PLUG-UP: LEVEL 3
HM2P88PT8111----	13	4.5	WIRE WRAP



**NOTES**

- \*HM2P88P#8111---<sup>CS\*</sup>  
 PERFORMANCE LEVEL INDICATOR (REFER DWG No. BS,C ,201844,003)  
 LEAD FREE INDICATOR : LF=LEAD FREE (DIGIT 15&16)
- THIS PRODUCT IS CSA APPROVED.  
 THIS PRODUCT IS UL RECOGNIZED.
- FOR RECOMMENDED PTH DIMENSIONS REFER DRAWING : BS,A ,201572,001
- THE PRODUCT (LF) MEETS EUROPEAN UNION DIRECTIVES AND OTHER COUNTRY REGULATIONS AS DESCRIBED IN GS-22-008



**MALE SIGNAL STRAIGHT PRESS-FIT-TO-BOARD CONNECTOR**  
 WITHOUT SERVICECENTER (WIDE BODY)

1DEC ±0.2 2DEC ±0.1 ANGLES ±1° HOEKEN	1DEC 2DEC	<b>APPR.</b>	<b>DATE</b>	<b>SIGN.</b>	MILLIPACS 2 / TYPE E (8 ROW) / SHIELDED	
		DRAFT	30-04-96	W.Panis	<b>CAT. No.</b> HM2P88P#8111----	
		CHECKED				
WE RESERVE THE RIGHT TO CHANGE DIMENSIONS OR REQUIREMENTS WITHOUT PRIOR NOTICE.		PROD. MGR.			 FCI MECHELEN N.V. A. SPINOYSTRAT 8, 2800 MECHELEN	
ALL DIMENSIONS IN MM		PR. ENG. MGR.				SCALE
		PR. MGT. MGR.				3 / 1