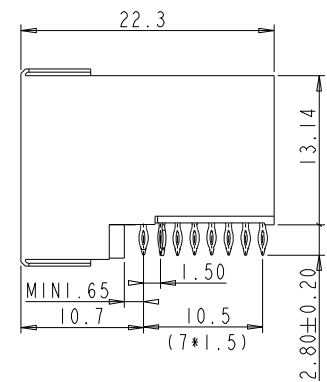
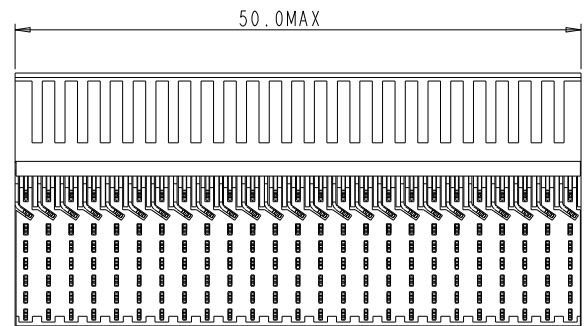
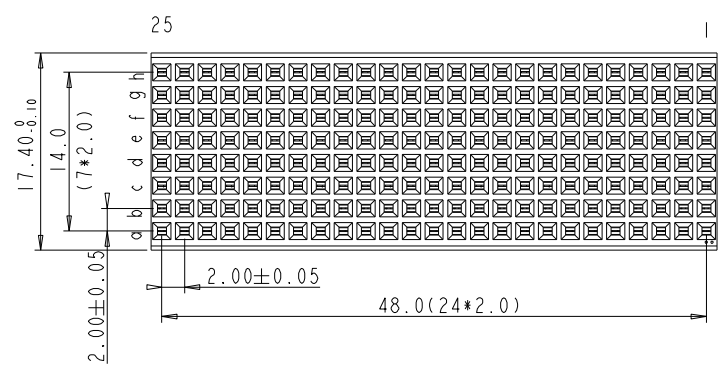


Tous droits strictement réservés. Reproduction ou communication à des tiers interdite sous quelque forme que ce soit sans autorisation écrite du propriétaire. Propriété de c FCI. Droits de reproduction FCI.

FCI

All rights strictly reserved. Reproduction or issue to third parties in any form whatever is not permitted without written authority from the proprietor. Property of FCI. Copyright FCI.

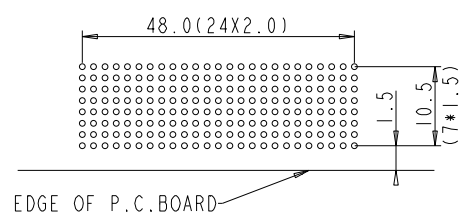


PERFORMANCE CHARACTERISTICS

- CURRENT RATING : 1.5A AT 20°C (FULLY LOADED)
1 A AT 70°C (FULLY LOADED)
- RATED VOLTAGE : 500 V AC (CONT /CONT)
- OPERATING TEMPERATURE : -55°C TO 125°C
- CONTACT RESISTANCE 20 mΩ MAX
- INSERTION FORCE : 0.75N MAX/CONT
- EXTRACTION FORCE : 0.15N MIN/CONT
- INSULATION RESISTANCE : 10⁴ MΩ MIN

- NOTES**
1. " " LEAD FREE INDICATOR :LF=LEAD FREE
" " PERFORMANCE LEVEL INDICATOR (REF DWG NO.BSC .201844.003)
 2. THIS PRODUCT IS CSA APPROVED. THIS PRODUCT IS UL RECOGNIZED.
 3. FOR RECOMMENDED PTH DIMENSIONS REFER DRAWING :BS.A.201572.001
 4. THIS PRODUCT (LF) MEETS EUROPEAN UNION DIRECTIVES AND OTHER COUNTRY REGULATIONS AS DESCRIBED IN GS-22-008

LAY-OUT P.C.B.-HOLE



EDGE OF P.C.BOARD

rev	ecn no	dr	date
A	CONVERSION REVISION 04	KN	14-09-01
B	DG05-0352	KASON	23-09-05
-	-	-	-
-	-	-	-
-	-	-	-
04	BEC9_3563 +BEC9_3525	R.M	22/05/01

Material		Spec ref	
Mat code		tolerance	projection
Heatreat		1DEC ±0.2 1DEC	MM
Plating/Finish		2DEC ±0.1 2DEC	ANGLES ±1°/HOEKEN
Dr	W.Panis	29-04-96	size A4
Eng			Scale 1.500
Chr		Product family	MILLIPACS
Appr		Model Name	ECN
		Model Revision	REL Level
FCI	title	MILLIPACS 8+2R RA RCP CONN TYPE E NO SHIELDING	Rev. B
Pro/E file	catalog	HM288PA8100	dwg no BSC202258002
PDM: Rev.B		STATUS: Released	