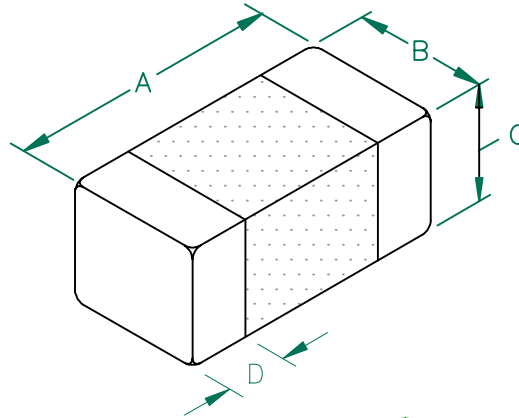


# MI0603K300R-10

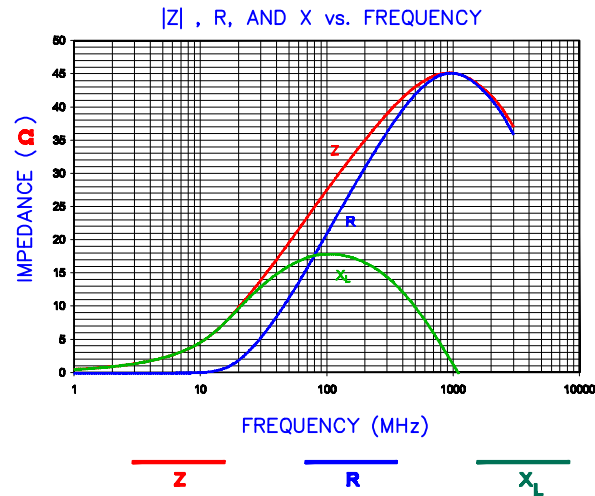
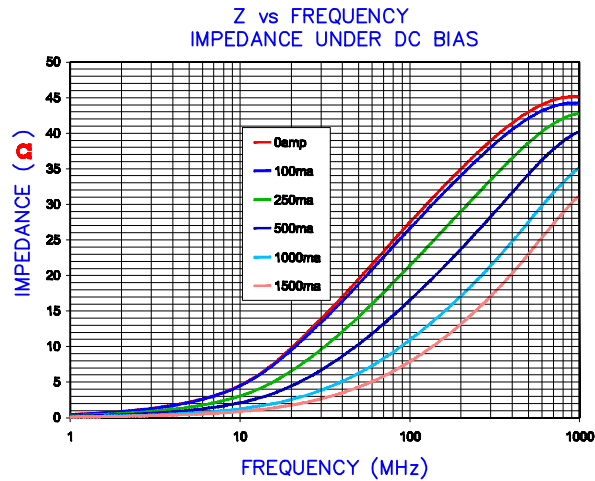
**UNCONTROLLED DOCUMENT**

PHYSICAL DIMENSIONS:

A	1.60 [.063]	+ 0.15	-.006	[.006]
B	0.80 [.031]	+ 0.15	-.006	[.006]
C	0.80 [.031]	+ 0.15	-.006	[.006]
D	0.36 [.014]	+ 0.15	-.006	[.006]



ELECTRICAL CHARACTERISTICS:			
	Z @ 100MHz (Ω)	DCR (Ω)	Rated Current
Nominal	30		
Minimum	23		
Maximum	38	0.09	1500 mA

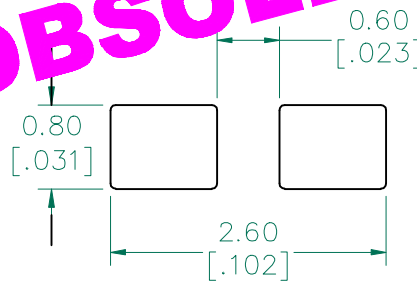


- NOTES: UNLESS OTHERWISE SPECIFIED
1. TAPED AND REELED per CURRENT EIA SPECIFICATIONS 7" REELS, 4000 PCS/REEL.
  2. TERMINATION FINISH IS 100% TIN.
  3. COMPONENTS SHOULD BE ADEQUATELY PREHEATED BEFORE SOLDERING.

**Pb**

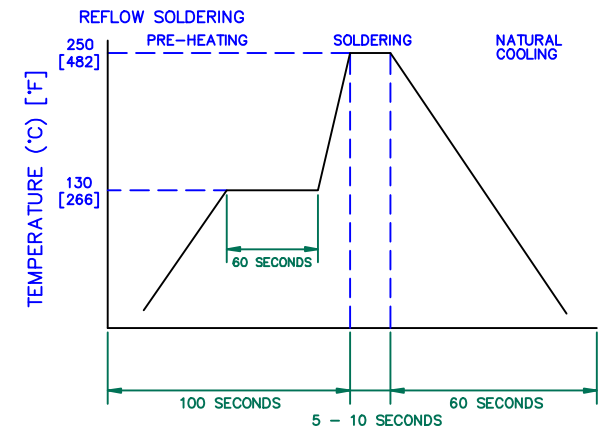
**OBSOLETE**

LAND PATTERNS FOR LOW SOLDERING



(For wave soldering, add 0.762 [.030] to this dimension)

RECOMMENDED SOLDERING CONDITIONS



DIMENSIONS ARE IN mm [INCHES].				THIS DOCUMENT CONTAINS INFORMATION WHICH IS PROPRIETARY AND CONFIDENTIAL TO STEWARD. NO PRODUCTION OR PUBLICATION OF THIS DOCUMENT IN WHOLE OR IN PART SHALL BE MADE WITHOUT WRITTEN AUTHORIZATION FROM STEWARD.			
				<b>Steward</b>			
PROJECT/PART NUMBER:				REV:	PART TYPE:	DRAWN BY:	
MI0603K300R-10				B	CO-FIRE	TMB	
B	CORRECT REF # FROM 3289 TO 3298	07/22/05	JRK	DATE:	04/05/04	SCALE:	SHEET:
A	ORIGINAL DRAFT	04/05/04	TMB	CAD #	MI0603K300R-10-B	TOOL #	2 of 2
REV	DESCRIPTION	DATE	INT				