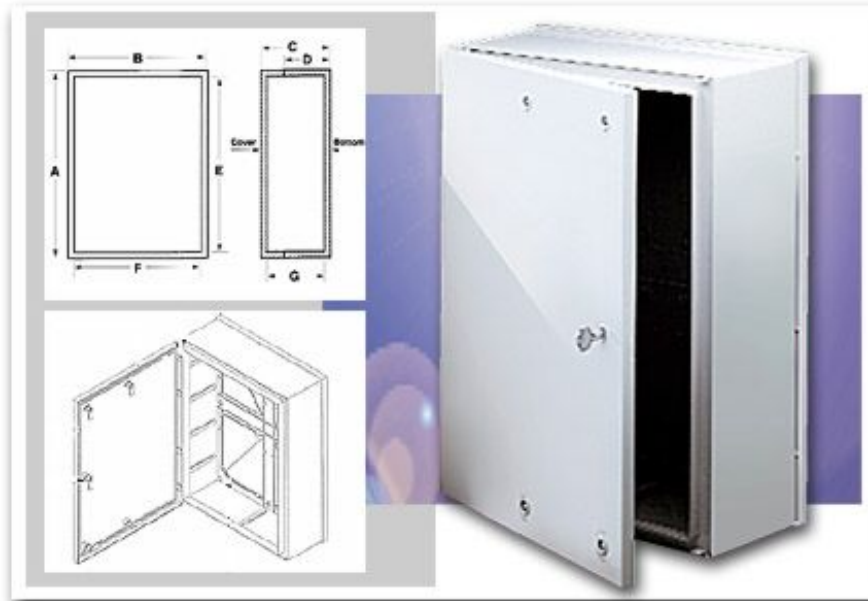




Plastic Boxes

UL/NEMA/IEC NBC Series



[Click on Image for Larger View](#)

These gasketed enclosure meet NEMA 4X, IEC529, IP65, and UL-508-4X specifications which allows them to be used in many wet, dirty and/or corrosive environments.

Design Features

Indoor Versions:

*ABS/PC blended plastic with UL94-5VB flammability rating. Suggested service temperature range -40C to +70C.

*Clear doors are polycarbonate with UL94-5VA flammability rating.

Outdoor Versions:

*Contact Factory

Catalog Number				NBC Series											
Indoor Version		Outdoor Version		Drawings	A	B	C	A	B	C	D	E	F	G	Wgt. Lbs.
Solid Door	Clear Door	Solid Door	Clear Door												
NBC-10352	Contact BUD	Contact BUD	Contact BUD	PDF DXF	800mm	600mm	280mm	32.05"	24.18"	11.00"	10.02"	30.67"	22.82"	10.60"	27.50

DXF Autocad DXF Specifications File
(Requires CAD software such as AutoCAD)

PDF Adobe PDF Specifications File



[Download PDF Viewer](#)

[Home](#) | [Company Info](#) | [Online Catalog](#) | [Check Stock](#) | [Distributor/Price](#)

[Reps](#) | [New](#) | [Search](#) | [Contact](#) | [Privacy Policy](#)

BUD INDUSTRIES INC.

P.O. Box 998

Willoughby, Ohio 44094

Phone: 440-946-3200 Fax: 440-951-4015

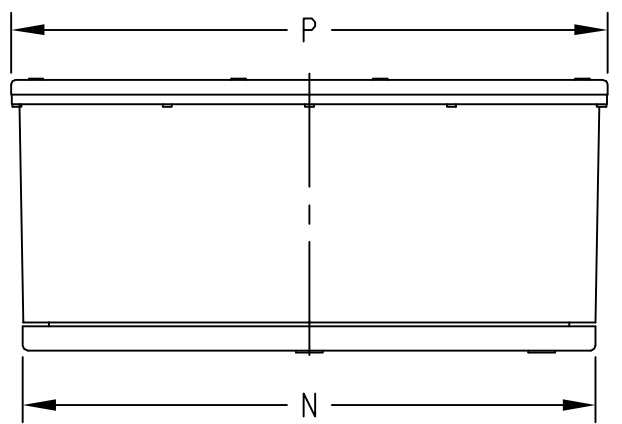
E-Mail: saleseast@budind.com

PART NAME	LARGE NON-METALLIC ENCLOSURE (STYLE C)	PART No.	NBC-10352 & NBC-15352	REV. DATE	6-27-05
-----------	--	----------	-----------------------	-----------	---------

MATERIAL:
INDOOR RATED
 BODY & DOOR _____ ABS/PC BLENDED PLASTIC
 UL94-5VB FLAMMABILITY RATING
 -40°C TO +70°C TEMPERATURE RANGE

OUTDOOR RATED
 BODY & DOOR _____ PBT/PC BLENDED PLASTIC
 UL94-5VA FLAMMABILITY RATING
 -40°C TO +70°C TEMPERATURE RANGE
 UV STABILIZED

FINISH:
 BODY & DOOR _____ LIGHT GRAY



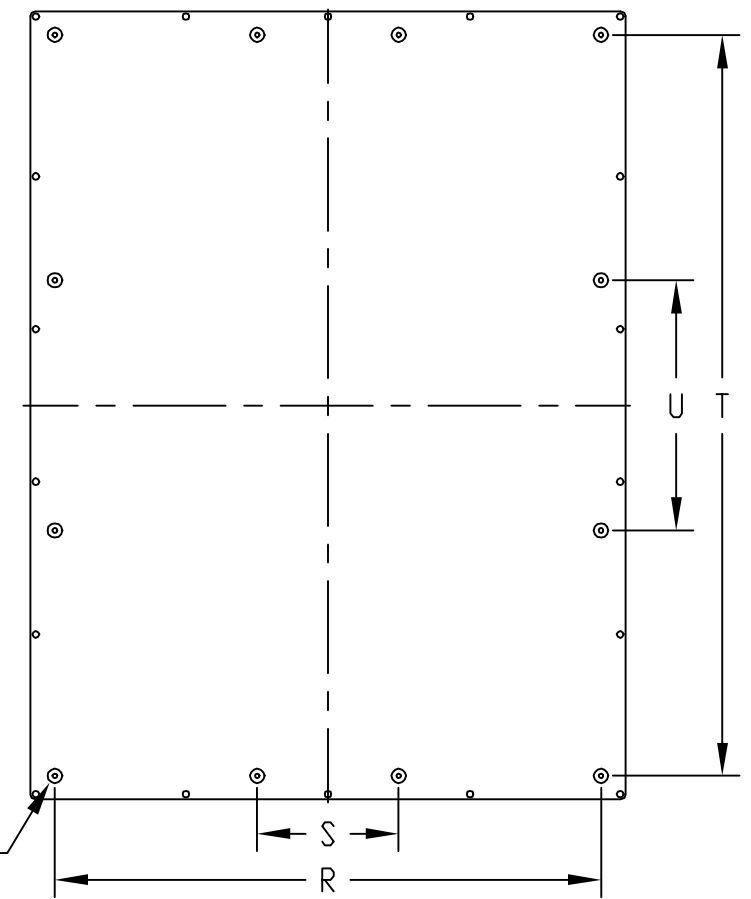
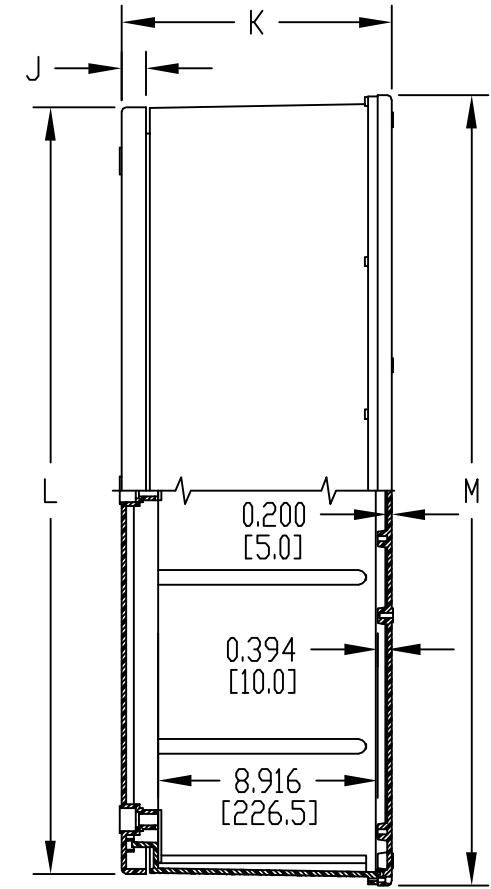
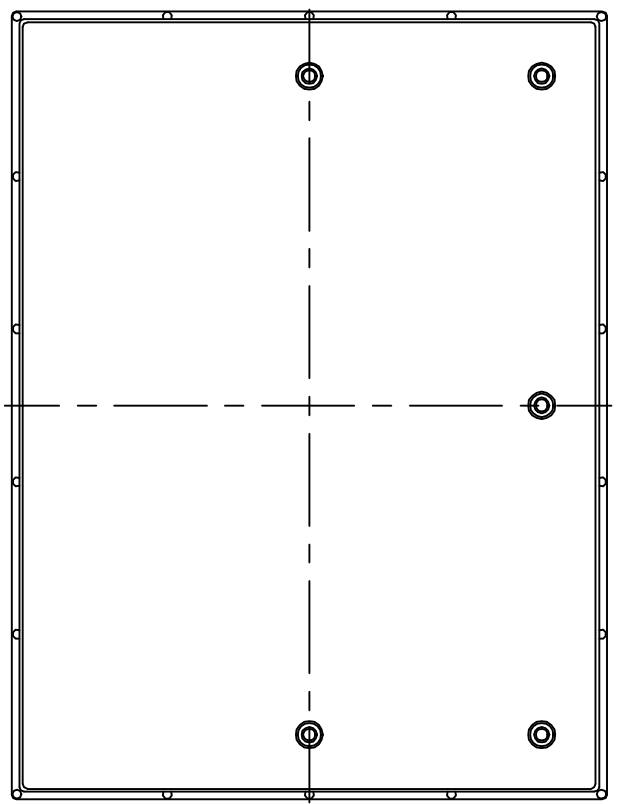
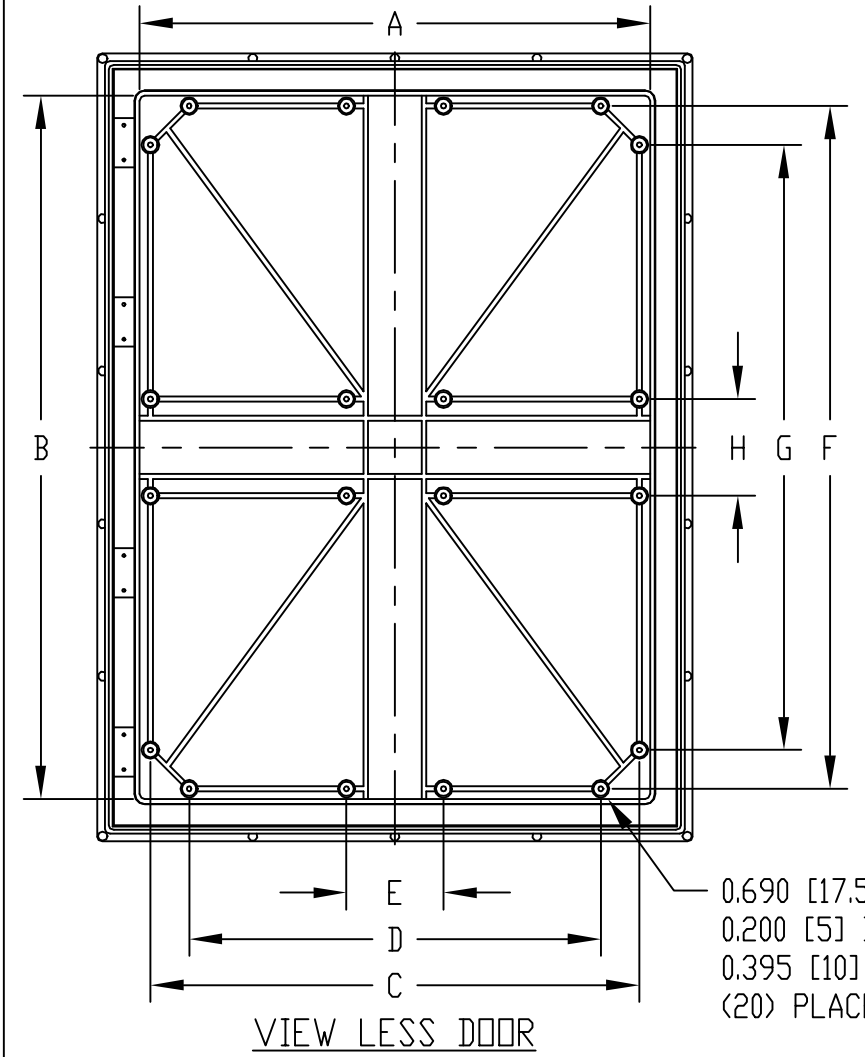
LATCHES & HINGES _____ NON-METALLIC
 WALL MOUNTING BRACKETS _____ STAINLESS STEEL

DOOR IS GASKETED.

INDUSTRY STANDARDS:
INDOOR RATED
 UL508 TYPE 1, 2, 4, 4X INDOOR, 12 & 13
 NEMA TYPE 1, 2, 4, 4X, 12 & 13
 IEC529, IP66

OUTDOOR RATED
 UL508 TYPE 1, 2, 4, 4X, 12 & 13
 NEMA TYPE 1, 2, 4, 4X, 12 & 13
 IEC529, IP66

AIR AND MOISTURE VENTS,
 STAINLESS STEEL LOCKING HASP,
 & GALVANIZED STEEL INTERNAL
 PANEL ARE NOT INCLUDED, BUT
 CAN BE PURCHASED SEPARATELY.



0.690 [17.5] DIA. BOSS WITH
 0.200 [5] DIA. HOLE x
 0.395 [10] DEEP
 (20) PLACES

UNIT COMES COMPLETE WITH
 STAINLESS STEEL WALL
 MOUNTING BRACKETS.
 (NOT SHOWN)

0.590 [15] DIA. BOSS
 WITH M5 x 0.8mm
 THREADED BRASS INSERT
 (12) PLACES

DIMENSIONS = INCHES / [MILLIMETERS]

NOTE: ALL DIMENSIONS HAVE ±0.039 [±1] TOLERANCE UNLESS OTHERWISE SPECIFIED

INDOOR RATED PART NO.	OUTDOOR RATED PART NO.	DIMENSIONS																	
		A	B	C	D	E	F	G	H	J	K	L	M	N	P	R	S	T	U
NBC-10352	NBC-15352	20.740 [526.5]	28.610 [726.5]	19.860 [504]	16.703 [424]	3.900 [99]	27.734 [704]	24.562 [623.5]	3.900 [99]	0.985 [25]	11.000 [279]	31.070 [789]	32.050 [814]	23.225 [589.5]	24.180 [614]	22.203 [563.5]	5.750 [146]	30.125 [765]	10.175 [258]