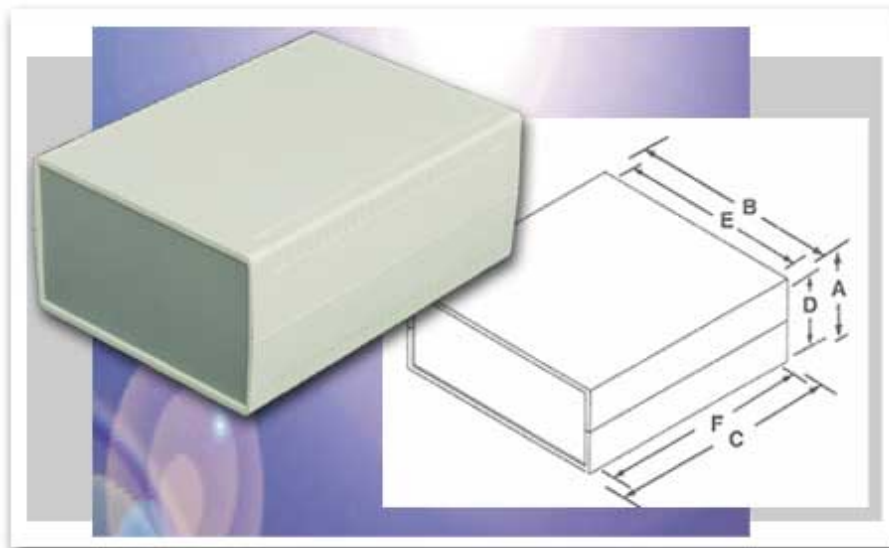


Plastic Boxes

**Plasticase
Style E**[Click on Image for Larger View](#)**Design Features**
Features

- Light gray top and bottom covers with dark gray end panels
- Textured surface makes the box more resistant to marring
- Included screws hold covers together which in turn capture the end panels
- Both top and bottom covers have internal PCB mounting bosses for horizontal board mounting and card guides for vertical board mounting
- Press-in rubber feet are included which cover the cover attachment screw heads and provide a non-slip surface
- Decorative edge detail provides an update modern look
- Durable UL94-HB rated ABS material
- Easily modified with common machine shop tools

Applications

- Test instruments
- Control Boxes
- Any application requiring a desktop plastic enclosure

Related Products

- Push Buttons
- LEDs
- Switches
- Printed Circuit Boards
- Meters

Key Customer Contacts

- Enclosure Specifier
- Design Engineers
- Product Development Managers
- Electronic Engineers



Plasticase Style E											
Catalog Number	Drawings	External Dimensions			Internal Dimensions			Panel Size			Weight
		Height A	Width B	Depth C	Height D	Width E	Depth F	Height	Width	Thickness	(Ozs.)
PC-11460	PDF DXF	1.42"	3.74"	6.22"	1.18"	3.50"	5.81"	1.20"	3.48"	.09"	5.2
PC-11461	PDF DXF	1.85"	3.74"	6.22"	1.61"	3.50"	5.81"	1.63"	3.48"	.09"	5.7
PC-11462	PDF DXF	2.28"	3.74"	6.22"	2.09"	3.50"	5.81"	2.07"	3.48"	.09"	6.3
PC-11463	PDF DXF	1.42"	6.14"	7.09"	1.14"	5.86"	6.68"	1.20"	5.86"	.09"	9.0
PC-11464	PDF DXF	1.73"	6.14"	7.09"	1.45"	5.86"	6.68"	1.52"	5.86"	.09"	9.6
PC-11465	PDF DXF	2.05"	6.14"	7.09"	1.77"	5.86"	6.68"	1.83"	5.86"	.09"	10.2
PC-11466	PDF DXF	1.57"	5.51"	7.48"	1.34"	5.19"	7.07"	1.36"	5.15"	.09"	8.9
PC-11467	PDF DXF	2.40"	5.51"	7.48"	2.12"	5.19"	7.07"	2.14"	5.15"	.09"	10.0
PC-11468	PDF DXF	3.15"	5.51"	7.48"	2.91"	5.19"	7.07"	2.93"	5.15"	.09"	11.2
PC-11469	PDF DXF	1.57"	7.87"	11.02"	1.34"	7.63"	10.61"	1.36"	7.59"	.09"	16.2
PC-11470	PDF DXF	2.40"	7.87"	11.02"	2.12"	7.63"	10.61"	2.14"	7.59"	.09"	18.3
PC-11471	PDF DXF	3.15"	7.87"	11.02"	2.91"	7.63"	10.61"	2.93"	7.59"	.09"	20.4

[DXF](#) Autocad DXF Specifications File
(Requires CAD software such as AutoCAD)

[PDF](#) Adobe PDF Specifications File



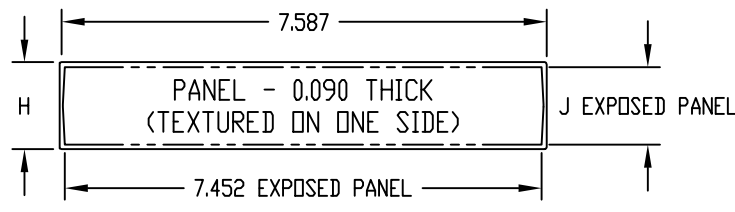
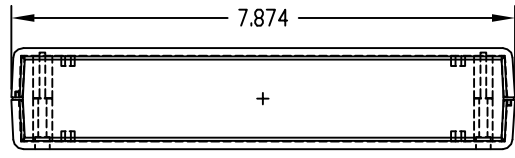
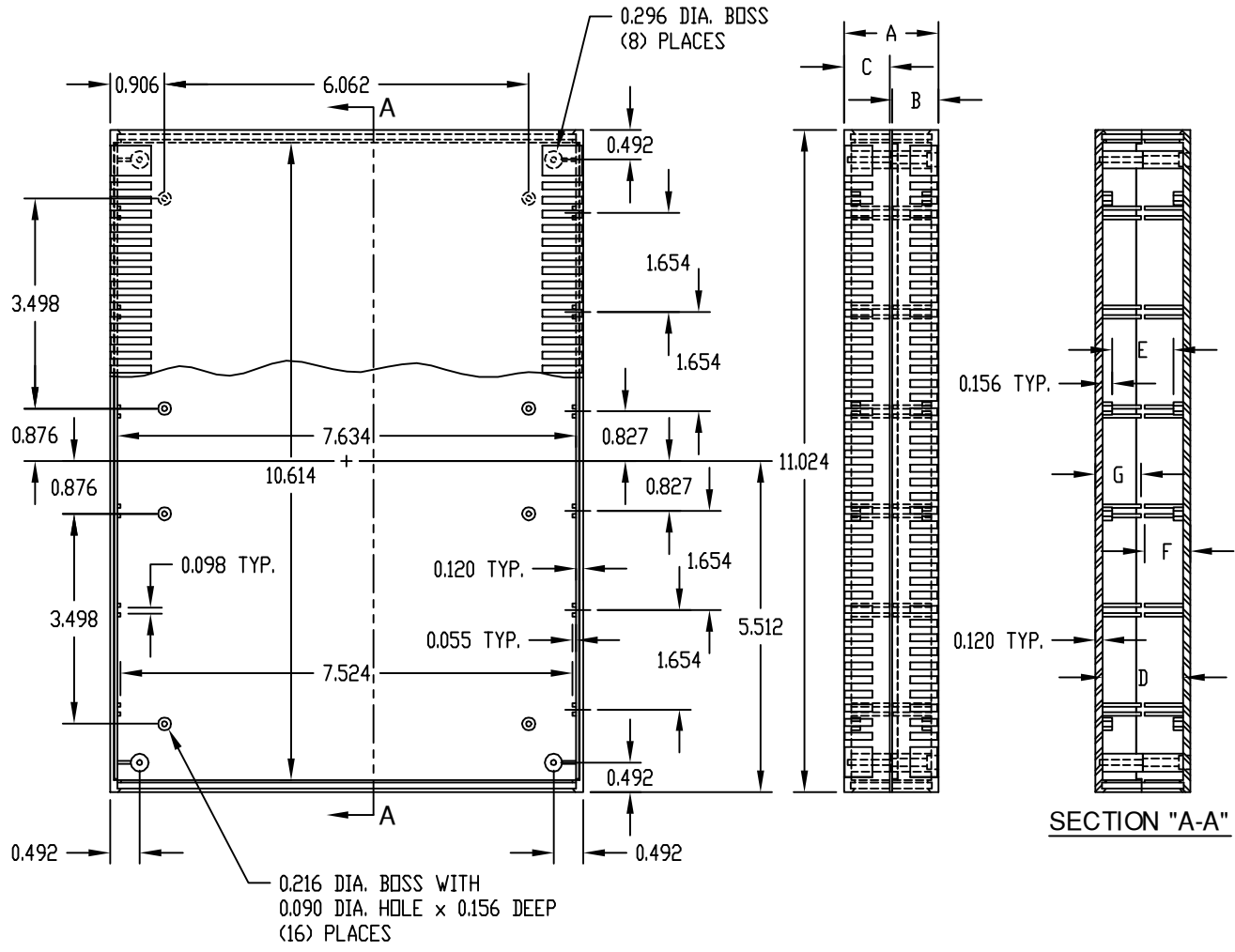
[Download PDF Viewer](#)

PART NAME

PLASTICASE

PART No.

PC-11469, PC-11470 & PC-11471



MATERIAL: ABS THERMOPLASTIC (UL 94-HB RATED)

FINISH: TOP & BOTTOM _____ LIGHT GRAY
PANELS _____ DARK GRAY

FOR PC-11469 & PC-11470
FOUR (4) M3 x 1.087 LG SCREWS SUPPLIED FOR ASSEMBLING BOTTOM TO TOP.

FOR PC-11471
FOUR (4) M3 x 1.887 LG SCREWS SUPPLIED FOR ASSEMBLING BOTTOM TO TOP.

FOUR (4) RUBBER STICK-ON FEET SUPPLIED.

MOUNTING BOSSES USE EITHER M2.5 METRIC OR #4 STD. SHEET METAL SCREWS x 3/16 LG. (NOT SUPPLIED)

NOTE: ALL DIMENSIONS HAVE ±0.015 TOLERANCE UNLESS OTHERWISE SPECIFIED.

PART NO.	A	B	C	D	E	F	G	H	J
PC-11469	1.575	0.768	0.768	1.335	1.023	0.759	0.759	1.356	1.215
PC-11470	2.362	0.768	1.555	2.122	1.810	0.759	1.546	2.143	2.002
PC-11471	3.149	1.555	1.555	2.909	2.597	1.546	1.546	2.930	2.789