



THE PRODUCT

Screwing cases together is a thing of the past – TOPTEC makes it possible. The snap-in system really is revolutionary, since it does not only lead to savings in the assembly of cases.

The PCBs can be fitted on both sides with interfaces that project beyond the actual width of the case. The previous assembly of the connectors on the case wall and the connection cable for the PCB can now be dispensed with.

YOUR ADVANTAGE

Aesthetic design for indoor applications as a desk top or wall mounting system.

Saves you time and costs. Through simple, screwless case assembly.

Base part with lateral opening for quick and easy equipping from all sides.

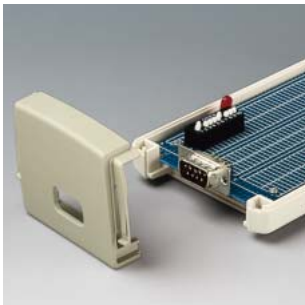
For the first time electronic parts and interfaces can be installed as a complete package.

Removable end panels, available with or without ventilation slots.

High and flat top part.

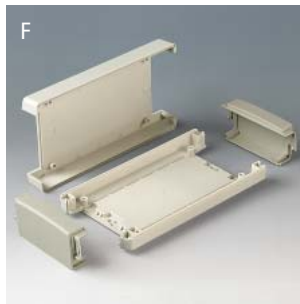
Ideal wall mounting without changing the case design due to hidden wall suspension element with snap-in locking device.

Recessed control area to protect membrane keyboards.



Two colored
 Base/top
 Off-white, RAL 9002
 End panels
 Pebble gray, RAL 7032

One colored
 Black, RAL 9005



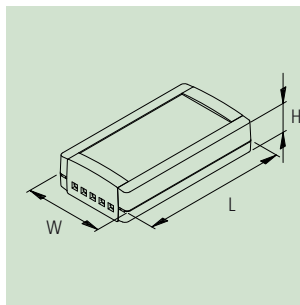
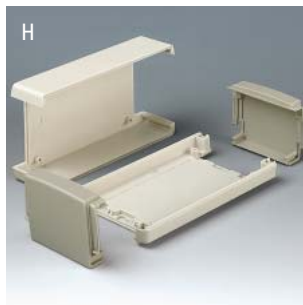
APPLICATIONS

Universal case for electronic and electro-technical devices. For example, for monitoring purposes as check instruments, signalling equipment and control systems, medical field and laboratory technology, computer peripherals, etc.

PROTECTION CLASS IP 40

MAX. SIZE OF PCB*1

TOPTEC	L x W in inches	
	base	top
	without/with vent. slots	
102	3.780 x 1.811 / 3.780 x 1.811	–
123 F/H	4.567 x 2.362 / 4.409 x 2.362	4.528 x 2.362
154 F/H	5.787 x 2.953 / 5.630 x 2.953	4.803 x 2.953
194 F/H	7.362 x 4.173 / 7.205 x 4.173	6.220 x 4.173

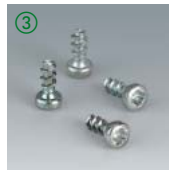


ENCLOSURES

TOPTEC	Outside dim. in inches			Version / Equipment (dim. in inches)		Material	Part-No.		
	L	W	H	ventilation slots	max. dim. keypad		RAL 9002/7032	RAL 9005	
102	4.016	2.126	1.181	I	–	3.252 x 1.496	ABS (UL 94 HB)	B 10 40 365	B 10 40 369
	4.016	2.126	1.181	II	•	3.252 x 1.496	ABS (UL 94 HB)	B 10 40 465	B 10 40 469
123 F	4.843	2.677	1.181	I	–	3.957 x 1.890	ABS (UL 94 HB)	B 10 55 365	B 10 55 369
	4.843	2.677	1.181	II	•	3.957 x 1.890	ABS (UL 94 HB)	B 10 55 465	B 10 55 469
123 H	4.843	2.677	1.772	I	–	3.961 x 1.890	ABS (UL 94 HB)	B 10 50 365	B 10 50 369
	4.843	2.677	1.772	II	•	3.961 x 1.890	ABS (UL 94 HB)	B 10 50 465	B 10 50 469
154 F	6.063	3.307	1.496	I	–	4.941 x 2.358	ABS (UL 94 HB)	B 10 65 365	B 10 65 369
	6.063	3.307	1.496	II	•	4.941 x 2.358	ABS (UL 94 HB)	B 10 65 465	B 10 65 469
154 H	6.063	3.307	2.205	I	–	4.957 x 2.366	ABS (UL 94 HB)	B 10 60 365	B 10 60 369
	6.063	3.307	2.205	II	•	4.957 x 2.366	ABS (UL 94 HB)	B 10 60 465	B 10 60 469
194 F	7.638	4.528	1.811	I	–	6.425 x 3.346	ABS (UL 94 HB)	B 10 75 365	B 10 75 369
	7.638	4.528	1.811	II	•	6.425 x 3.346	ABS (UL 94 HB)	B 10 75 465	B 10 75 469
194 H	7.638	4.528	2.677	I	–	6.417 x 3.343	ABS (UL 94 HB)	B 10 70 365	B 10 70 369
	7.638	4.528	2.677	II	•	6.417 x 3.343	ABS (UL 94 HB)	B 10 70 465	B 10 70 469

ACCESSORIES

Article	For enclosure TOPTEC	Version / Application	Part-No.	
			RAL 7032	RAL 9005
① Wall suspension element	102	plastic, with snap-in connection, 1 pc	B 13 40 028	B 13 40 029
	123 F/H	plastic, with snap-in connection, 1 pc	B 13 50 028	B 13 50 029
	154 F/H	plastic, with snap-in connection, 1 pc	B 13 60 028	B 13 60 029
	194 F/H	plastic, with snap-in connection, 1 pc	B 13 70 028	B 13 70 029
② Fastening element for DIN-Rails acc. to DIN EN 60 715 TH35 / G32	123, 154, 194 F/H	off-white, 1 pc incl. assembly kit (drilling necessary)	B 13 00 017	
	123, 154, 194 F/H	black, 1 pc incl. assembly kit (drilling necessary)	B 13 00 019	
③ Set of screws	for all case sizes	4 x Ø 0.098" x 0.236", for mounting PCBs	A 91 99 008	



• included

*! cutouts for case assembly not taken into consideration