



Features

- Formerly *J.W. Miller* model
- Current rating up to 7 A
- Compact size
- Tape and reel packaging
- RoHS compliant*

Applications

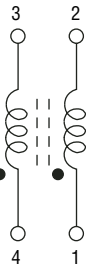
- Filtering
- Common mode

PM3700 Series - SMD Common Mode Choke

Electrical Specifications

Bourns Part No.	Inductance mH Min. @ 1 KHz	DCR (Ω) Max.	Irms (A)	Typical Frequency Range with 20 dB Atten.
PM3700-10-RC	0.2	0.008	7.0	5 - 55 MHz
PM3700-20-RC	0.5	0.010	6.0	4 - 40 MHz
PM3700-30-RC	0.8	0.012	5.5	1 - 20 MHz
PM3700-40-RC	1.0	0.020	4.0	500 KHz - 40 MHz
PM3700-50-RC	2.0	0.030	3.5	300 KHz - 20 MHz
PM3700-60-RC	5.0	0.070	2.0	100 KHz - 10 MHz
PM3700-70-RC	10	0.150	1.5	50 KHz - 5 MHz
PM3700-80-RC	20	0.250	1.0	25 KHz - 4 MHz

Schematic



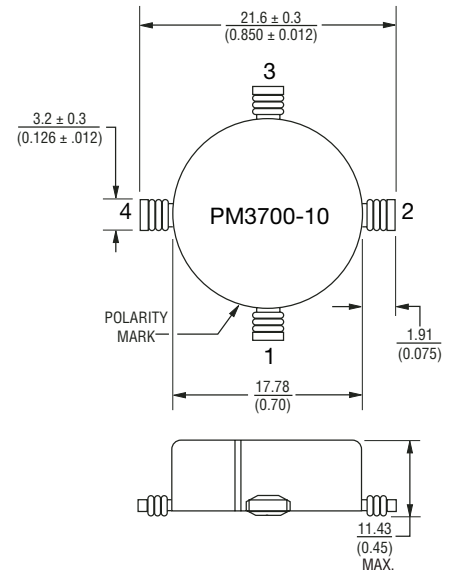
General Specifications

Temperature Rise ...35 °C typical at I_{rms}
 Operating Temperature ...-55 °C to +105 °C
 Storage Temperature.....-55 °C to +105 °C
 Soldering.....245 °C, 5 seconds max.
 Dielectric Strength.....500 Vrms
 between windings

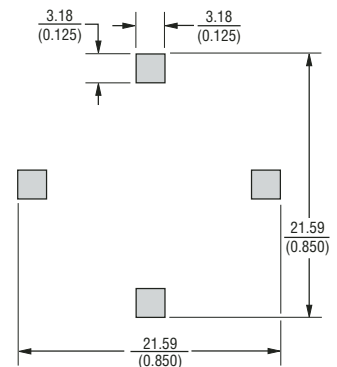
Materials

Core.....Ferrite
 Wire.....Polyester-coated copper
 Terminal Coating.....Sn-Ag-Cu alloy
 Packaging200 pcs. per 13-inch reel

Product Dimensions



Recommended Pad Layout



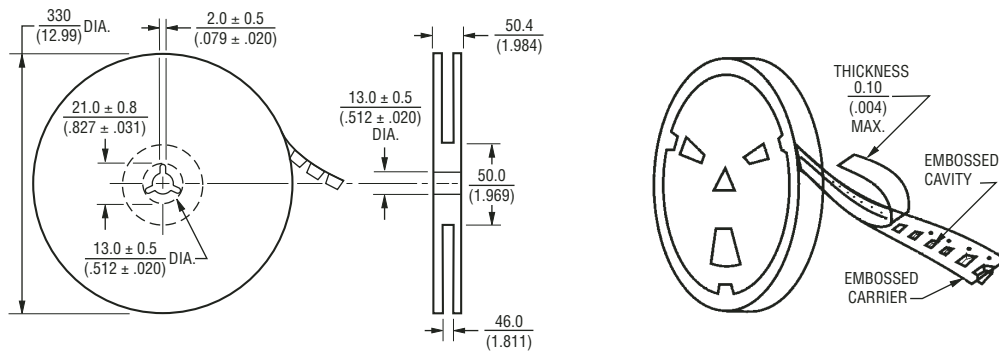
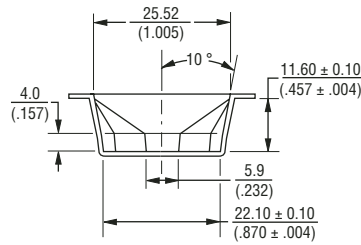
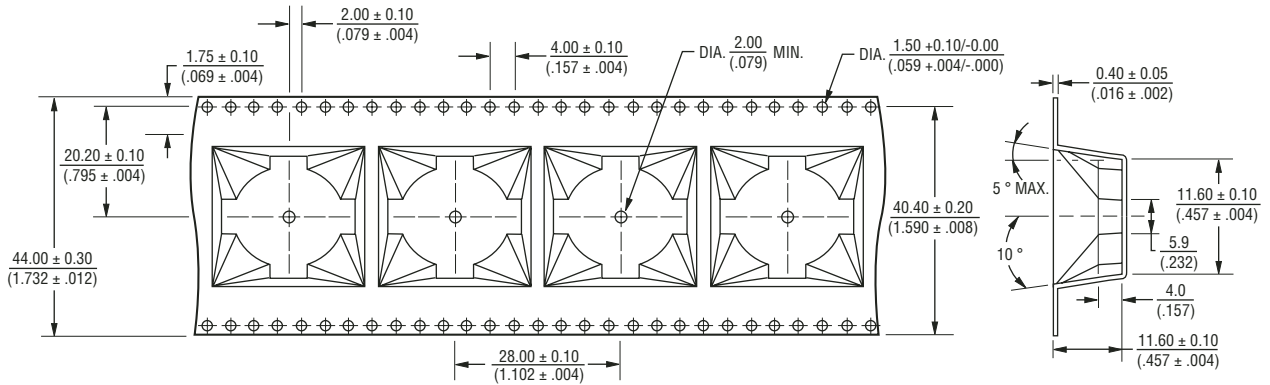
DIMENSIONS: $\frac{\text{MM}}{\text{(INCHES)}}$

*RoHS Directive 2002/95/EC Jan 27 2003 including Annex
 Specifications are subject to change without notice.
 Customers should verify actual device performance in their specific applications.

PM3700 Series - SMD Common Mode Choke

BOURNS®

Packaging Specifications



DIMENSIONS: $\frac{\text{MM}}{\text{(INCHES)}}$

REV. 09/08

Specifications are subject to change without notice. Customers should verify actual device performance in their specific applications.