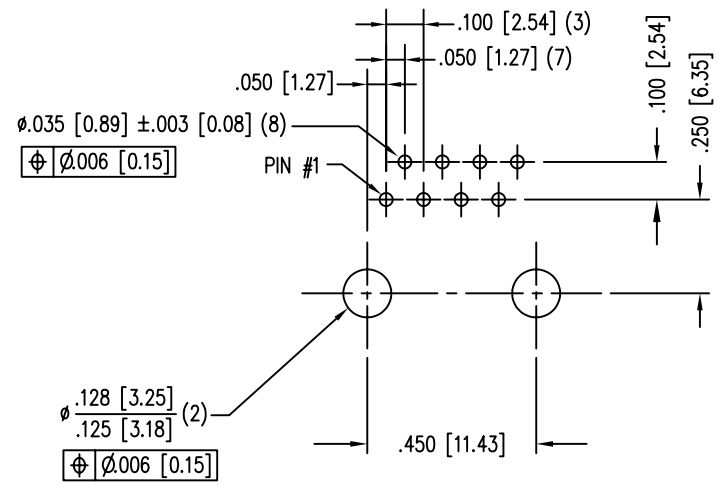
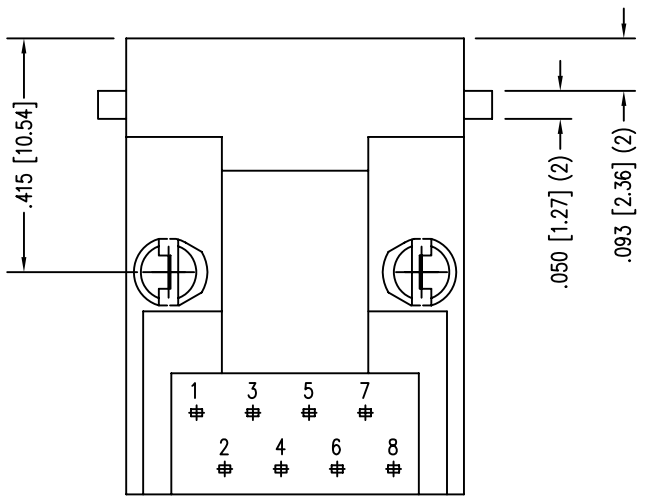
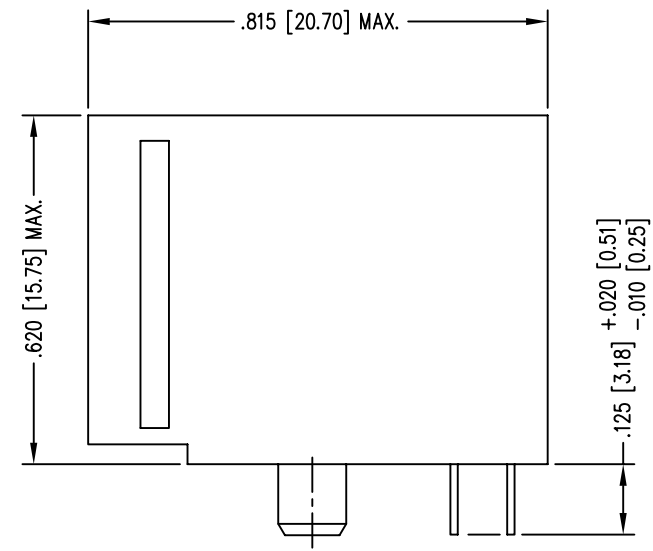
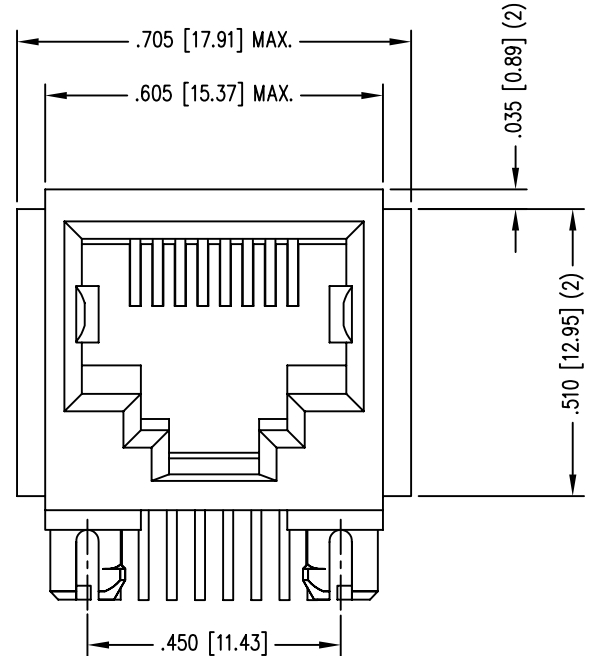


DATE	REV	ECN	APP'D. BY
02-05-03	A2	5811	RGC
7-15-05	B0	7119	DG
11-11-05	B1	7375	TRM



P.C.B. RECOMMENDED HOLE LAYOUT
SEEN FROM COMPONENT SIDE
ALL CENTERLINE DIMENSIONS ARE BASIC.

- NOTES:
- CONNECTOR MATERIALS:
HOUSING: THERMOPLASTIC UL94 V-0
CONTACTS: COPPER ALLOY
CONTACT PLATING: SELECTIVE GOLD IN CONTACT AREA
SEE CHART FOR PART NUMBER
 - FOR PRODUCT SPECIFICATION SEE PRO22-01
 - TOLERANCES COMPLY WITH F.C.C. DIMENSION REQUIREMENTS.



50 MICRO-INCHES [1.27um]	SS-6388-FLS-50
30 MICRO-INCHES [0.76um]	SS-6388-FLS
CONTACT PLATING IN MATING AREA	PART NUMBER

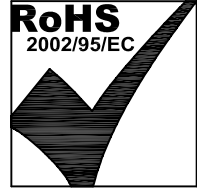
THIRD ANGLE PROJECTION

DO NOT SCALE DRAWING
DRAWING IS SUBJECT TO
CHANGE WITHOUT NOTICE

DIMENSIONS: INCHES [METRIC]

UNLESS OTHERWISE SPECIFIED
TOLERANCES ARE ±.005 [0.13]
ANGLES ARE ± 1°

SHEET NO. 1 OF 1



Bel Stewart Connector

11118 Susquehanna Trail South
Glen Rock, PA 17327-9199
(717) 235-7512 Fax: (717) 235-7954

TITLE: EIGHT CONTACT, EIGHT POSITION UNSHIELDED JACK
FLANGED

THIS DRAWING AND THE SUBJECT MATTER SHOWN THEREON
ARE CONFIDENTIAL AND THE PROPRIETARY PROPERTY OF
STEWART CONNECTOR ("SCS") AND SHALL NOT BE
REPRODUCED, COPIED OR USED IN ANY MANNER WITHOUT
PRIOR WRITTEN CONSENT OF "SCS". THE SUBJECT MATTER
MAY BE PATENTED OR A PATENT MAY BE PENDING. © SCS

DRN BY: SAR	DATE 2-5-03
APPD BY: RGC	DATE 2-24-03
DWG NO. CT630016	REV. B1