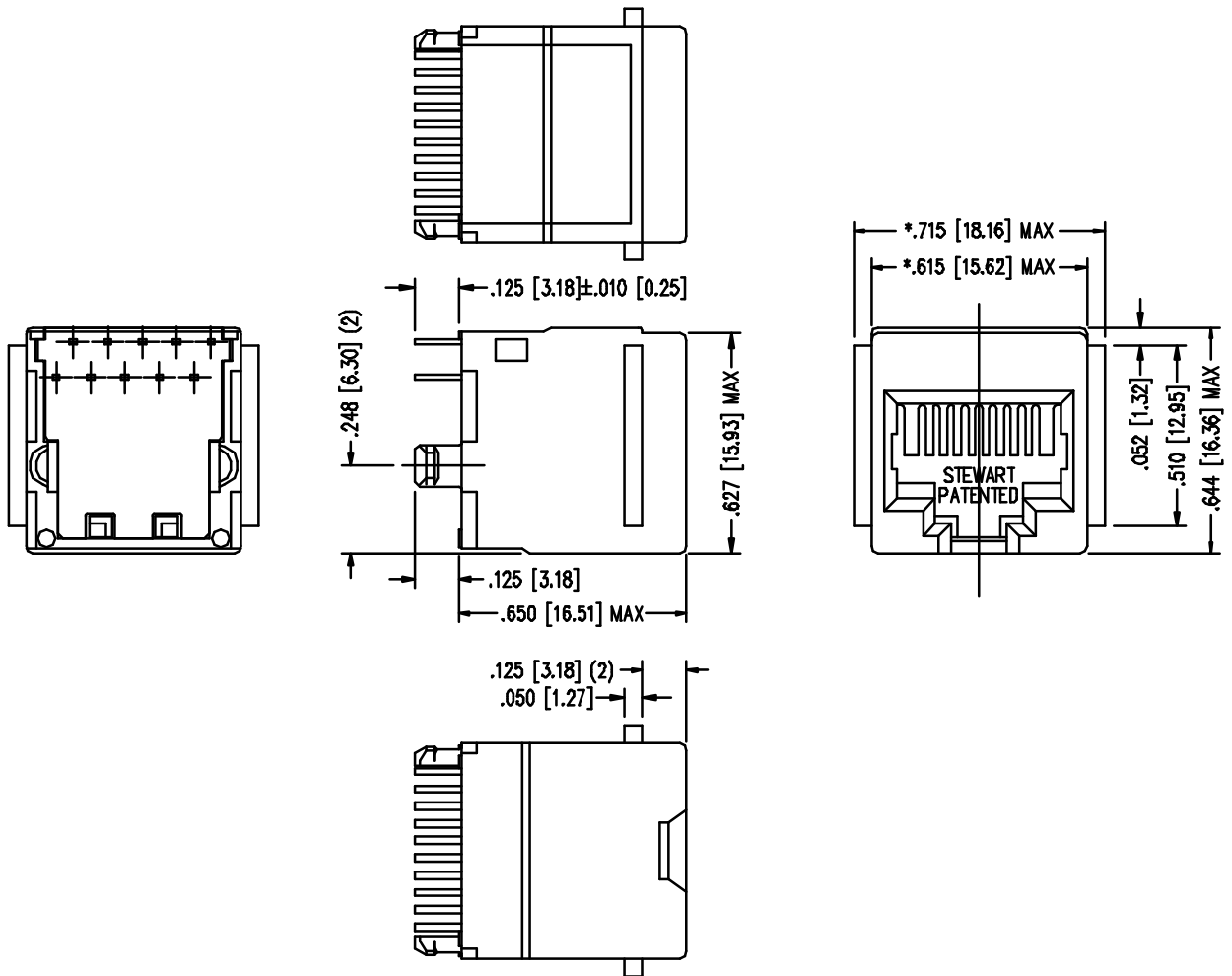


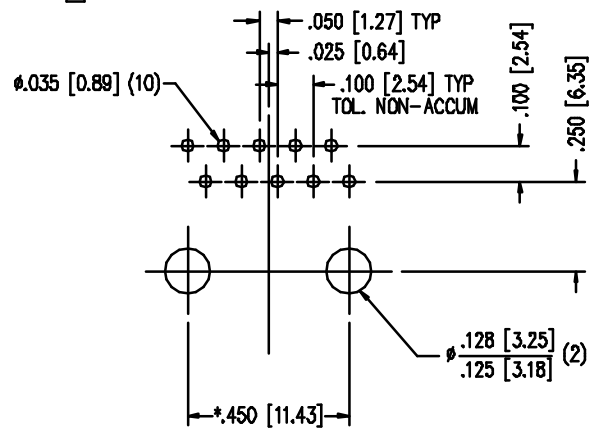
**STEWART
CONNECTOR
SYSTEMS, INC.**

R.D. 2, BOX 2020 GLEN ROCK, PENNSYLVANIA 17327

PART NO.- SS-651010-A-FLS
TEN CONTACT, TEN POSITION; VERTICAL MOUNT JACK
"-FLS" FLANGED



**FOR REFERENCE
ONLY**



- NOTES:
- TOLERANCE COMPLY WITH F.C.C. DIMENSION REQUIREMENTS ALL OTHERS $\pm .005 [0.13]$ UNLESS OTHERWISE SPECIFIED.
 - DIMENSIONS SHOWN WITH "*" TO BE CENTRAL ABOUT CENTER LINE

- AVAILABLE WITH:
- 30 & 50, MICRO-INCH SELECTIVE GOLD PLATING
 - LOADED 1 - 10 CONTACTS

P.C.B. RECOMMENDED HOLE LAYOUT
SEEN FROM COMPONENT SIDE
TOLERANCE $\pm .003 [0.08]$ UNLESS OTHERWISE SPECIFIED