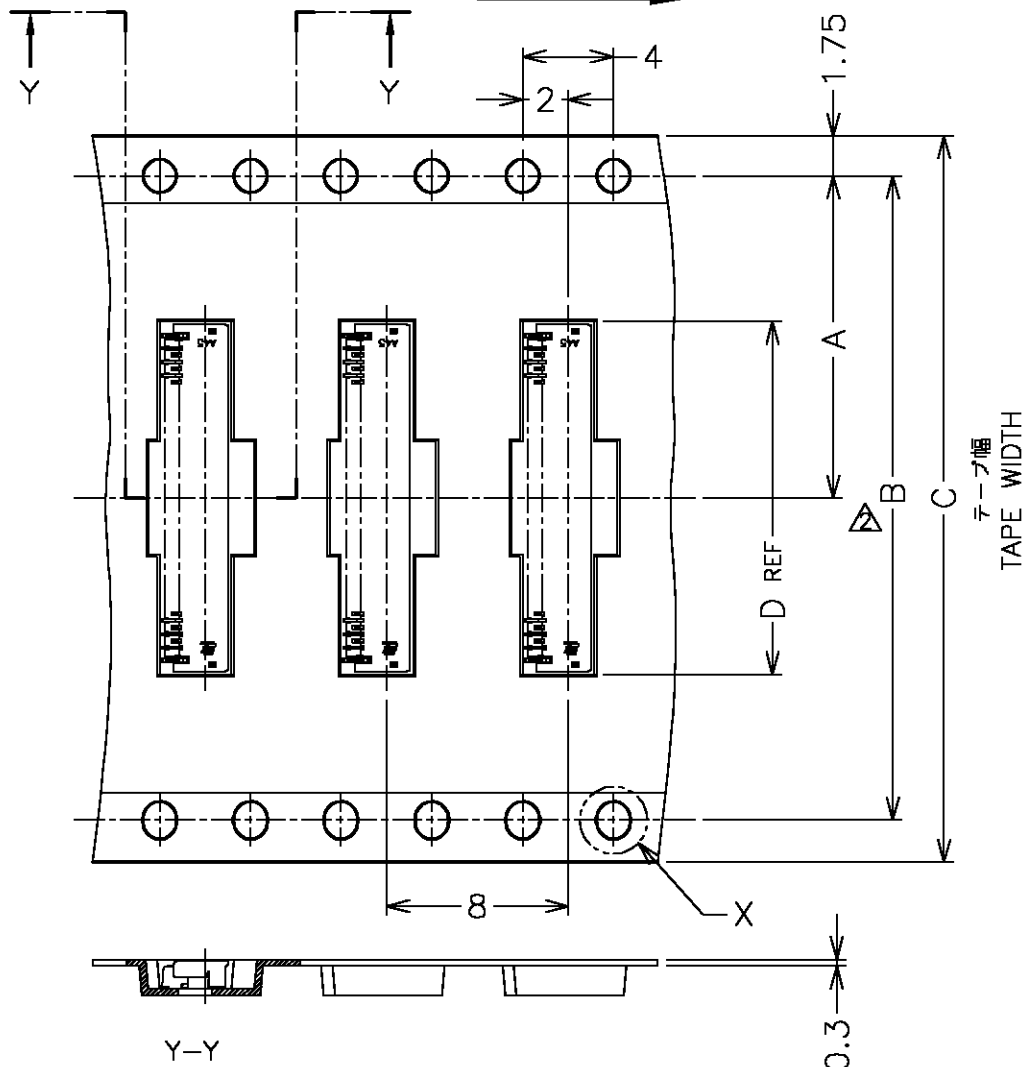


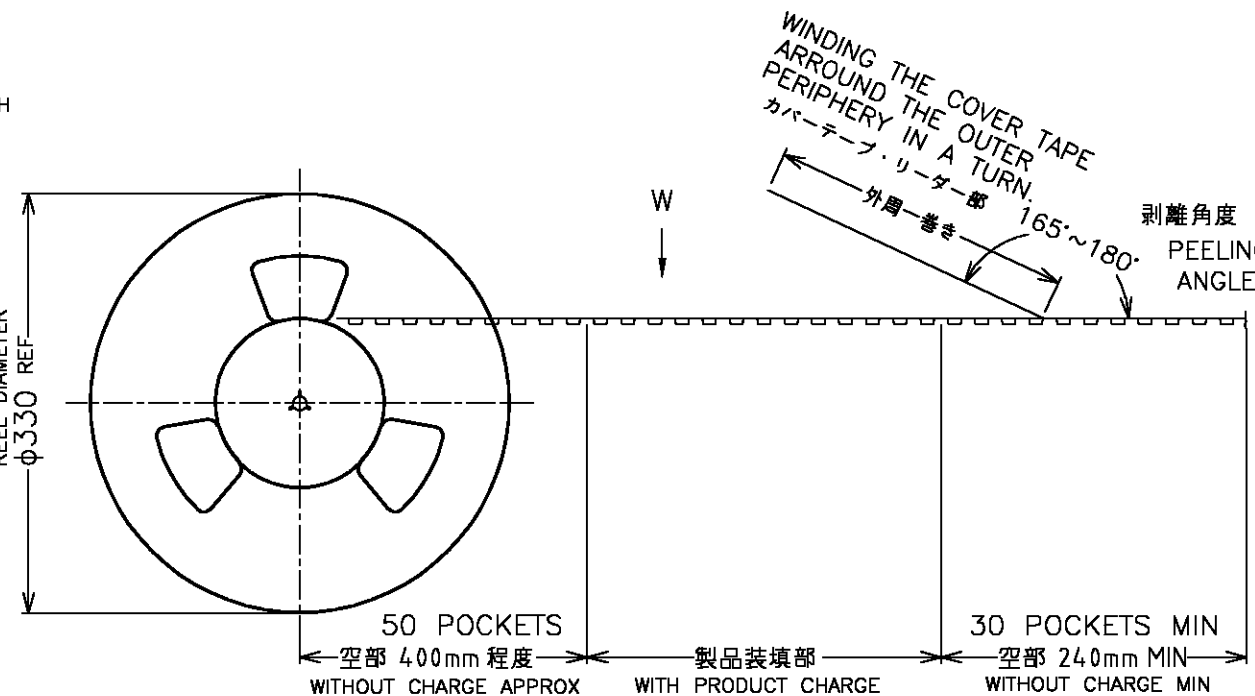
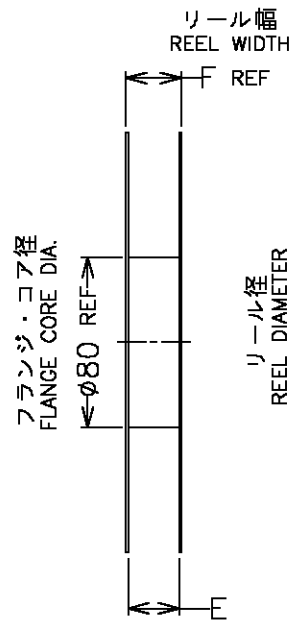
THIS DRAWING IS UNPUBLISHED. RELEASED FOR PUBLICATION
 © COPYRIGHT BY TYCO ELECTRONICS CORPORATION. ALL RIGHTS RESERVED.

LOC	DIST	REVISIONS					
J	—	P	LTR	DESCRIPTION	DATE	DWN	APVD
		D		REVISED	28MAY08	Y.K	T.K

リール引出し方向
DIRECTION OFF TOP OF REEL



VIEW W
テープ幅32mm以上に適用
APPLIED TAPE WIDTH 32MM, MORE.



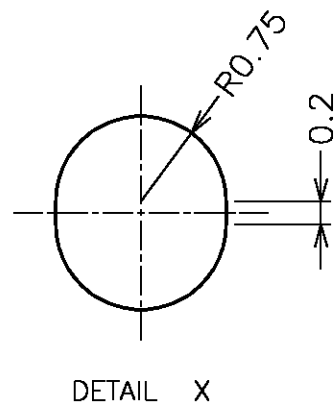
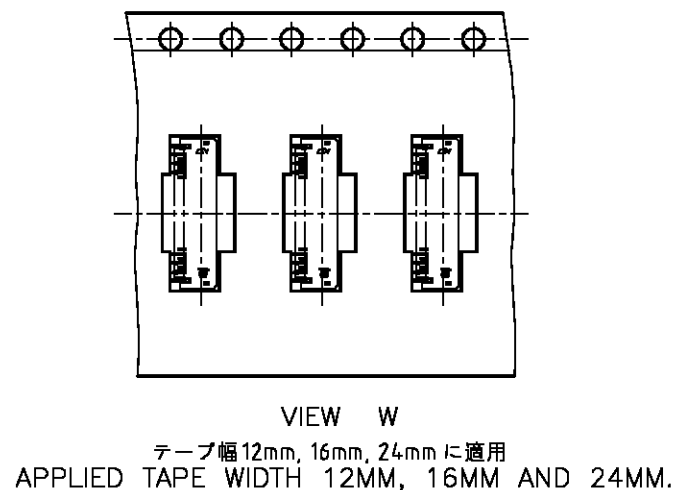
△ GENERAL TOLERANCE
 10 \geq : ± 0.2
 30 \geq >10: ± 0.25
 100 \geq >30: ± 0.3
 ANGLES: $\pm 3^\circ$

△ DIM. B AND DETAIL "X" APPLIED TAPE WIDE, 32mm MORE.

△ 一般公差
 10以下: ± 0.2
 10を越え 30以下: ± 0.25
 30を越え 100以下: ± 0.3
 角度: $\pm 3^\circ$

△ B寸法及び"X"詳細図は、テープ幅32mm以上に適用

AVAILABLE	0.102g	30.4	24.4	17.35	24	—	11.5	4000	51	2-2013496-1
AVAILABLE	0.090g	30.4	24.4	15.55	24	—	11.5	4000	45	1-2013496-8
AVAILABLE	0.083g	30.4	24.4	14.35	24	—	11.5	4000	41	1-2013496-6
AVAILABLE	0.080g	30.4	24.4	13.75	24	—	11.5	4000	39	1-2013496-5
AVAILABLE	0.066g	30.4	24.4	11.35	24	—	11.5	4000	31	1-2013496-1
AVAILABLE	0.062g	30.4	24.4	10.75	24	—	11.5	4000	29	1-2013496-0
AVAILABLE	0.059g	30.4	24.4	10.15	24	—	11.5	4000	27	2013496-9
AVAILABLE	0.048g	22.4	16.4	8.35	16	—	7.5	4000	21	2013496-6
STATUS	CONNECTOR WEIGHT	DIMENSIONS						数量(ヶ) QTY/REEL	POS.(N)	EMBOSS TAPE PACKAGING PART NUMBER
		F	E	D	C	B	A			



THIS DRAWING IS A CONTROLLED DOCUMENT.

DIMENSIONS: mm	TOLERANCES UNLESS OTHERWISE SPECIFIED: 0 PLC ± 0.3 1 PLC ± 0.3 2 PLC ± 0.3 3 PLC ± 0.3 4 PLC ± 0.3 ANGLES $\pm 3^\circ$	FINISH SEE NOTE 4	MATERIAL SEE NOTE 3	APVD Y.KODAIRA 29NOV07	CHK T.KUSUHARA 29NOV07	APVD T.KUSUHARA 29NOV07	PRODUCT SPEC 108-78351	APPLICATION SPEC 411-78302	WEIGHT SEE TABLE	SIZE A3	CAGE CODE 00779	DRAWING NO C-2013496	RESTRICTED TO —
----------------	---	----------------------	------------------------	------------------------------	------------------------------	-------------------------------	---------------------------	-------------------------------	---------------------	------------	--------------------	-------------------------	--------------------

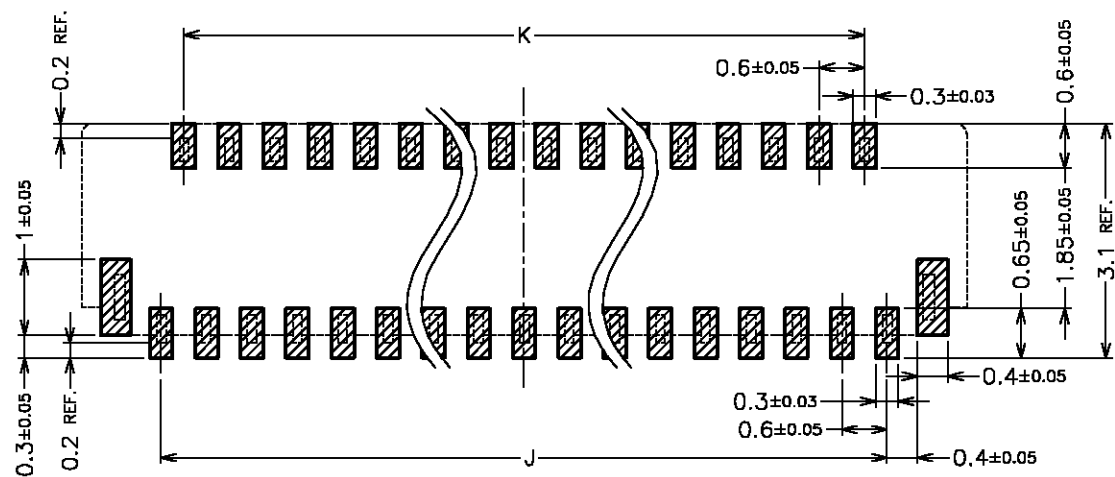
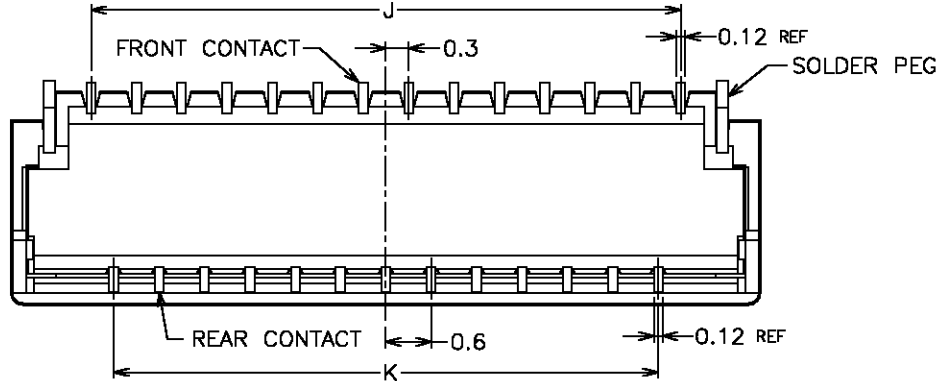
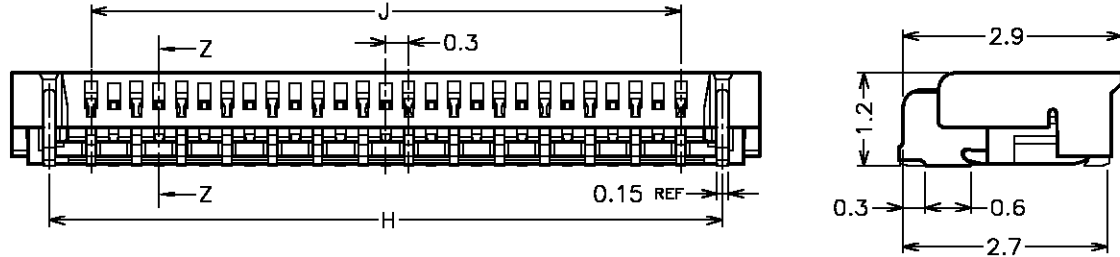
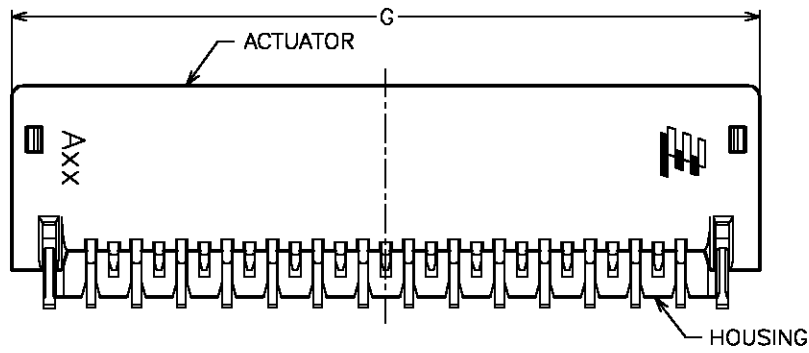
CUSTOMER DRAWING

SCALE 10:1 SHEET 1 OF 2 REV D

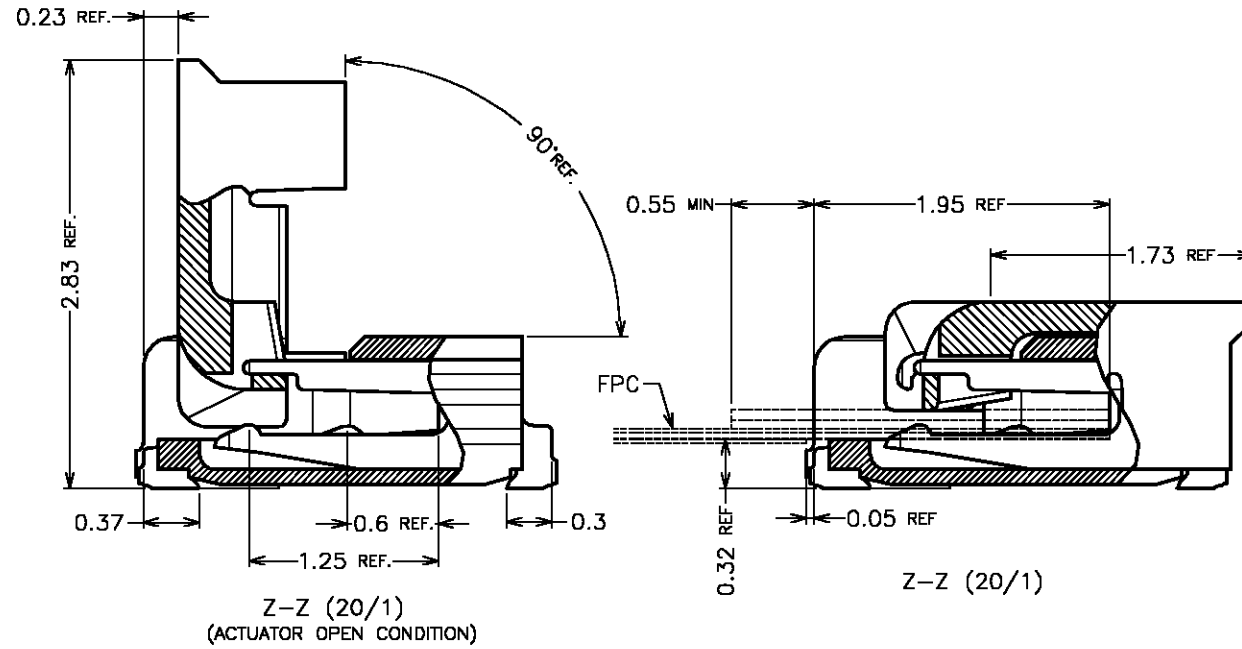
Y. KODAIRA 29NOV07
T. KUSUHARA 29NOV07
Tyco Electronics AMP K.K. Kawasaki, Japan
0.3FPC Narrow BF-L-1.2H
1.2mmH, 2.9mmW, GOLD PLATE

THIS DRAWING IS UNPUBLISHED. RELEASED FOR PUBLICATION
 © COPYRIGHT BY TYCO ELECTRONICS CORPORATION. ALL RIGHTS RESERVED.

LOC	DIST	REVISIONS					
J	—	P	LTR	DESCRIPTION	DATE	DWN	APVD
		—		SEE SHEET 1	—	—	—

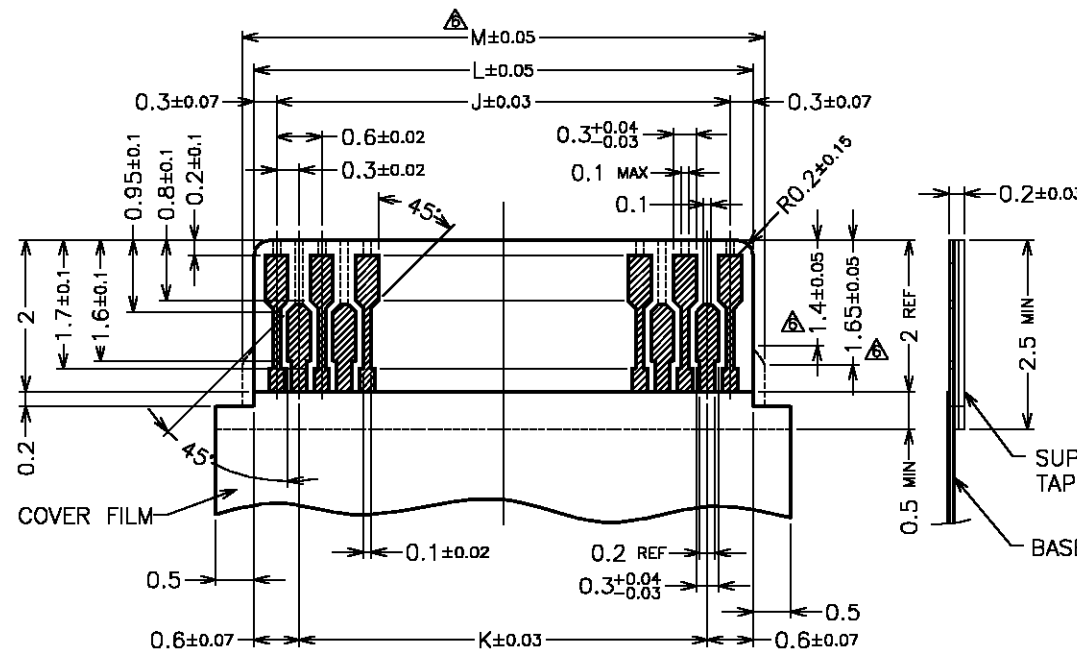


RECOMMENDED PCB PATTERN DIMENSION



Z-Z (20/1)
(ACTUATOR OPEN CONDITION)

Z-Z (20/1)



RECOMMENDED FPC PATTERN DIMENSION
 CONDUCTOR : GOLD OVER NICKEL PLATING (Au 0.1µm MIN.)

3. MATERIAL
 HOUSING : GRASS FILLED LCP, UL94V-0 (COLOR : NATURAL)
 ACTUATOR : GRASS FILLED PPS, UL94V-0 (COLOR : BLACK)
 FRONT CONTACT : COPPER ALLOY
 REAR CONTACT : COPPER ALLOY
 SOLDER PEG : COPPER ALLOY

4. FINISH
 FRONT CONTACT : GOLD OVER NICKEL PLATING
 REAR CONTACT : GOLD OVER NICKEL PLATING
 SOLDER PEG : TIN OVER NICKEL PLATING

5. THIS PRODUCT IS THE NICKEL DAM TYPE.

△ DIM. M IS APPLIED BELOW 25PINS.

3. 材質
 ハウジング : ガラス繊維入りLCP樹脂 UL94V-0 (色:乳白色)
 アクチュエーター : ガラス繊維入りPPS樹脂 UL94V-0 (色:黒)
 フロントコンタクト : 銅合金
 リアコンタクト : 銅合金
 ソルダペグ : 銅合金

4. めっき
 フロントコンタクト : 金めっき (ニッケル下地めっき)
 リアコンタクト : 金めっき (ニッケル下地めっき)
 ソルダペグ : スズめっき (ニッケル下地めっき)

5. 本品は、Niダム仕様のコネクタである。

△ DIM. M は、25POS. 以下に適用。

—	15.6	14.4	15.0	16.1	17.1	51	2-2013496-1
—	13.8	12.6	13.2	14.3	15.3	45	1-2013496-8
—	12.6	11.4	12.0	13.1	14.1	41	1-2013496-6
—	12.0	10.8	11.4	12.5	13.5	39	1-2013496-5
—	9.6	8.4	9.0	10.1	11.1	31	1-2013496-1
—	9.0	7.8	8.4	9.5	10.5	29	1-2013496-0
—	8.4	7.2	7.8	8.9	9.9	27	2013496-9
—	6.9	6.6	5.4	6.0	7.1	21	2013496-6
M △	L	K	J	H	G	POS.	CONN. PART No.

THIS DRAWING IS A CONTROLLED DOCUMENT.

DIMENSIONS: mm	TOLERANCES UNLESS OTHERWISE SPECIFIED: 0 PLC ± 0.3 1 PLC ± 0.3 2 PLC ± 0.3 3 PLC ± 0.3 4 PLC ± 0.3 ANGLES ± 3°	DWN	Tyco Electronics Kawasaki, Japan	
MATERIAL SEE NOTE 3	FINISH SEE NOTE 4	CHK		NAME
		APVD		0.3FPC Narrow BF-L-1.2H 1.2mmH, 2.9mmW, GOLD PLATE
		PRODUCT SPEC		SIZE CAGE CODE DRAWING NO RESTRICTED TO
		APPLICATION SPEC	A3 00779 C-2013496	
		WEIGHT	SCALE 10:1 SHEET 2 OF 2 REV D	

CUSTOMER DRAWING