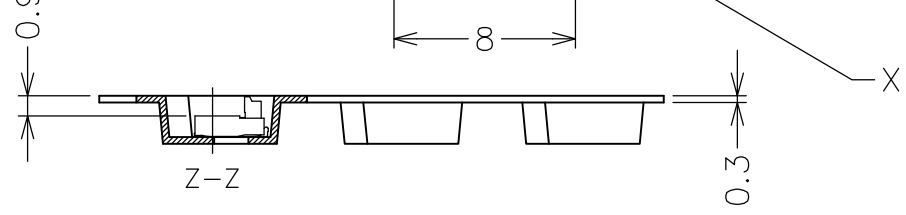
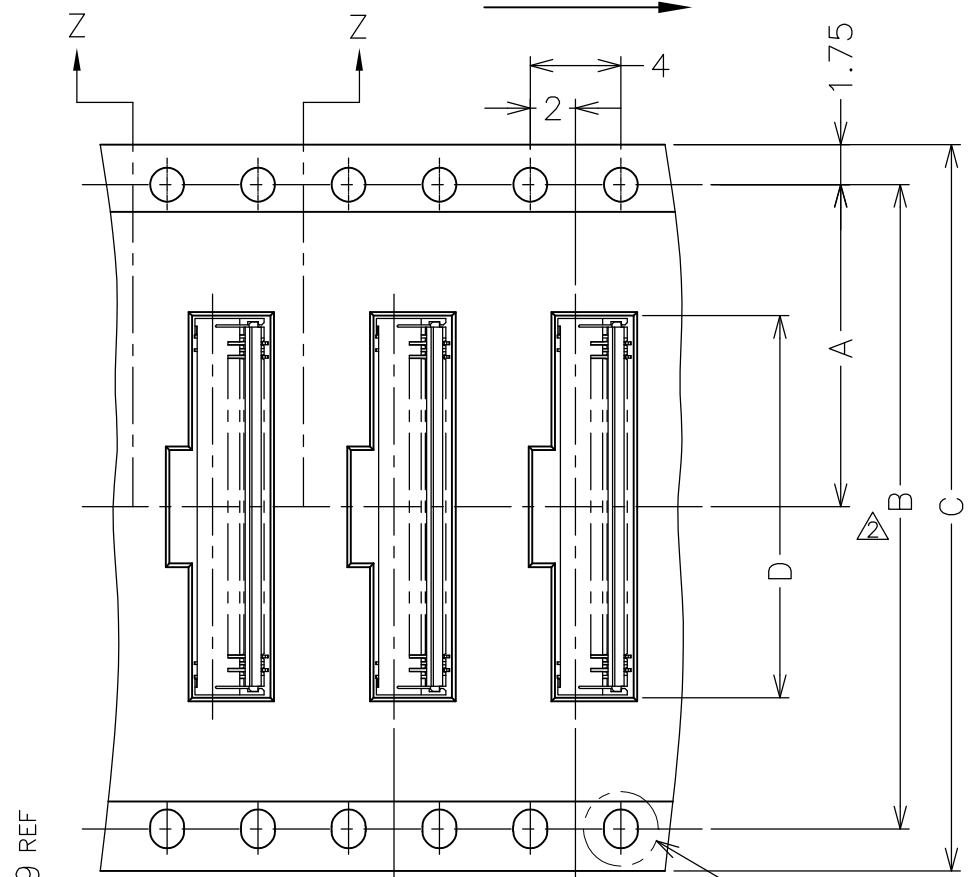


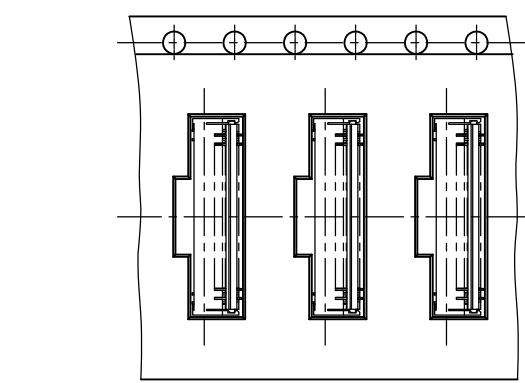
THIS DRAWING IS UNPUBLISHED. RELEASED FOR PUBLICATION
 © COPYRIGHT BY TYCO ELECTRONICS CORPORATION. ALL RIGHTS RESERVED.

| LOC | DIST | REVISIONS | | | | | |
|-----|------|-----------|---------|-------------|-----------|-----|------|
| J | - | P | LTR | DESCRIPTION | DATE | DWN | APVD |
| | | F | REVISED | | 26AUG2009 | Y.K | S.K |

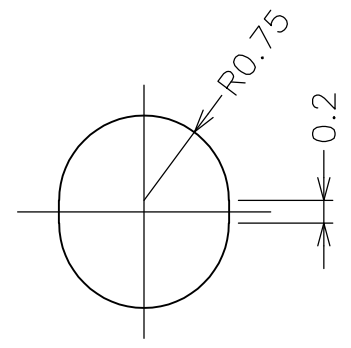
リール引出し方向
DIRECTION OFF TOP OF REEL



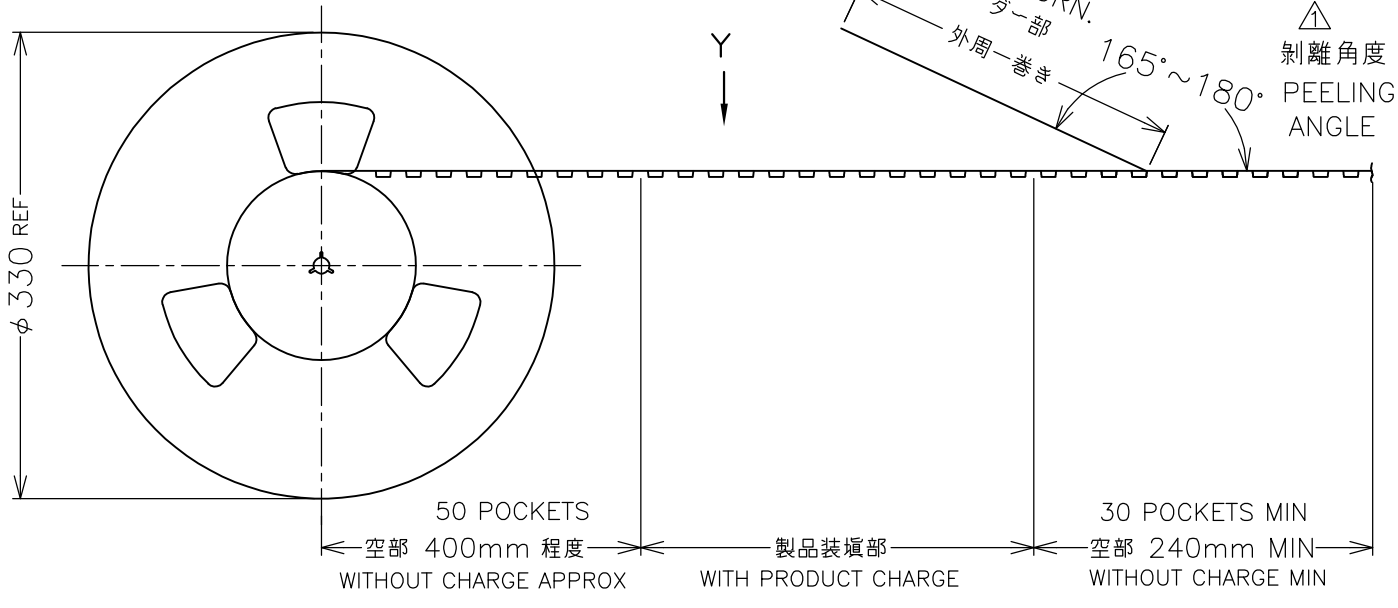
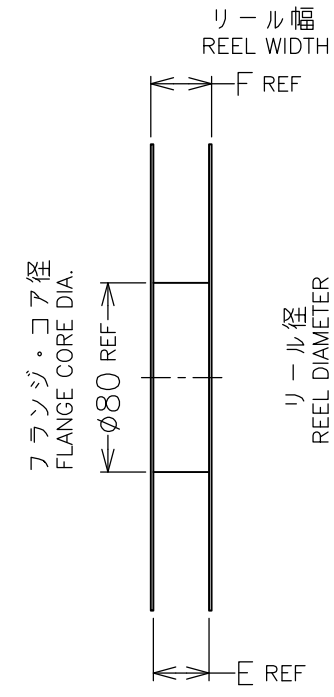
VIEW Y (NTS)
テープ幅32mm以上に適用
APPLIED TAPE WIDTH 32MM, MORE.



VIEW Y (2/1)
テープ幅12mm, 16mm, 24mmに適用
APPLIED TAPE WIDTH 12MM, 16MM AND 24MM.



DETAIL X (NTS)



△ 一般公差
 10以下: ±0.2
 10を越え 30以下: ±0.25
 30を越え 100以下: ±0.3
 角度: ±3°
 △ B寸法及び"X"詳細図は、
 テープ幅32mm以上に適用

△ GENERAL TOLERANCE
 10 ≧ : ±0.2
 30 ≧ > 10 : ±0.25
 100 ≧ > 30 : ±0.3
 ANGLES: ±3°
 △ DIM. B AND DETAIL "X" APPLIED
 TAPE WIDE, 32mm MORE.

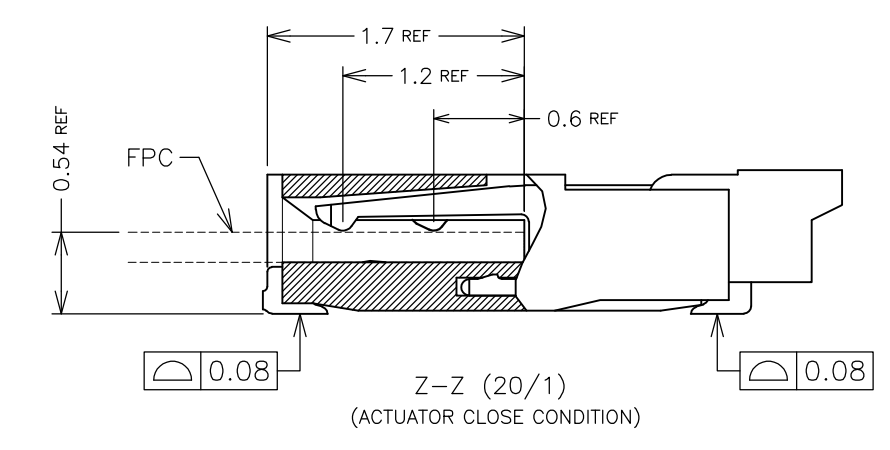
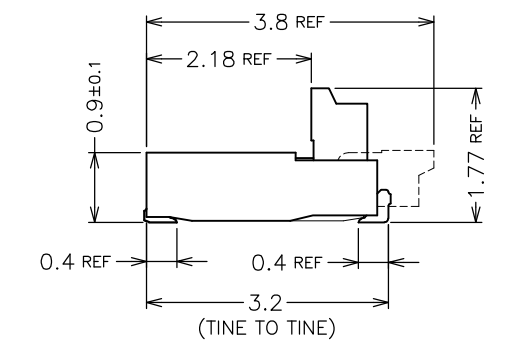
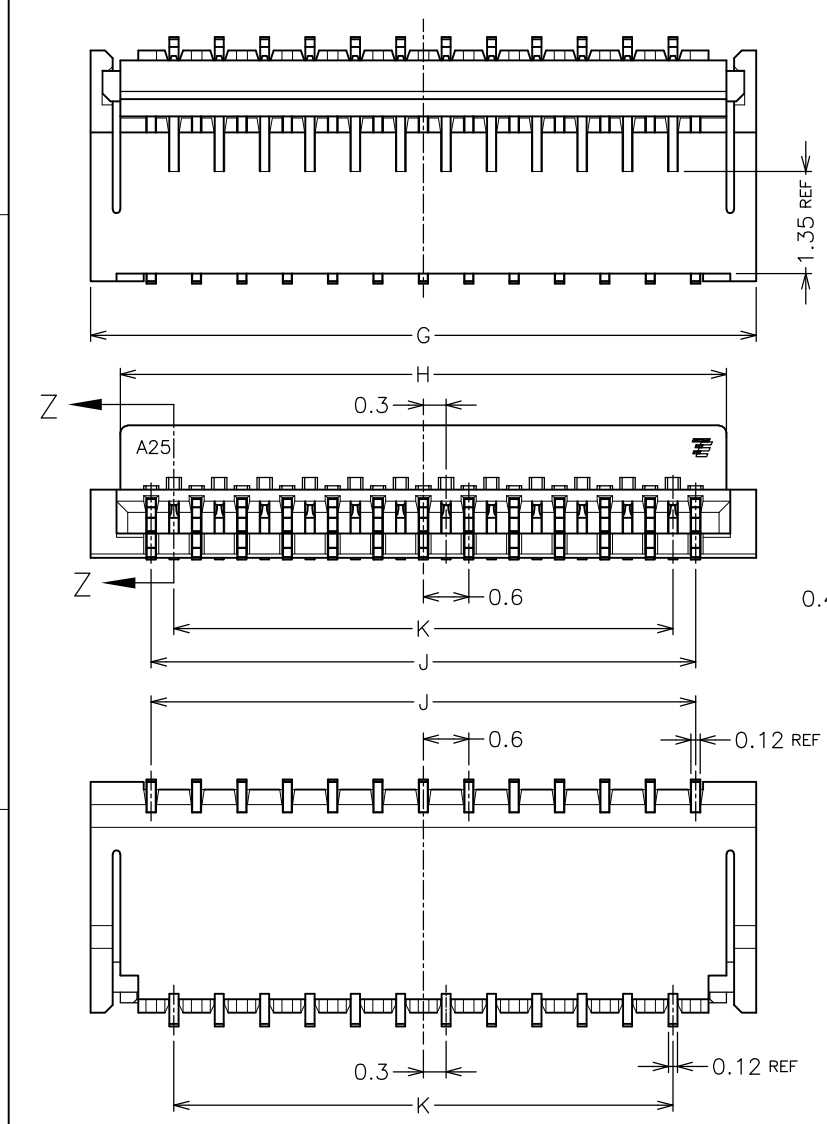
| AVAILABLE | 0.089g | 30.4 | 24.4 | 15.0 | 24 | — | 11.5 | 3000 | 45 | 1-2013928-8 |
|-----------|------------------|------------|------|------|----|---|------|-------------------|---------|---|
| AVAILABLE | 0.085g | 30.4 | 24.4 | 14.4 | 24 | — | 11.5 | 3000 | 43 | 1-2013928-7 |
| AVAILABLE | 0.081g | 30.4 | 24.4 | 13.8 | 24 | — | 11.5 | 3000 | 41 | 1-2013928-6 |
| AVAILABLE | 0.077g | 30.4 | 24.4 | 13.2 | 24 | — | 11.5 | 3000 | 39 | 1-2013928-5 |
| AVAILABLE | 0.074g | 30.4 | 24.4 | 12.6 | 24 | — | 11.5 | 3000 | 37 | 1-2013928-4 |
| AVAILABLE | 0.066g | 30.4 | 24.4 | 11.4 | 24 | — | 11.5 | 3000 | 33 | 1-2013928-2 |
| AVAILABLE | 0.052g | 22.4 | 16.4 | 9.0 | 16 | — | 7.5 | 3000 | 25 | 2013928-8 |
| STATUS | CONNECTOR WEIGHT | DIMENSIONS | | | | | | 数量(ヶ) QTY/REEL | POS.(N) | EMBOSS TAPE PACKAGING PART NUMBER |
| | | F | E | D | C | B | A | | | |

THIS DRAWING IS A CONTROLLED DOCUMENT.

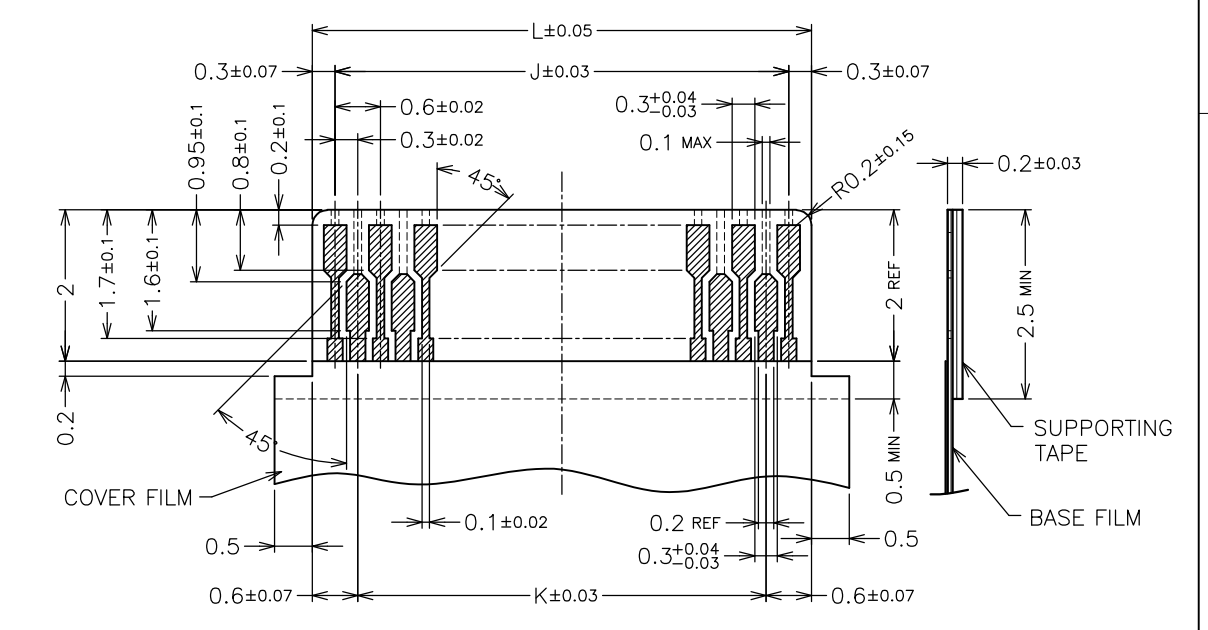
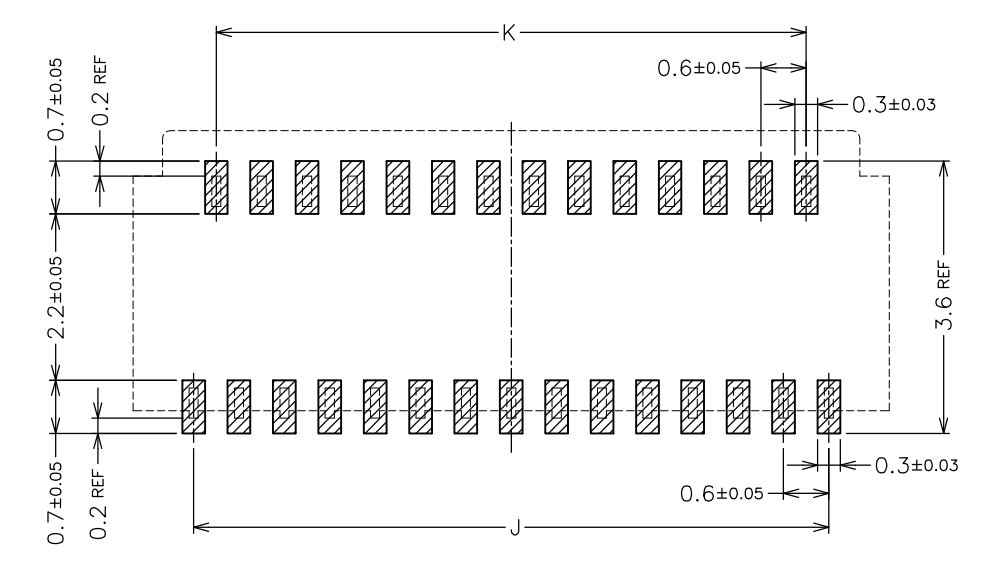
| | | | | |
|-------------------|---|--|--|--------------------|
| DIMENSIONS: mm | TOLERANCES UNLESS OTHERWISE SPECIFIED: 0 PLC ± 1 PLC ± 2 PLC ± 3 PLC ± 4 PLC ± ANGLES ± | DWN Y.KODAIRA 24MAR2008 CHK T.KUSUHARA 25MAR2008 APVD T.KUSUHARA 25MAR2008 | Tyco Electronics Corporation Kawasaki, Japan | |
| MATERIAL | FINISH | PRODUCT SPEC 108-78574 | NAME 0.3FPC Narrow BF-U 0.9mmH, 3.8mmW GOLD PLATE | |
| CUSTOMER DRAWING | | WEIGHT SEE TABLE | SIZE A3 | CAGE CODE 00779 |
| | | DRAWING NO G-2013928 | | RESTRICTED TO — |
| | | SCALE NTS | SHEET 1 OF 2 | REV F |

THIS DRAWING IS UNPUBLISHED. RELEASED FOR PUBLICATION
 © COPYRIGHT BY TYCO ELECTRONICS CORPORATION. ALL RIGHTS RESERVED.

| LOC | DIST | REVISIONS | | | |
|-----|------|-------------|------|-----|------|
| P | LTR | DESCRIPTION | DATE | DWN | APVD |
| J | — | SEE SHEET 1 | — | — | — |



- △ MATERIAL
 HOUSING : THERMO PLASTIC
 ACTUATOR : THERMO PLASTIC
 FRONT CONTACT : COPPER ALLOY
 REAR CONTACT : COPPER ALLOY
- △ FINISH
 FRONT CONTACT : GOLD OVER NICKEL PLATING
 REAR CONTACT : GOLD OVER NICKEL PLATING
- △ 材質
 ハウジング : 耐熱樹脂
 アクチュエーター : 耐熱樹脂
 フロントコンタクト : 銅合金
 リアコンタクト : 銅合金
- △ めっき
 フロントコンタクト : 金めっき (ニッケル下地めっき)
 リアコンタクト : 金めっき (ニッケル下地めっき)



| | | | | | | |
|------|------|------|-------|------|------|----------------|
| 13.8 | 12.6 | 13.2 | 14.02 | 14.8 | 45 | 1-2013928-8 |
| 13.2 | 12.0 | 12.6 | 13.42 | 14.2 | 43 | 1-2013928-7 |
| 12.6 | 11.4 | 12.0 | 12.82 | 13.6 | 41 | 1-2013928-6 |
| 12.0 | 10.8 | 11.4 | 12.22 | 13.0 | 39 | 1-2013928-5 |
| 11.4 | 10.2 | 10.8 | 11.62 | 12.4 | 37 | 1-2013928-4 |
| 10.2 | 9.0 | 9.6 | 10.42 | 11.2 | 33 | 1-2013928-2 |
| 7.8 | 6.6 | 7.2 | 8.02 | 8.8 | 25 | 2013928-8 |
| L | K | J | H | G | POS. | CONN. PART No. |

THIS DRAWING IS A CONTROLLED DOCUMENT.

| | | | | | |
|-------------------|--|------------------|--|-----------|------------|
| DIMENSIONS: mm | TOLERANCES UNLESS OTHERWISE SPECIFIED: 0 PLC ± 0.3 1 PLC ± 0.3 2 PLC ± 0.3 3 PLC ± 0.3 4 PLC ± 0.3 ANGLES ± 3° | DWN | Tyco Electronics Corporation Kawasaki, Japan | | |
| | | CHK | NAME | | |
| MATERIAL | FINISH | APVD | 0.3FPC Narrow BF-U 0.9mmH, 3.8mmW GOLD PLATE | | |
| | | PRODUCT SPEC | SIZE | CAGE CODE | DRAWING NO |
| △ | △ | APPLICATION SPEC | A3 | 00779 | G-2013928 |
| | | WEIGHT | RESTRICTED TO | | |
| CUSTOMER DRAWING | | SCALE | 10:1 | SHEET | 2 OF 2 |
| | | | | REV | F |