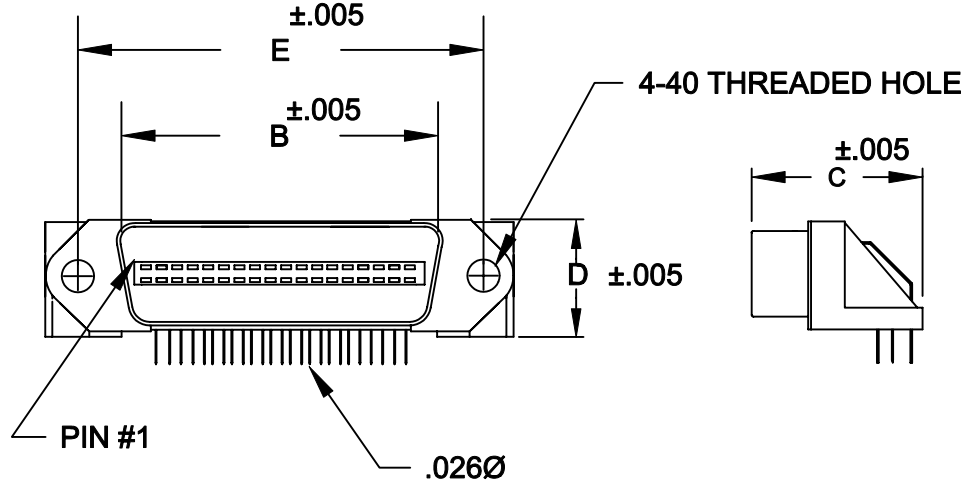
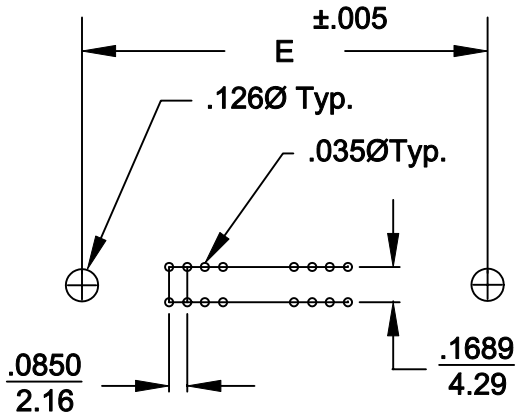
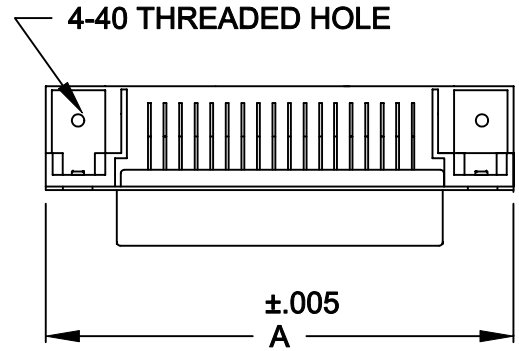


DESCRIPTION: .085" RIBBON R/A BOARD MOUNT

A B C D E

14	1.720 43.70	1.008 25.60	.984 25.00	.618 15.70	1.417 35.99
24	2.146 54.50	1.436 36.47	.984 25.00	.618 15.70	1.843 46.79
36	2.662 67.60	1.943 49.35	.984 25.00	.618 15.70	2.352 59.74
50	3.260 82.80	2.539 64.47	.984 25.00	.618 15.70	2.947 74.85



112-XXX-113R001

SERIES _____

POSITIONS _____

014

024

036

050

GENDER _____

1 = MALE

TERMINATION _____

1 = DIP SOLDER

SHELL PLATING _____

3 = NICKEL

HARDWARE OPTIONS _____

00 = 4-40 THREAD (PCB)

PLATING OPTIONS _____

01 = GOLD FLASH

MATERIALS:

INSULATOR: GLASS-FILLED THERMOPLASTIC
 UL RATED 94V-0
 CONTACTS: COPPER ALLOY
 RoHS COMPLIANT

ELECTRICALS:

CONTACT CURRENT RATING: 5 AMPS
 DIELECTRIC WITHSTANDING VOLTAGE: AC 1200 R.M.S.
 INSULATION RESISTANCE: 1000 mohms MINIMUM AT 500V DC
 CONTACT RESISTANCE: 30 mOHMS MAXIMUM
 OPERATING TEMPERATURE: -55°C TO +125°C

	THESE DRAWINGS AND SPECIFICATIONS ARE THE PROPERTY OF NorComp AND SHALL NOT BE REPRODUCED, COPIED OR USED AS THE BASIS FOR THE MANUFACTURE OF SALE OF APPARATUS WITHOUT WRITTEN PERMISSION.		DRAWN: WAYNE ROBBINS	DATE: 7-12-05
	<h1>NorComp</h1>		CHECKED:	DATE:
SCALE: 1:1			SHEET 1 OF 1	REV 1
DWG NO.			112-XXX-113R001	