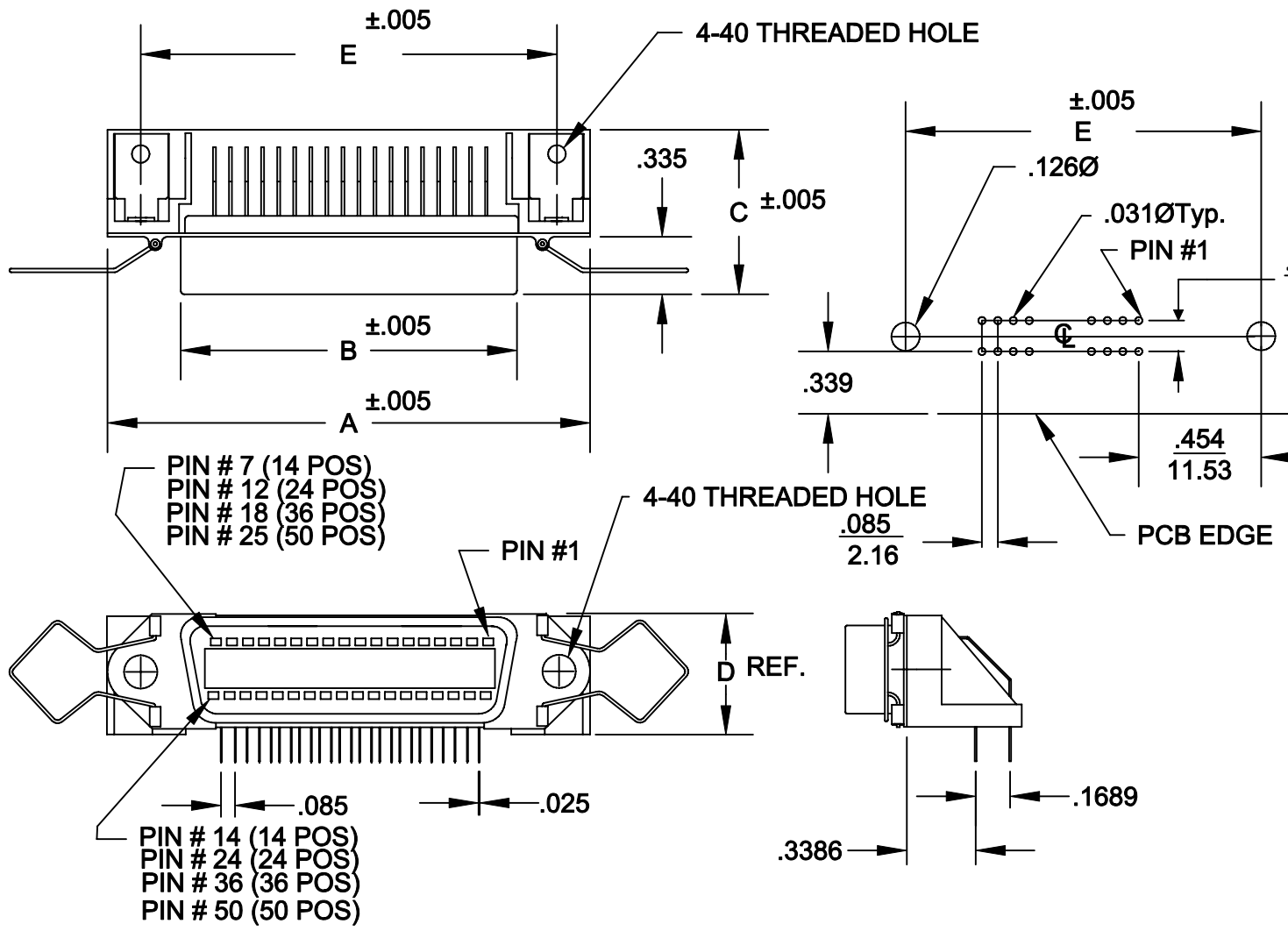


DESCRIPTION: .085" RIBBON FEMALE R/A BOARD MOUNT



| | A | B | C | D | E |
|----|-------|-------|-------|-------|-------|
| 14 | 1.721 | 1.992 | .969 | .610 | 1.417 |
| | 43.70 | 25.20 | 24.60 | 15.50 | 35.99 |
| 24 | 2.146 | 1.417 | .969 | .610 | 1.842 |
| | 54.50 | 36.00 | 24.60 | 15.50 | 46.79 |
| 36 | 2.662 | 1.925 | .969 | .610 | 2.352 |
| | 67.60 | 48.90 | 24.60 | 15.50 | 59.74 |
| 50 | 3.260 | 2.520 | .969 | .610 | 2.947 |
| | 82.80 | 64.00 | 24.60 | 15.50 | 74.85 |

112-YYY-213R001

SERIES _____

POSITIONS _____

014
024
036
050

GENDER _____

2 = FEMALE

TERMINATION _____

1 = DIP SOLDER

SHELL PLATING _____

3 = NICKEL

HARDWARE OPTIONS _____

00 = 4-40 THREAD PCB

PLATING OPTIONS _____

01 = GOLD FLASH

MATERIALS:
SHELL: STEEL, ZINC PLATED
INSULATOR: GLASSFILLED THERMOPLASTIC - UL RATED 94V-0
CONTACTS: PHOSPHOR BRONZE - GOLD FLASH PLATING

ELECTRICALS:
CONTACT CURRENT RATING: 5 AMPS
DIELECTRIC WITHSTANDING VOLTAGE: 1200AC R.M.S.
INSULATION RESISTANCE: 1000 MOHMS MINIMUM
AT 500V DC
OPERATING TEMPERATURE: -55°C TO +105°C

RoHS COMPLIANT



THESE DRAWINGS AND SPECIFICATIONS ARE THE PROPERTY OF NorComp AND SHALL NOT BE REPRODUCED, COPIED OR USED AS THE BASIS FOR THE MANUFACTURE OF SALE OF APPARATUS WITHOUT WRITTEN PERMISSION.

NorComp

| | | | |
|-------------------------|--------------|---------------|--|
| DRAWN: WAYNE ROBBINS | | DATE: 9-15-05 | |
| CHECKED: | | DATE: | |
| SCALE: 1:1 | SHEET 1 OF 1 | REV 2 | |
| DWG NO. 112-YYY-213R001 | | | |