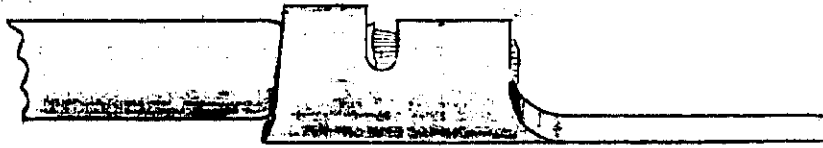
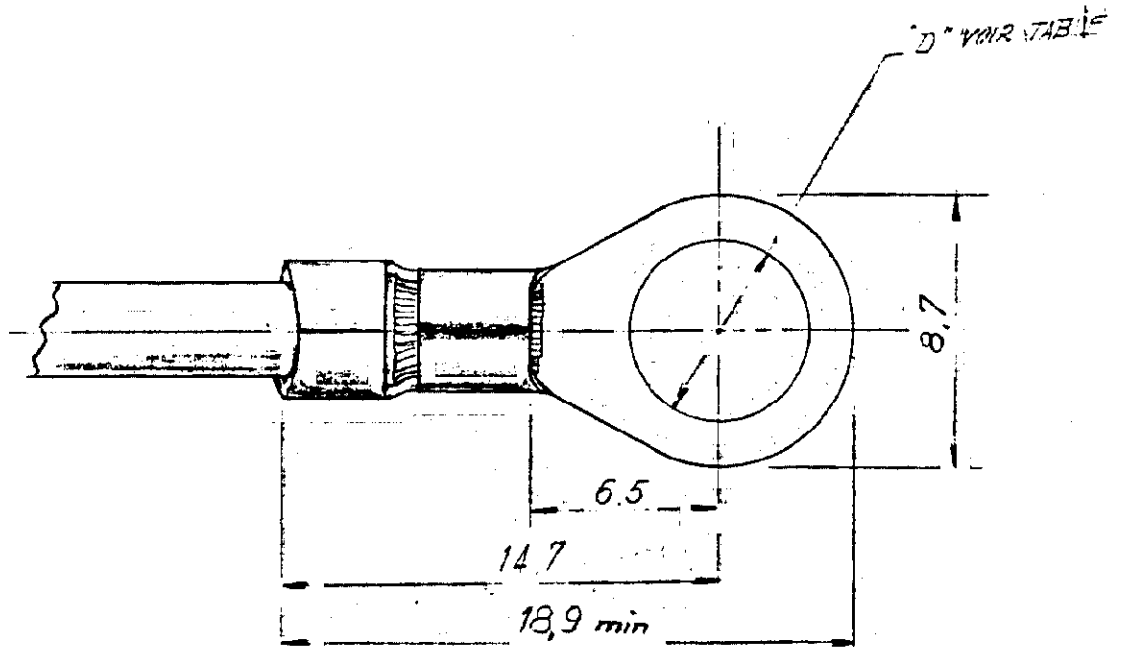


C-140 533-38-41-42

USED ON



EPAIS : 0,8

A - LAITON
A2 - LAITON BRAME

DIA.ISOLANT ADMISSIBLE : 2,54/4mm
(.100/.160)

140 542	A2	6,35
140 541	A	6,35
140 538	A2	5,18
140 537	A	5,18
140 536	A2	4,31
140 535	A	4,31
140 534	A2	3
140 533	A	3
N°3	MAT	"D"

STA	NO.	ALT.
1		
2		
3		
4		
5		
6		
7		
8		
9		
10		
11		
12		
13		
14		
15		
16		
17		
18		
19		
20		
21		

COSSE A PLAGE RONDE

CLASS W7
TYPE automatique.
WIRE SIZE 2 A 5 m.m 2

EXCEPT AS NOTED
TOLERANCES
DECIMALS ± .005
ANGLES ± 1/2°
FRACTIONS ± 1/64

SHOW PT NO. IN AREA MARKED "X"
BREAK ALL SHARP EDGES

B	REVISE 2 a 5° WAS 3 a 6°	11/04	GR	
A	REVISE	2-5-3		
REV.	REVISIONS	DATE	BY	N.D.C
DR.	Laussegat	7-2-58	D E	
CK			P.T.E	
REL				

SOCIÉTÉ AMP DE FRANCE

SCALE
4/1

NUMBER
C-140 533-38-41-42
REV B