

DO NOT SCALE

DIMENSIONS IN mm

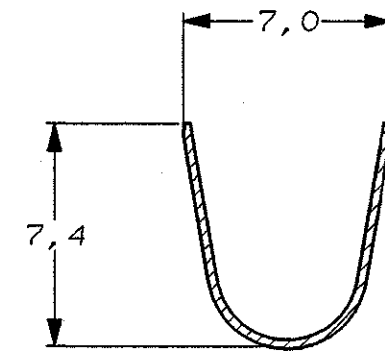
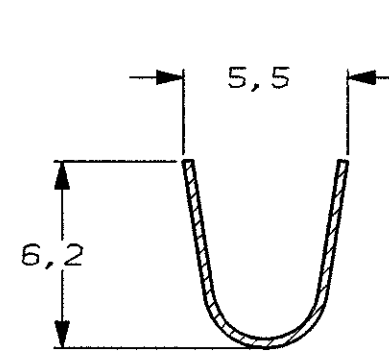
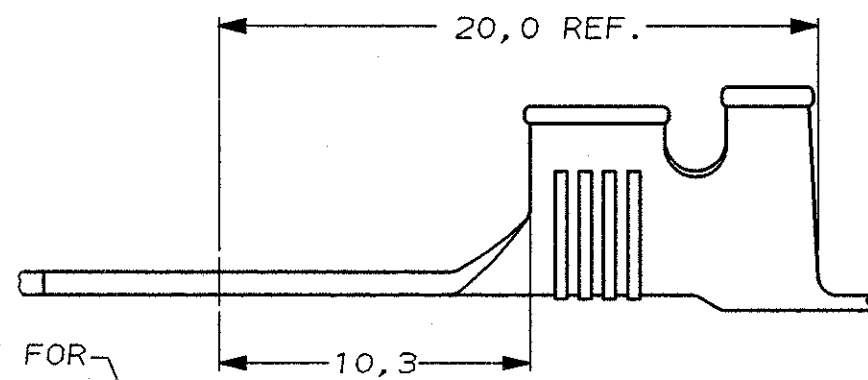
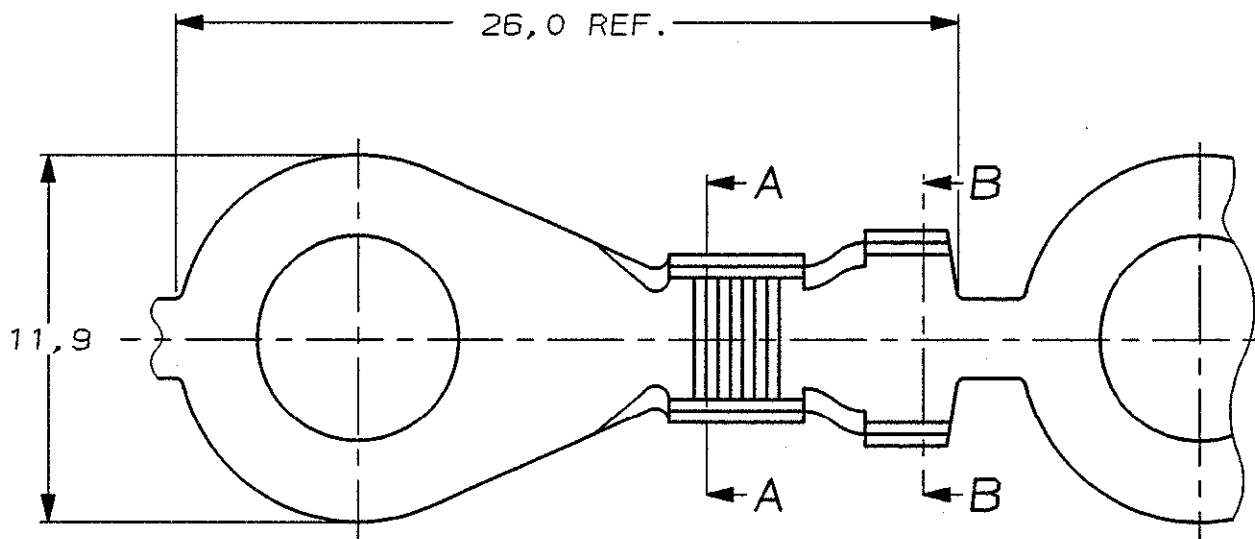
METRIC

THIRD ANGLE
PROJECTION



NOTES:

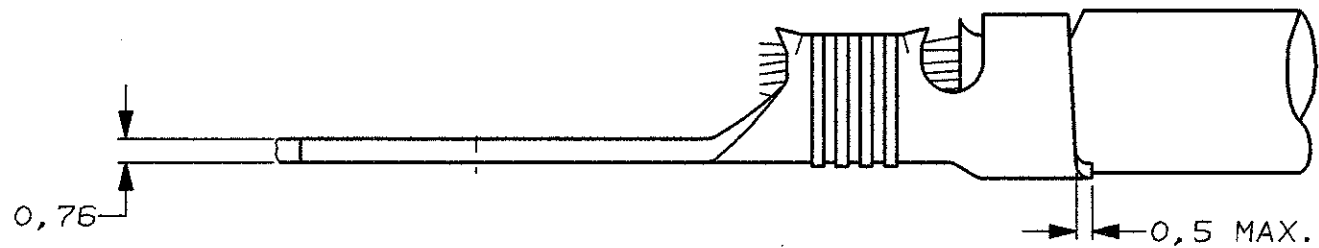
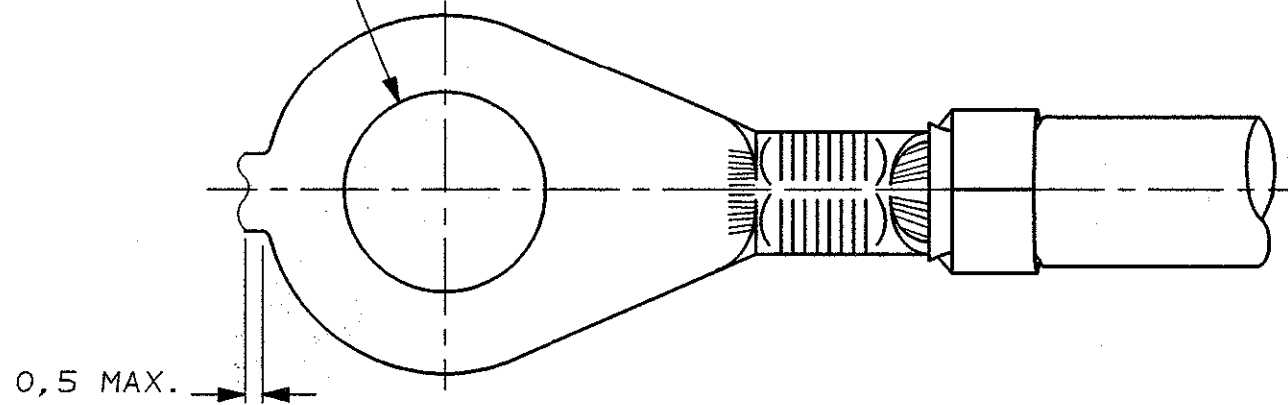
- ① FOR USE ON STANDARD AND MINIATURE APPLICATORS.
- ② FOR USE ON MINIATURE APPLICATORS. (AMP-O-MATOR APPLICATION)
- ③ REELED WITH PAPER COVER.
- ④ REELED WITH PAPER AND WITH PAPERCOVER
- ⑤ OBSOLETE PARTS: OBSOLETE CIS STREAMLINING PER D.RENAUD/D.SINISI



SECTION A-A

SECTION B-B

6,7 DIA. HOLE FOR
STUD M6.



WIRE RANGE :
3,1-5,3 mm²
INSULATION RANGE :
3,8-5,3 DIA.

- ⑤ OBSOLETE
- ⑤ OBSOLETE
- ⑤ OBSOLETE

NOTES	FINISH	MATERIAL	PARTNUMBER
①	TINPLATED	PHOSPHOR BRONZE	160181-7
③ ①	UNPLATED	PHOSPHOR BRONZE	160181-6
④ ①	UNPLATED	BRASS	160181-5
② ①	UNPLATED	BRASS	160181-4
①	UNPLATED	PHOSPHOR BRONZE	160181-3
② ①	TINPLATED	BRASS	160181-2
①	UNPLATED	BRASS	160181-1

NOTES					FINISH			MATERIAL		PARTNUMBER		
-	-	-	-	-	-	-	-	-	-	-	-	
CUSTOMER DRAWING										FOR REFERENCE ONLY WILL NOT BE UPDATED		
© COPYRIGHT 19- BY AMP HOLLAND B.V.										ALL INTERNATIONAL RIGHTS RESERVED. AMP PRODUCTS MAY BE COVERED BY U.S. AND FOREIGN AND/OR PATENTS PENDING.		
THIS DRAWING IS UNPUBLISHED										RELEASED FOR PUBLICATION		
C1	ECO-09-026346	KK	AEG	25NOV09	AMP						AMP HOLLAND B.V. s-Hertogenbosch, The Netherlands.	
C	EH-0334-94	HVD	AB	20.06.94	NAME						RING TONGUE.	
B	H-9701	JvdH	AB	14-04-92	DATE							
LTR.	REVISION RECORD			DR.	CHK.	DATE		DWG. No.		REV. LTR.	SHEET	
DR. : J.V.D.HEIJDEN.	CHK. : A.BIJNEN.	APP. : L.V.SOEST.	DATE: 20-04-83		DATE: 28-04-83	DATE: 28-04-83	C-160181		C1	1 OF 1	A3	