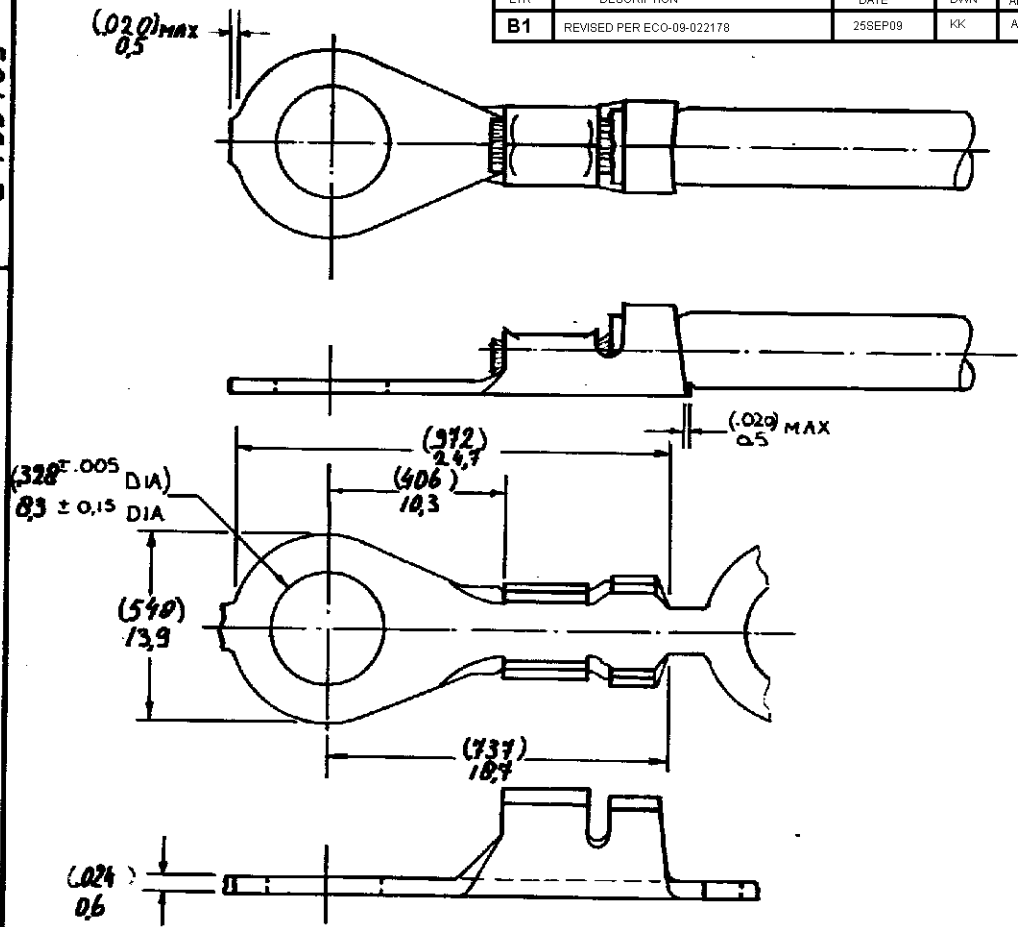


DRAWING MADE IN AMERICAN PROJECTION

REVISIONS

LTR	DESCRIPTION	DATE	DWN	APVD
B1	REVISED PER ECO-09-022178	25SEP08	KK	AEG

NUMBER C-160789



- ① REEL WITH PAPER COVER
- ② OBSOLETE PARTS: OBSOLETE CIS STREAMLINING PER D.RENAUD/D.SINISI

DIMENSIONS IN INCHES DO NOT SCALE PRINT

ORDER NO.	MATERIAL	PLATING
160789-5	PH. BRONZE	-H- ⚠
160789-4	BRASS	-H- ⚠
160789-3	PHOSPHOR BR.	-H-
160789-2	BRASS	TIN PLATED
160789-1	BRASS	-H-

CUSTOMER COPY FOR REFERENCE ONLY

©1979 BY AMP-HOLLAND N.V. ALL RIGHTS RESERVED A.M.P. PRODUCTS COVERED BY PATENTS AND/OR PATENTS PENDING.

AMP
AMP-HOLLAND N.V.
"HERTOGENBOSCH HOLLAND"

WIRE RANGE 10-25	RESUL. RANGE (.100 - .150) (.254 - .381)	FIRST USED
SCALE N.T.S.	LOC H	SIZE A
NO C-160789	REV B1	NAME RING TONGUE

CHK: KK 25/09/09