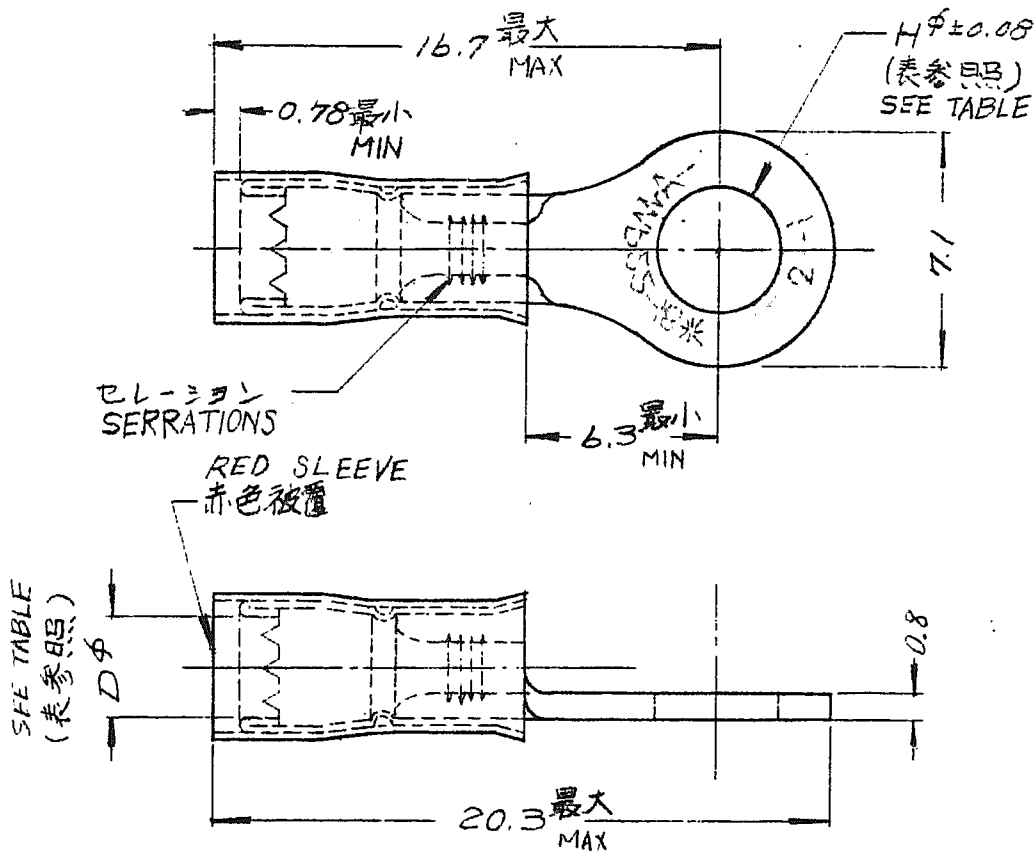


△ OBSOLETE PARTS: OBSOLETE CIS STREAMLINING PER D.RENAUD/D.SINISI

C-171508



製品番号	STUD SIZE スタッドサイズ	Hφ	INSULATION DIA 被覆外径 D	
171508 - 1	#6	3.68	2.03 ~ 3.18	
- 2	#8	4.34	2.03 ~ 3.18	
- 3	#10	5	2.03 ~ 3.18	OBSOLETE (F)
- 4	#6	3.68	2.67 ~ 3.56	
- 5	#8	4.34	2.67 ~ 3.56	
- 6	#10	5	2.67 ~ 3.56	OBSOLETE (E)
- 7	5mm	5.26	2.03 ~ 3.18	OBSOLETE (A)
- 8	5mm	5.26	2.67 ~ 3.56	
171508 - 9	#4	3.02	2.03 ~ 3.18	

単位: 寸 DIMENSIONS IN MM DO NOT SCALE PRINT

F1	ECO-10-000444	KK	AEG	08JAN 10
F	REVISED (FJ00-0680-02)	T.T	I.E	28 JUN '02
E	6 OBSOLETE (FJ00-1754-94)	Y.I	S.M	12/19 1994
D	REVISED (REV-B) (P-DWG)	K.Y	S	6/1/98
C	REVISED (REV-B) (P-DWG)	S.O	AK	1/8/97
B	ADDED MARK	H.S	AK	8/1/95
A	REVISED (REV.0) (P-DWG)	H.S	AK	7/1/95
LTR	変更 REVISION RECORD	DR	CHK.	DATE
DR.	2/6/95	DE		
CHK.	1/26/95	APP.		

NET MATERIAL: 電線銅 COPPER		tyco Tyco Electronics Corporation Kawasaki, Japan	
FINISH ANNEAL TIN PL		分組 CLASS	
WIRE RANGE: 0.26 ~ 1.04 mm (AWG 22-13)		PART TYPE: P.I.D.G	
INSULATION DIA: 表参照 SEE TABLE		JAC-171508	
TOLERANCE EXCEPT AS NOTED: ±0.4 / ±1°		REV: F1	
WIRE NAME: 丸型端子 WIRE TERMINAL ASSEMBLY			