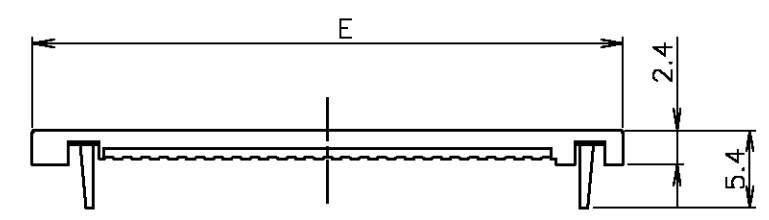
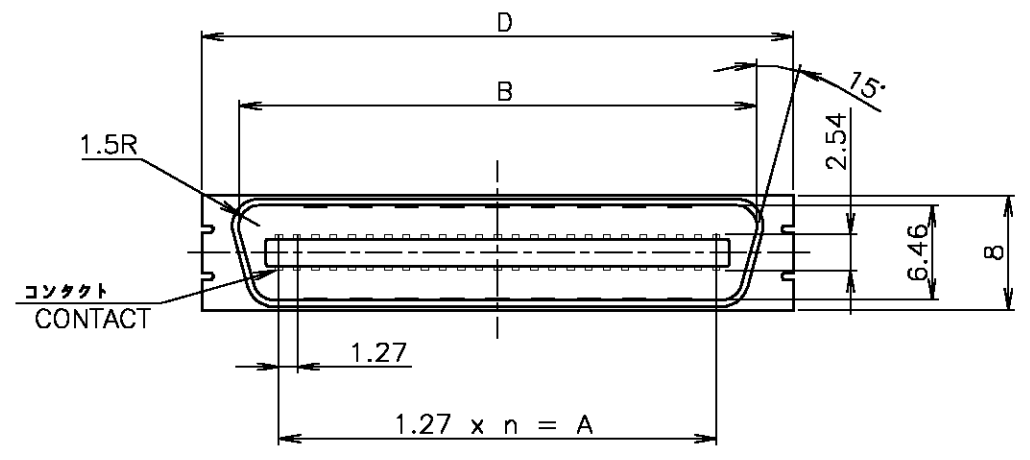
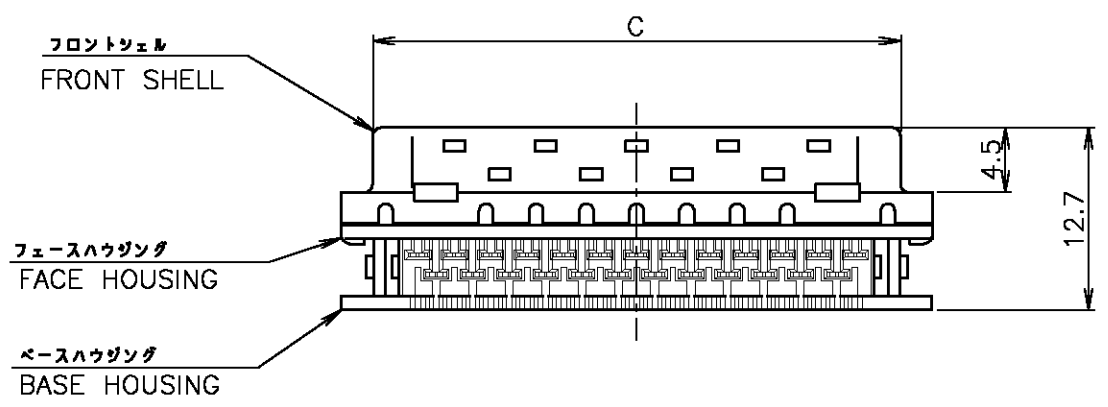
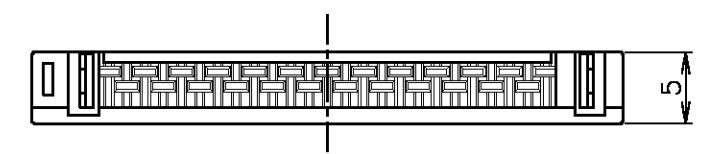


THIS DRAWING IS UNPUBLISHED. RELEASED FOR PUBLICATION
 © COPYRIGHT BY TYCO ELECTRONICS CORPORATION. ALL RIGHTS RESERVED.

| LOC | DIST | REVISIONS | | | | | |
|-----|------|-----------|-----|------------------------|---------|-----|------|
| J | | P | LTR | DESCRIPTION | DATE | DWN | APVD |
| | | L | | REVISED (FJBO-0286-03) | 12MAY03 | T.K | Y.Y |



カバーハウジング
COVER HOUSING
(2EA/KIT)



| | | | | | | | | |
|-------|-------|------|------|------|------------|----|-----|------------|
| 49.53 | 54.69 | 55.7 | 60.3 | 60.2 | 0.76 μ | 39 | 80 | 3-175677-0 |
| 62.23 | 67.45 | 68.4 | 73.0 | 72.9 | 0.76 μ | 49 | 100 | 2-175677-9 |
| 41.91 | 47.13 | 48.0 | 52.7 | 52.6 | 0.76 μ | 33 | 68 | 2-175677-8 |
| 30.48 | 35.70 | 36.6 | 41.3 | 41.2 | 0.76 μ | 24 | 50 | 2-175677-7 |
| 21.59 | 26.81 | 27.7 | 32.4 | 32.3 | 0.76 μ | 17 | 36 | 2-175677-5 |
| 15.24 | 20.46 | 21.4 | 26.0 | 25.9 | 0.76 μ | 12 | 26 | 2-175677-4 |
| 11.43 | 16.65 | 17.6 | 22.2 | 22.1 | 0.76 μ | 9 | 20 | 2-175677-2 |
| 7.62 | 12.84 | 13.7 | 18.4 | 18.3 | 0.76 μ | 6 | 14 | 2-175677-1 |
| 49.53 | 54.69 | 55.7 | 60.3 | 60.2 | 0.3 μ | 39 | 80 | 1-175677-0 |
| 62.23 | 67.45 | 68.4 | 73.0 | 72.9 | 0.3 μ | 49 | 100 | 175677-9 |
| 41.91 | 47.13 | 48.0 | 52.7 | 52.6 | 0.3 μ | 33 | 68 | 175677-8 |
| 30.48 | 35.70 | 36.6 | 41.3 | 41.2 | 0.3 μ | 24 | 50 | 175677-7 |
| 21.59 | 26.81 | 27.7 | 32.4 | 32.3 | 0.3 μ | 17 | 36 | 175677-5 |
| 15.24 | 20.46 | 21.4 | 26.0 | 25.9 | 0.3 μ | 12 | 26 | 175677-4 |
| 11.43 | 16.65 | 17.6 | 22.2 | 22.1 | 0.3 μ | 9 | 20 | 175677-2 |
| 7.62 | 12.84 | 13.7 | 18.4 | 18.3 | 0.3 μ | 6 | 14 | 175677-1 |
| A | B | C | D | E | Au.PLATING | n | POS | PART No. |

- 注記
- 材料及び表面仕上げ。
 *CONTACT: リン青銅, Ni 下地メッキに接触部
 Au メッキ0.3 μm, 0.76 μm 以上, 圧覆部すずめっき
 *フロントシェル: 鋼, Niメッキ
 *ハウジング(ベース, フェース, カバー)
 熱可塑性樹脂 ガラス入り, UL 94V-0, 色; 黒
 ガラス入り, UL 94V-0, 色; 黒。
 - 使用電線は タイコエレクトロニクスアンプ(株) 技術部門へ御確認をお願いします。
- NOTE
- MATERIAL & FINISH
 *CONTACT; COPPER ALLOY Au PL.0.3 AND 0.76 MIN. AT CONTACT AREA AND TIN PL. AT I.D. AREA OVER Ni PL.
 *FRONT SHELL; STEEL, Ni PL.
 *HOUSING(BASE,FACE,COVER);
 THERMO-PLASTIC,GF,UL 94V-0. BLACK
 - APPLICABLE WIRE; PLEASE CONFIRM TO TYCO ENGINEERING.

TOLERANCES UNLESS OTHERWISE SPECIFIED
— 公差

| | |
|--------|------------|
| 10 ≧ | ±0.2 |
| 30 ≧ | > 10 ±0.25 |
| 100 ≧ | > 30 ±0.3 |
| ANGLES | ±3° |

| | |
|-------------------|----------------|
| WIRE RANGE | INSULATION DIA |
| 7/0.127mm(AWG#28) | 0.5~0.7 mmφ |

THIS DRAWING IS A CONTROLLED DOCUMENT.

| | |
|----------------|--|
| DIMENSIONS: MM | TOLERANCES UNLESS OTHERWISE SPECIFIED: |
| | 0 PLC ± |
| | 1 PLC ± |
| | 2 PLC ± |
| | 3 PLC ± |
| | 4 PLC ± |
| | ANGLES ± |
| MATERIAL | FINISH |
| SEE NOTES | SEE NOTES |

THIS DRAWING IS A CONTROLLED DOCUMENT.

| | | | | | |
|------------------|---------|----------------------------|---------------------------|------------|---------------|
| DWN | 29JUN89 | tyco Electronics | Tyco Electronics AMP K.K. | | |
| CHK | 07SEP89 | | Kawasaki, Japan | | |
| APVD | 11SEP89 | | NAME | | |
| PRODUCT SPEC | | | CHAMP .050 PLUG CONN. KIT | | |
| APPLICATION SPEC | | SIZE | CAGE CODE | DRAWING NO | RESTRICTED TO |
| WEIGHT | | A3 | 00779 | 175677 | — |
| CUSTOMER DRAWING | | SCALE | SHEET | REV | |
| | | 2:1 | 1 OF 1 | L | |