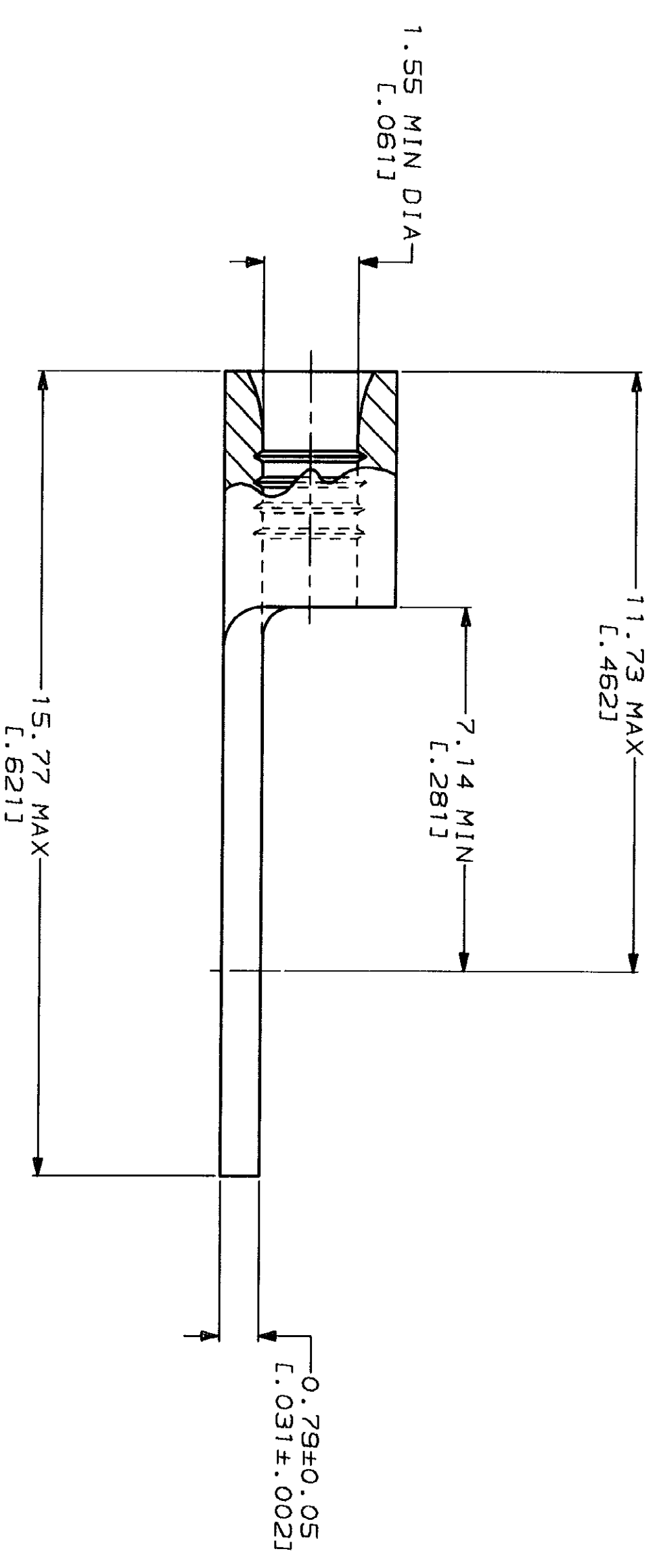
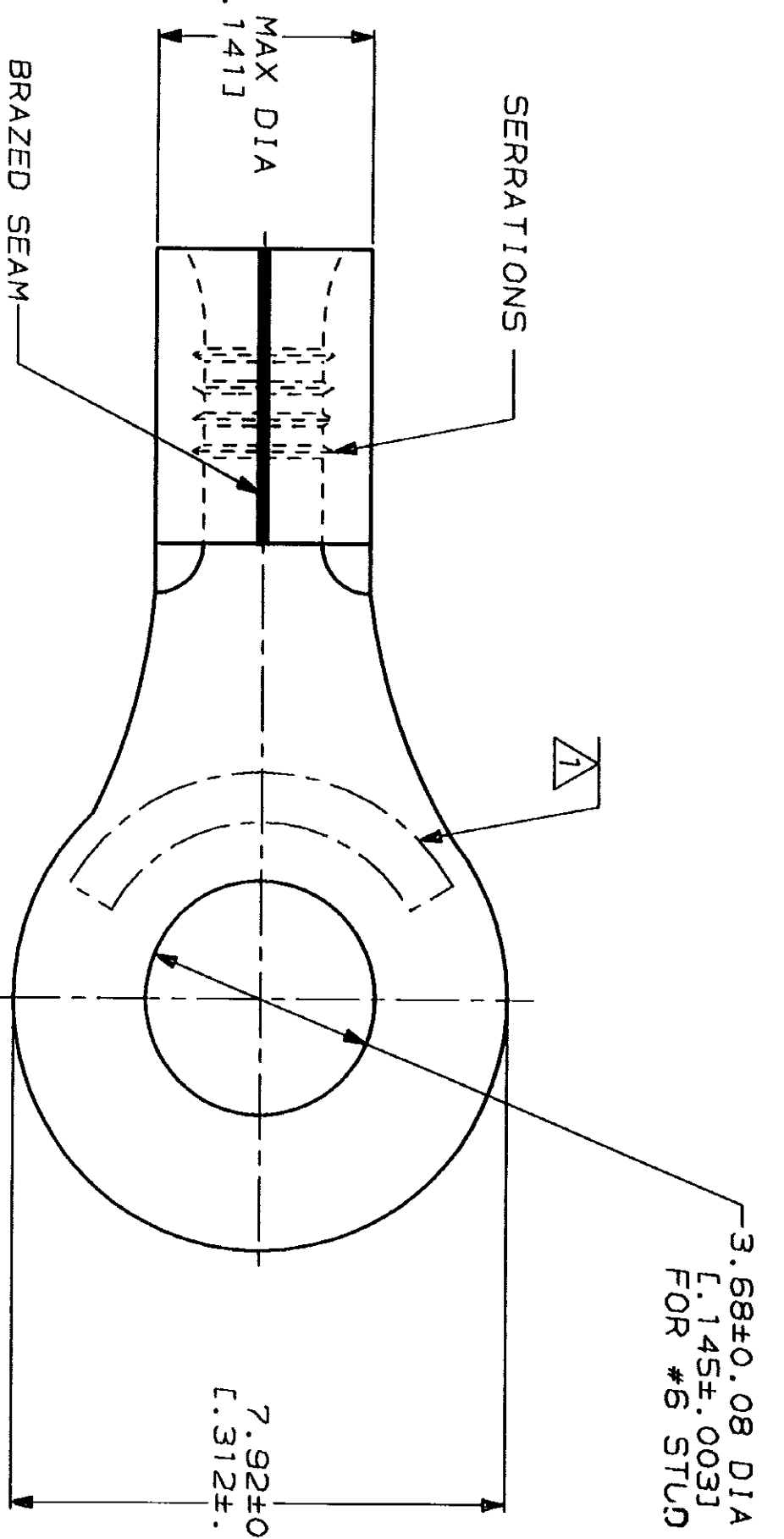
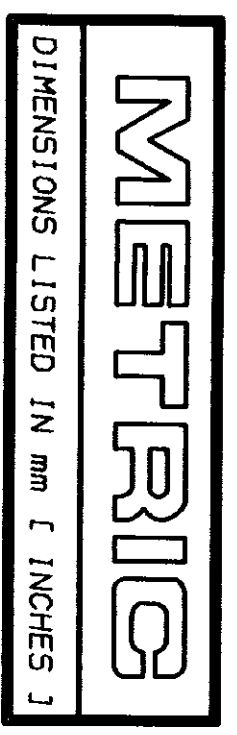


LOC	DIST	REV	DESCRIPTION	DATE	APP'D
G	14	F	REV, RDRW, & SM PKG PER 0720-0040-93	3-10-93	1 st DAP



AMP WIRE RANGE	UL E13288 Listed
22-16 AWG SOLID OR STRANDED	22-16 AWG SOLID OR STRANDED
LR7189 Certified	MILITARY P/N AND CLASS
22-16 AWG SOLID OR STRANDED	M7928/7-3 CLASS 2 P/N 34110 & 2-34110-3 ONLY

STAMP AMP 22-18* APPROX AS SHOWN
22-16 TERMINALS ARE STAMPED 22-18 IN
ACCORDANCE WITH MILITARY SPECIFICATION
MIL-T-7928, COMMERCIAL WIRE RANGE IS 22-16

QUANTITY	PACKAGE TYPE	PART NO
100	LOOSE PIECE, BOX	8-34110-1
5000	ON TAPE	2-34110-3
---	LOOSE PIECE	34110

AMP INCORPORATED
CUSTOMER SERVICE SYSTEMS

FOR ADDITIONAL PRODUCT INFORMATION OR COPIES OF DRAWINGS AND TECHNICAL DOCUMENTS
1-800-522-6752

FOR APPLICATION TOOLING INFORMATION
1-800-722-1111

FOR ORDER ENTRY
1-800-526-5142

PRODUCT INFORMATION CENTER
TOOLING ASSISTANCE CENTER

MAX RECOMMENDED OPERATING TEMPERATURE:
170°C MAX

VOLTAGE RATING:
NOT APPLICABLE

WIRE CROSS SECTIONAL AREA RANGE:
0.26-1.65mm² [509-3,260] CIR MILS
SOLID OR STRANDED

DO NOT SCALE PRINT. UNLESS SPECIFIED DIMENSIONS IN mm - FINISH TOLERANCES ON:
2 PLC DEC ±
3 PLC DEC ±
ANGLES ±

MATERIAL
COPPER PER ASTM B-152 ANNEALED

FINISH
TIN PLATE
0.00254 [0.00100] MIN THK PER MIL-T-10727

DR 3-10-93 TA BRINKMAN	APPD 3-10-93 DE MILLER	NAME AMP AMP Incorporated Harrisburg, PA 17105-3608
CHK 3-10-93 DA PATTERSON	APPD 3-10-93 JL MECKLEY	TERMINAL, RING TONGUE, SOLI STRAND™
APPD 3-10-93 DE MILLER	PRODUCT SPEC	SCALE 10:1
APPD 3-10-93 JL MECKLEY	APPLICATION SPEC	DRAWING NO 34110
WEIGHT		SHEET 1 OF 1