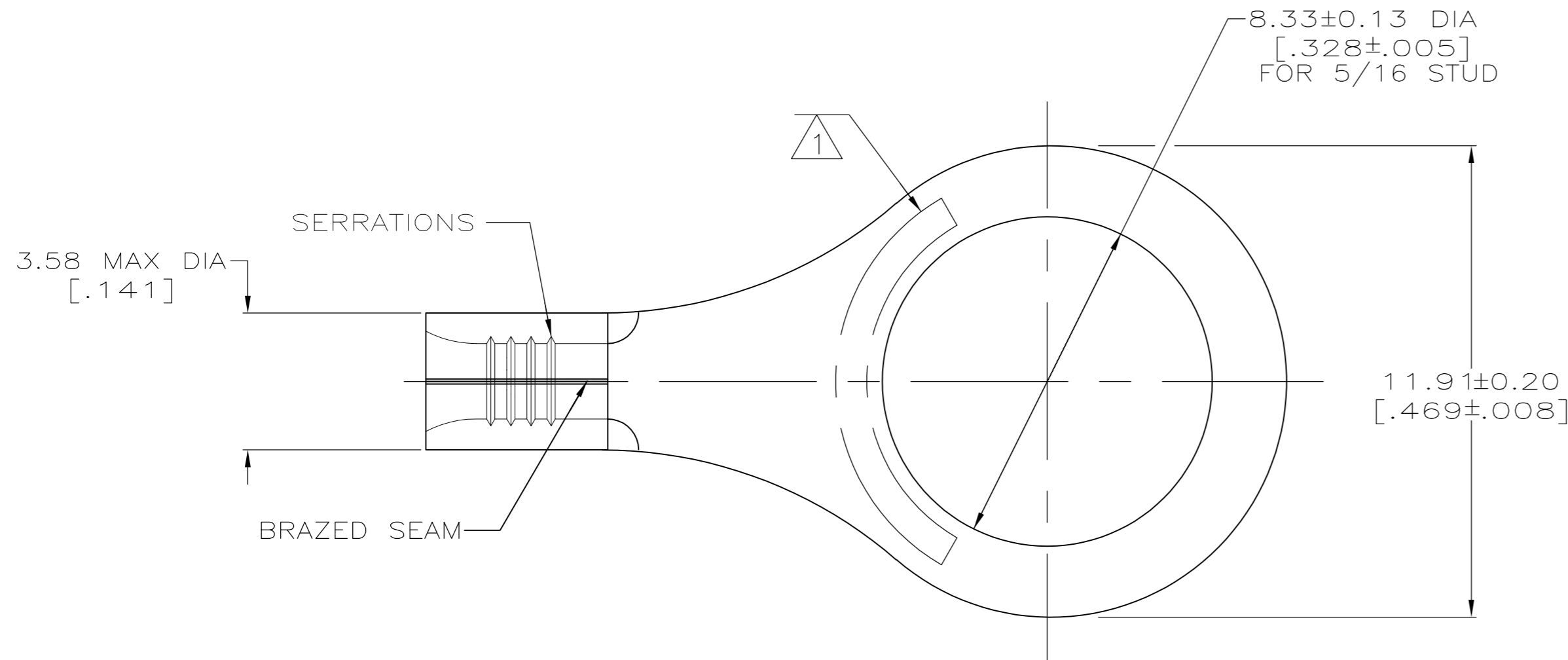


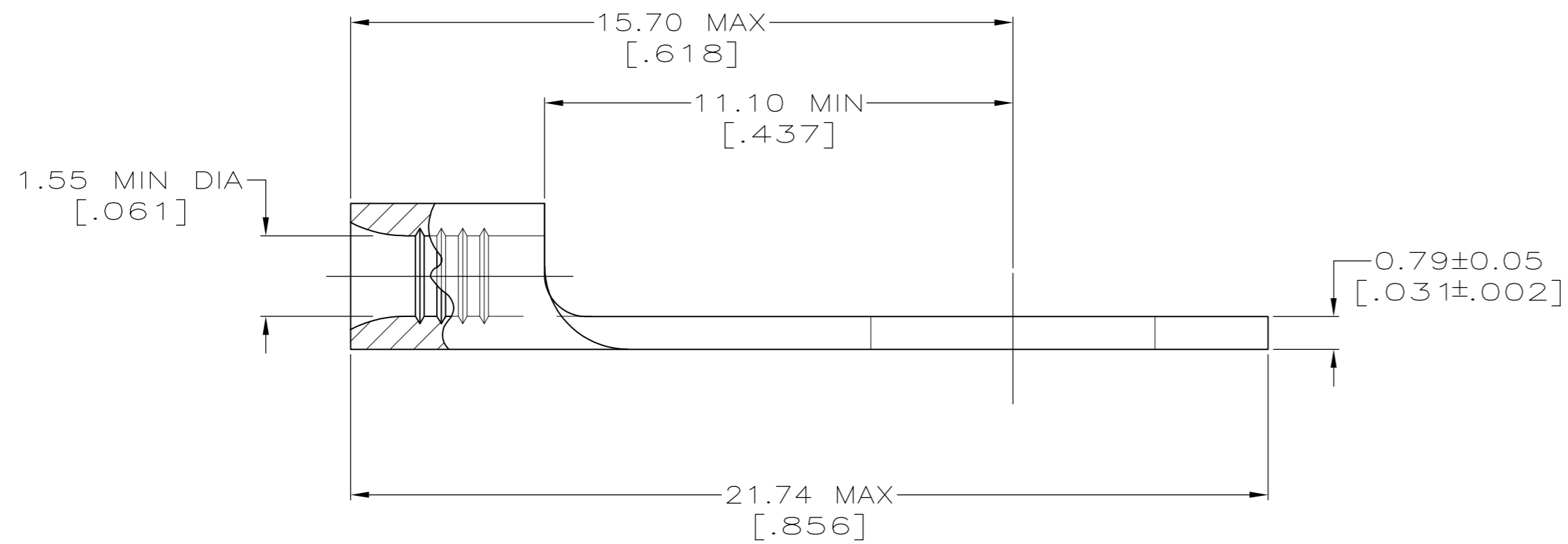
THIS DRAWING IS UNPUBLISHED. RELEASED FOR PUBLICATION
 © COPYRIGHT BY TYCO ELECTRONICS CORPORATION. ALL RIGHTS RESERVED.

LOC		DIST		REVISIONS			
P	LTR	DESCRIPTION		DATE	DWN	APVD	
G	14	C2	REV PER ECR 08-002142	24JAN08	JR	MS	



AMP WIRE RANGE	Listed FILE E13288	LR7189 Certified	MILITARY P/N AND CLASS
22-16 AWG SOLID OR STRANDED	22-16 AWG SOLID OR STRANDED	22-16 AWG SOLID OR STRANDED	M7928/7-5 CLASS 2 P/N 31114 AND 2-31114-2 ONLY

- 1 STAMP AMP 22-18* APPROX AS SHOWN
22-16 TERMINALS ARE STAMPED 22-18 IN
ACCORDANCE WITH MILITARY SPEC MIL-T-7928
COMMERCIAL WIRE RANGE IS 22-16
- 2 TIN PLATE 0.00254[.000100] MIN THK
PER MIL-T-10727
- 3 GOLD PLATE 0.00127[.000050] MIN THK
PER MIL-G-45204 OVER NICKEL PLATE
0.00076[.000030] MIN THK PER QQ-N-290
- 4 CLEANED, UNPLATED
- 5 NICKEL PLATED 0.00762 [.000300] MIN THK PER QQ-N-290.
- 6 PRELIMINARY - NOT FOR PRODUCTION



QTY	MAX TEMP.	PACKAGE TYPE	FINISH	PART NUMBER
100	170°C MAX	LOOSE PIECE, BOX	2	8-34114-1
5000	170°C MAX	ON TAPE	2	2-34114-2
-	343°C MAX	LOOSE PIECE	5	6 34114-4
-	170°C MAX	LOOSE PIECE	4	6 34114-3
-	170°C MAX	LOOSE PIECE	3	34114-1
-	170°C MAX	LOOSE PIECE	2	34114

AMP INCORPORATED CUSTOMER SERVICE SYSTEMS		MAX RECOMMENDED OPERATING TEMPERATURE: SEE TABLE	THIS DRAWING IS A CONTROLLED DOCUMENT.		DWN TA BRINKMAN 3-10-93	Tyco Electronics Corporation Harrisburg, PA 17105-3608
FOR ADDITIONAL PRODUCT INFORMATION OR COPIES OF DRAWINGS AND TECHNICAL DOCUMENTS	PRODUCT INFORMATION CENTER 1-800-522-6752	VOLTAGE RATING: N/A	DIMENSIONS: MM [INCHES]	TOLERANCES UNLESS OTHERWISE SPECIFIED:	CHK DA PATTERSON 3-10-93	
FOR APPLICATION TOOLING INFORMATION	TOOLING ASSISTANCE CENTER 1-800-722-1111	CIRCULAR MIL AREA: 0.26-1.65mm ² [509-3260] CIR MILS SOLID OR STRANDED		0 PLC ± - 1 PLC ± - 2 PLC ± 0.20 [.008] 3 PLC ± - 4 PLC ± - ANGLES ± -	APVD DE MILLER 3-10-93	NAME TERMINAL, RING TONGUE, SOLISTRAND
FOR ORDER ENTRY	1-800-526-5142	THIS DRAWING IS A CONTROLLED DOCUMENT FOR AMP INCORPORATED. IT IS SUBJECT TO CHANGE AND THE CONTROLLING ENGINEERING ORGANIZATION SHOULD BE CONTACTED FOR THE LATEST REVISION.	MATERIAL COPPER PER ASTM B152 ANNEALED	FINISH SEE TABLE	APPLICATION SPEC	SIZE A2
				CUSTOMER DRAWING	WEIGHT -	CAGE CODE 00779
				SCALE 8:1	DRAWING NO C-34114	RESTRICTED TO -
				SHEET 1 of 1	REV C2	