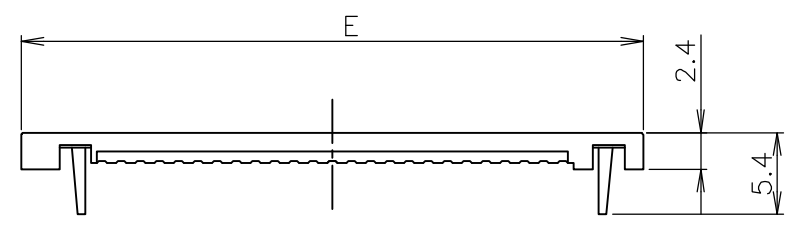
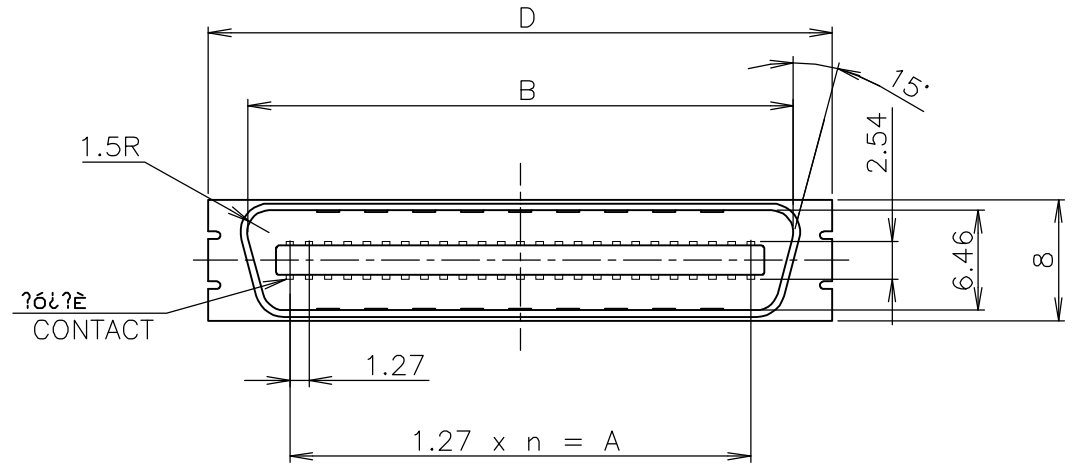
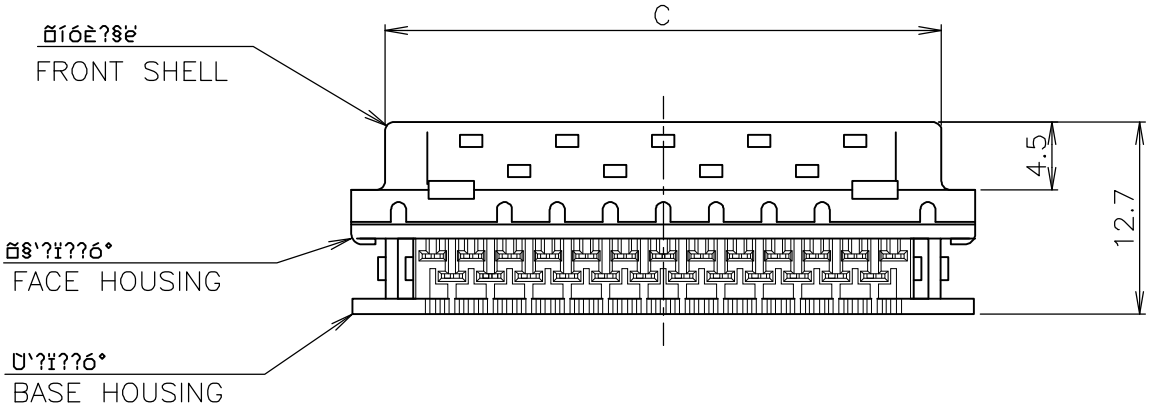
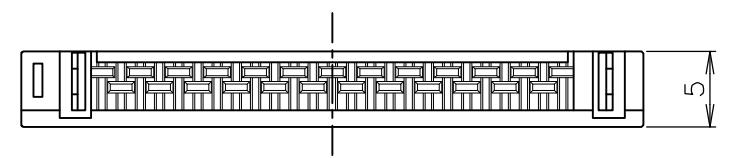


THIS DRAWING IS UNPUBLISHED. RELEASED FOR PUBLICATION  
 © COPYRIGHT BY TYCO ELECTRONICS CORPORATION. ALL RIGHTS RESERVED.

LOC	DIST	REVISIONS					
		P	LTR	DESCRIPTION	DATE	DWN	APVD
J		A		RELEASE ECR-05-001941	19MAY03	C.W	I.E



COVER HOUSING  
(2EA/KIT)



49.53	54.69	55.7	60.3	60.2	0.76u	39	80	3-5175677-0
62.23	67.45	68.4	73.0	72.9	0.76u	49	100	2-5175677-9
41.91	47.13	48.0	52.7	52.6	0.76u	33	68	2-5175677-8
30.48	35.70	36.6	41.3	41.2	0.76u	24	50	2-5175677-7
21.59	26.81	27.7	32.4	32.3	0.76u	17	36	2-5175677-5
15.24	20.46	21.4	26.0	25.9	0.76u	12	26	2-5175677-4
11.43	16.65	17.6	22.2	22.1	0.76u	9	20	2-5175677-2
7.62	12.84	13.7	18.4	18.3	0.76u	6	14	2-5175677-1
49.53	54.69	55.7	60.3	60.2	0.3 u	39	80	1-5175677-0
62.23	67.45	68.4	73.0	72.9	0.3 u	49	100	5175677-9
41.91	47.13	48.0	52.7	52.6	0.3 u	33	68	5175677-8
30.48	35.70	36.6	41.3	41.2	0.3 u	24	50	5175677-7
21.59	26.81	27.7	32.4	32.3	0.3 u	17	36	5175677-5
15.24	20.46	21.4	26.0	25.9	0.3 u	12	26	5175677-4
11.43	16.65	17.6	22.2	22.1	0.3 u	9	20	5175677-2
7.62	12.84	13.7	18.4	18.3	0.3 u	6	14	5175677-1
A	B	C	D	E	Au.PLATING	n	POS	PART No.

- NOTE
- MATERIAL & FINISH
    - \*CONTACT; COPPER ALLOY Au PL.0.3 AND 0.76 MIN. AT CONTACT AREA AND TIN PL. AT I.D. AREA OVER Ni PL.
    - \*FRONT SHELL; STEEL, Ni PL.
    - \*HOUSING(BASE,FACE,COVER); THERMO-PLASTIC,GF,UL 94V-0. BLACK
  - APPLICABLE WIRE; PLEASE CONFIRM TO TYCO ENGINEERING.

TOLERANCES UNLESS OTHERWISE SPECIFIED  
一般公差

10 ≧	±0.2
30 ≧	>10 ±0.25
100 ≧	>30 ±0.3
ANGLES ±3°	

THIS DRAWING IS A CONTROLLED DOCUMENT.

DWN COREL.WANG 19APR05	Tyco Electronics AMP K.K. Kawasaki, Japan
CHK STEVEN YAO 19APR05	
APVD I.ENOMOTO 19APR05	
NAME	
PRODUCT SPEC	
APPLICATION SPEC	
WEIGHT	
CUSTOMER DRAWING	

CHAMP .050 PLUG CONN. KIT

SIZE A3	CAGE CODE 00779	DRAWING NO C-5175677	RESTRICTED TO -
SCALE 2:1	SHEET 1	OF 1	REV A

WIRE RANGE 7/0.127mm(AWG#28)	INSULATION DIA 0.5~0.7 mmφ
---------------------------------	-------------------------------