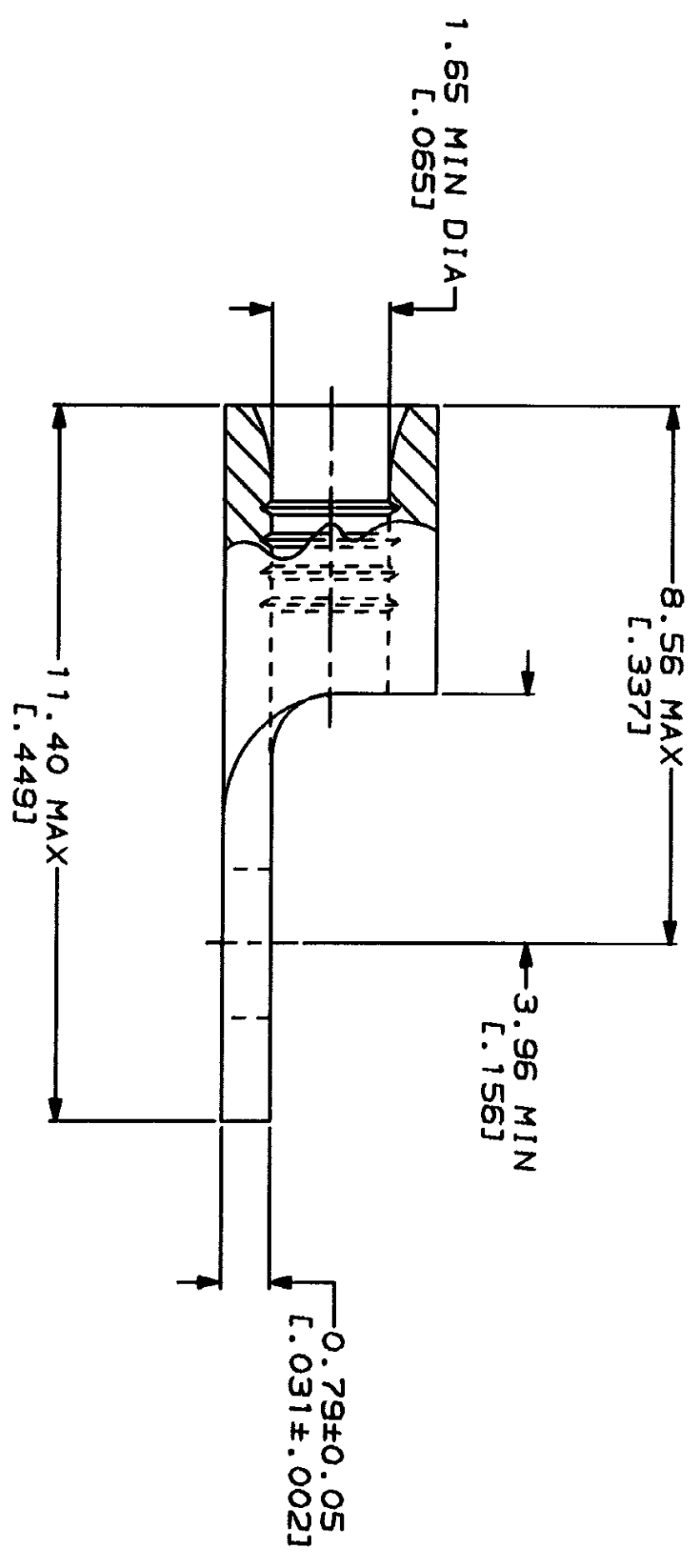
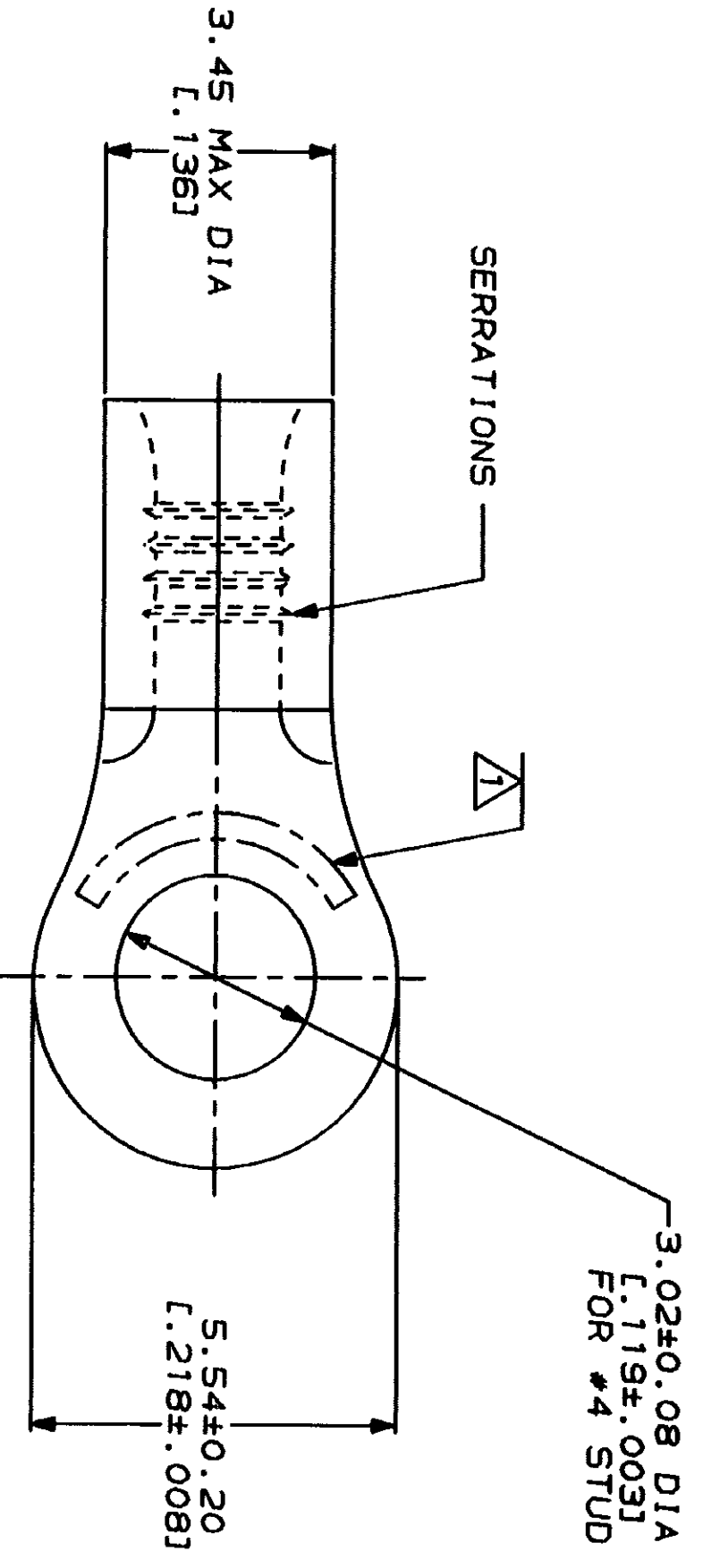


LOC	DIST	ZONE	LTR	DESCRIPTION	DATE	APPD
G	14			REVISED PER 0720-0230-93	2/28/94	AMP

METPRIG
DIMENSIONS LISTED IN mm [INCHES]

AMP WIRE RANGE 22-16 AWG STRAINED	UL E13298 Listed
LR7189 Certified	MILITARY P/N AND CLASS
NOT CERTIFIED	NOT APPLICABLE

△ STAMP AMP 22-18* APPROX AS SHOWN
22-16 TERMINALS ARE STAMPED 22-18 IN
ACCORDANCE WITH MILITARY SPECIFICATION
MIL-T-7928, COMMERCIAL WIRE RANGE IS 22-16



AMP INCORPORATED
CUSTOMER SERVICE SYSTEMS

FOR ADDITIONAL
PRODUCT INFORMATION OR
COPIES OF DRAWINGS
AND TECHNICAL DOCUMENTS
1-800-522-6752

FOR APPLICATION
TOOLING INFORMATION
1-800-722-1111

FOR ORDER ENTRY
1-800-526-5142

MAX RECOMMENDED OPERATING
TEMPERATURE:
170°C MAX

VOLTAGE RATING:
NOT APPLICABLE

WIRE CROSS SECTIONAL AREA RANGE:
0.26-1.65mm² (S09-3,260) CIR MILS
STRANDED

DO NOT SCALE PRINT.
UNLESS SPECIFIED
DIMENSIONS IN MILLIMETERS
TOLERANCES ON:
2 PLG DEC ± .1
3 PLG DEC ± .1
ANGLES ± .1

MATERIAL
COPPER PER
ASTM B-152
ANNEALED

FINISH
TIN PLATE
0.00254[L.000100] MIN
THK PER MIL-T-10727

DR 3-2-93 TA BRINKMAN	NAME AMP AMP Incorporated Harrisburg, PA 17105-3608
CHK 3-2-93 DA PATTERSON	TERMINAL, RING TONGUE, BUDGET
APPD 3-2-93 DE MILLER	
APPD 3-2-93 JL HECKLEY	
PRODUCT SPEC	
APPLICATION SPEC	
WEIGHT	

5000	ON TAPE	3-31089-6
---	LOOSE PIECE	31089
QUANTITY	PACKAGE TYPE	PART NO

SIZE	CAGE CODE	DRAWING NO
SCALE 10:1	00779	31089
		SHEET 1 OF 1