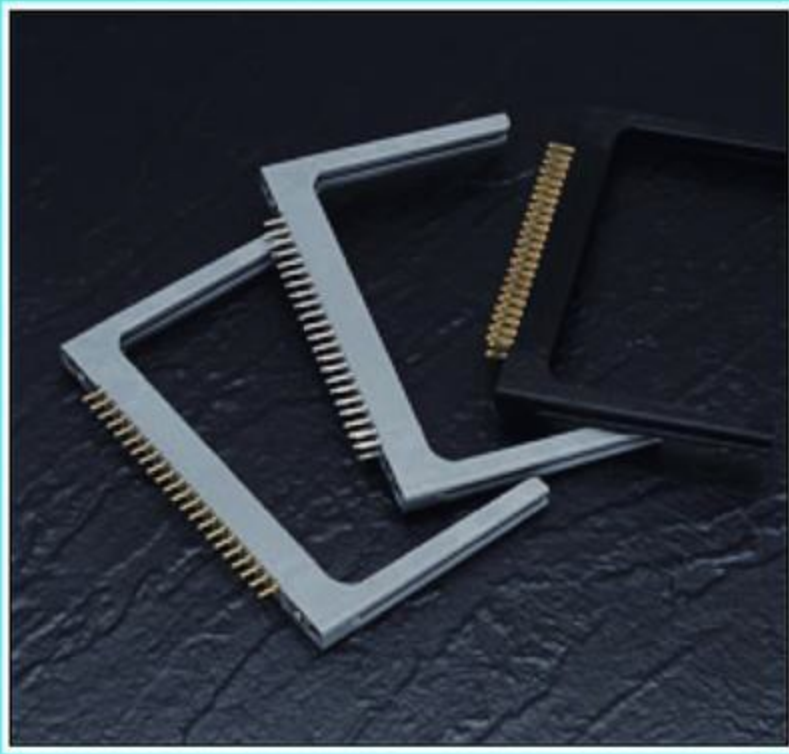


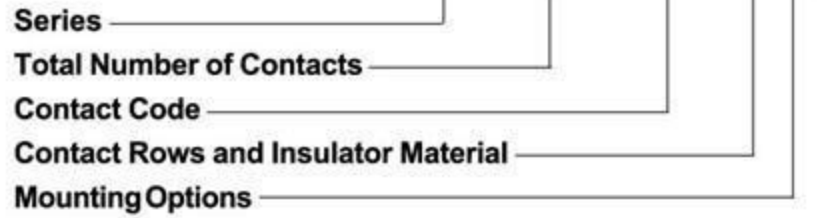
# 322 SERIES CARD EDGE CONNECTOR

.156" (3.96mm) Contact Spacing



## 322 SERIES ORDERING CODE

Example Part Number **322 - 044 - 500 - 2 58**



|  |                                |
|--|--------------------------------|
| <b>Series</b> 322  |                                |
| <b>Total Number of Contacts</b>                                    | <b>Contact Rows</b>            |
| 022  | Single Row                     |
| 044  | Dual Row                       |
| <b>Contact Code</b>  |                                |
| See 307/357 Series for Available Contact Options and "G" Dimension |                                |
| <b>Contact Rows and Insulator Material</b>                         | <b>Description</b>             |
| 1  | Single Row, Grey Polycarbonate |
| 2  | Dual Row, Grey Polycarbonate   |

## FEATURES

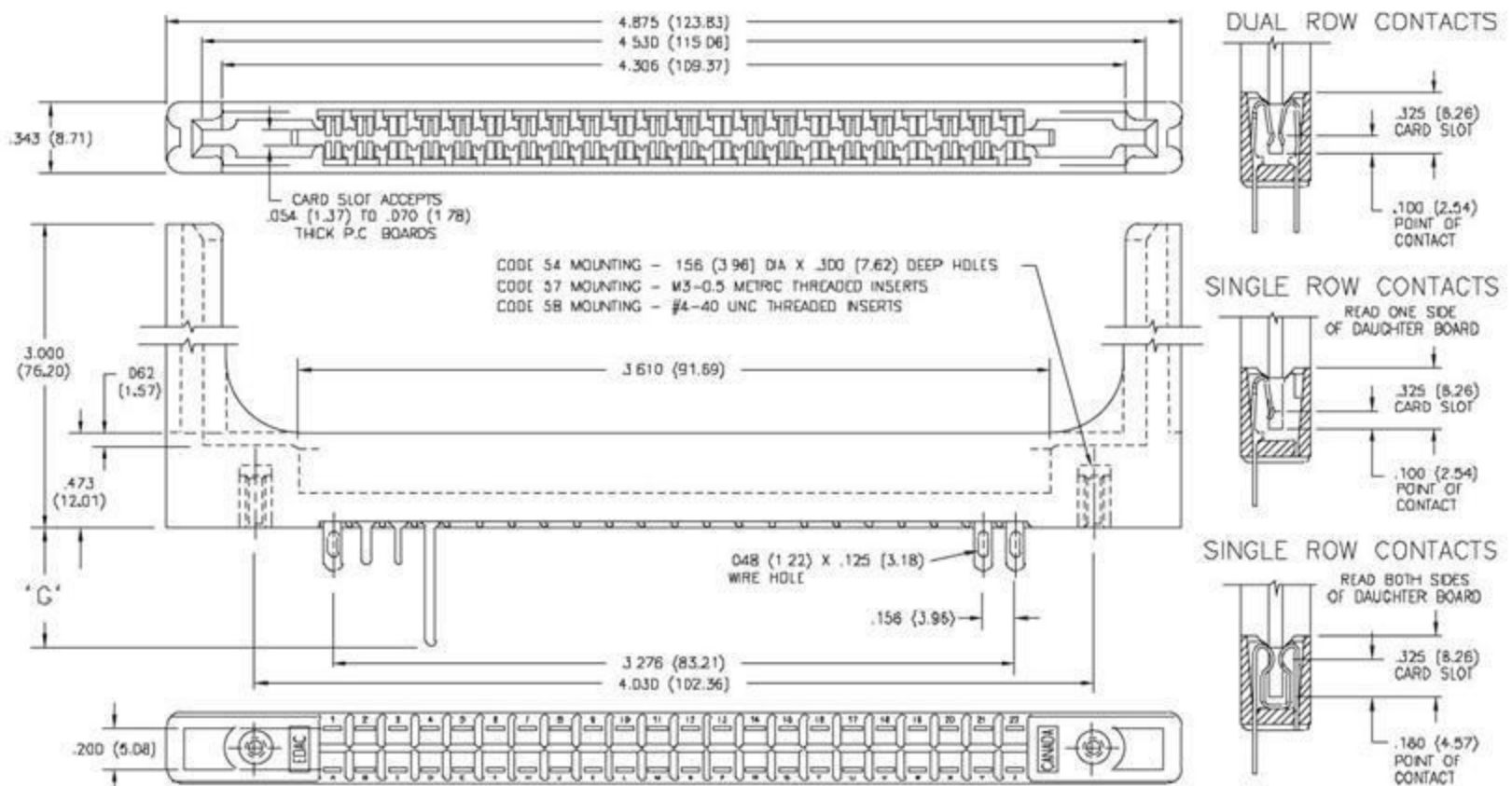
- .156 (3.96) Contact Spacing x .200 (5.08) Row Spacing
- Accepts .062 (1.57) Nominal Thickness P.C. Board
- Low Profile Insulator Body .473 (12.01), with Card Guides
- Contact Termination Options include P.C. Tail, Wire Hole, Wire Wrap, 90 Degree & Extender Board Bends
- Single or Dual Row Configurations
- Accepts Between Contact and In-Contact Polarizing Keys

## SPECIFICATIONS

- ◆ Insulator Material: Polycarbonate, Glass Reinforced
- ◆ Contact Material: Copper, Nickel, Tin Alloy CA-725

|                         |   |
|-------------------------|---|
| <b>Mounting Options</b> | <b>Description</b>                        |
| 54                      | .156 (3.96) Dia. x .300 (7.62) Deep Holes |
| 57                      | M3-0.5 Metric Threaded Inserts            |
| 58                      | #4-40 Unified Threaded Inserts            |

- ◆ Contact Plating: Gold on the Mating Area, Tin on the Contact Tails, Nickel Underplate
- ◆ Current Rating: 5 Amperes Continuous
- ◆ For Additional Specifications, Refer to 307/357 Series.

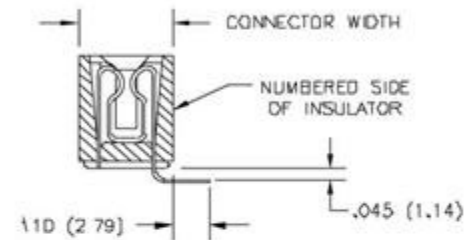


# CONTACT TAIL BENDS - CARD EDGE CONNECTORS

## Standard Bend Details

### CONTACT CODE 553 - 90 DEGREE BEND

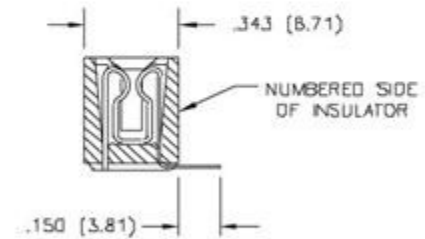
- Applicable for 307, 322 and 357 Series
- For 307 and 357 Series with .500 (12.70) Connector Width, Longer Contacts are Used and Cut to Length Indicated



CONTACT CODE 553

### CONTACT CODE 554 - 90 DEGREE BEND

- Applicable for 307, 322 and 357 Series
- This Bend is Not Recommended for 307 and 357 Series with .500 (12.70) Connector Width

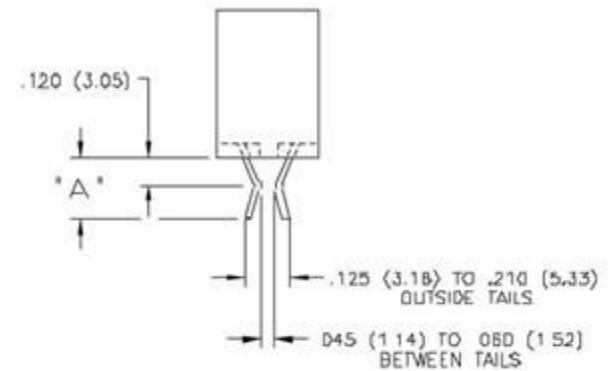


CONTACT CODE 554  
BEND USES WIRE HOLE CONTACTS

### CONTACT CODE 555 - EXTENDER BOARD BEND

| Applicable Series                                   | "A"         |
|---|-------------|
| 305, 307, 310, 315, 322, 355, 357                   | .265 (6.73) |
| 333, 337, 340, 345, 346, 379, 387, 395, 395-AT, 396 | .245 (6.22) |
| 341, 391  | .205 (5.21) |
| 342, 392  | .255 (6.48) |

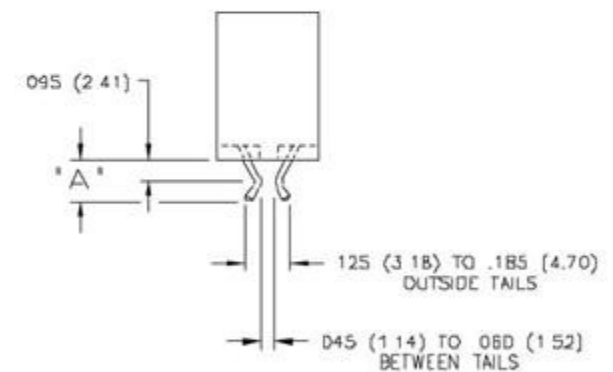
- For Contact Bend to Accept .125 (3.18) Thick Extender Board, Specify Contact Code 552



CONTACT CODE 555  
BEND USES WIRE HOLE CONTACTS

### CONTACT CODE 556 - EXTENDER BOARD BEND

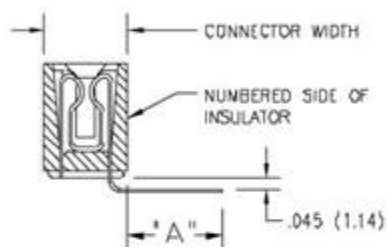
| Applicable Series                                   | "A"         |
|---|-------------|
| 305, 307, 310, 315, 322, 355, 357                   | .195 (4.95) |
| 333, 337, 340, 345, 346, 379, 387, 395, 395-AT, 396 | .170 (4.32) |
| 341, 391  | .235 (5.97) |
| 342, 392  | .180 (4.57) |



CONTACT CODE 556

# CARD EDGE CONNECTORS - CONTACT TAIL BENDS

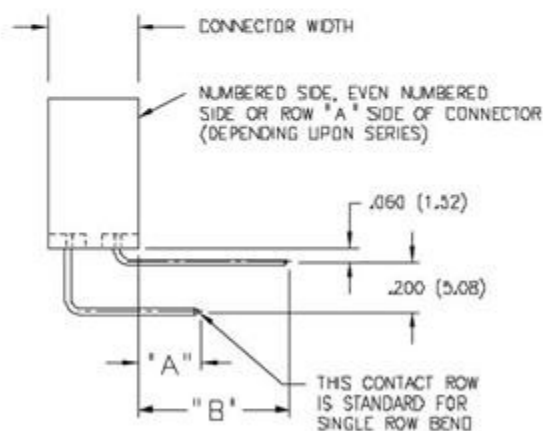
Standard Bend Details



CONTACT CODE 557

## CONTACT CODE 557 - 90 DEGREE BEND

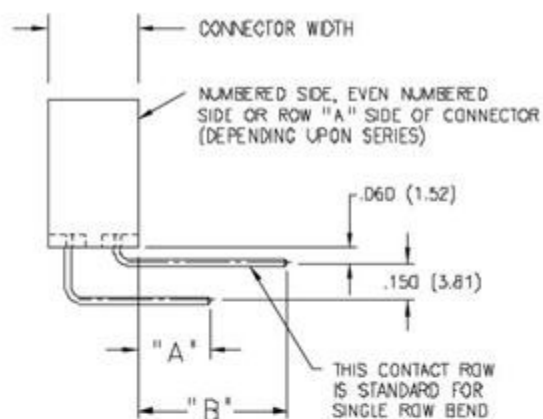
| Applicable Series | Connector Width | "A"         |
|-------------------|-----------------|-------------|
| 307, 322, 357     | .343 (8.71)     | .392 (9.96) |
| 305, 357          | .500 (12.70)    | .314 (7.98) |



CONTACT CODE 558

## CONTACT CODE 558 - 90 DEGREE BEND

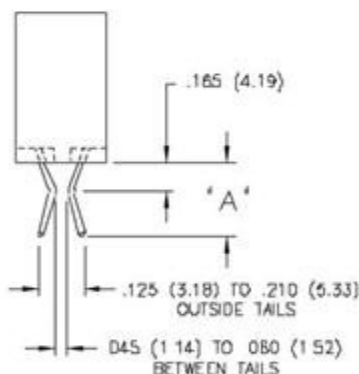
| Applicable Series                    | Connector Width | "A"         | "B"          |
|--------------------------------------|-----------------|-------------|--------------|
| 307, 322, 357                        | .343 (8.71)     | .240 (6.10) | .240 (6.10)  |
| 307, 357                             | .500 (12.70)    | .162 (4.11) | .162 (4.11)  |
| 333, 337, 340, 345, 387, 395, 395-AT | .370 (9.40)     | .235 (5.97) | .635 (16.13) |
| 342, 392                             | .370 (9.40)     | .245 (6.22) | .645 (16.38) |
| 346, 396                             | .370 (9.40)     | .210 (5.33) | .660 (16.76) |



CONTACT CODE 559

## CONTACT CODE 559 - 90 DEGREE BEND

| Applicable Series                    | Connector Width | "A"         | "B"          |
|--------------------------------------|-----------------|-------------|--------------|
| 307, 322, 357                        | .343 (8.71)     | .290 (7.37) | .240 (6.10)  |
| 307, 357                             | .500 (12.70)    | .212 (5.38) | .162 (4.11)  |
| 333, 337, 340, 345, 387, 395, 395-AT | .370 (9.40)     | .285 (7.24) | .635 (16.13) |
| 342, 392                             | .370 (9.40)     | .295 (7.49) | .645 (16.38) |
| 346, 396                             | .370 (9.40)     | .260 (6.60) | .660 (16.76) |



CONTACT CODE 560

## CONTACT CODE 560 - EXTENDER BOARD BEND

| Applicable Series                         | "A"         |
|---|-------------|
| 307, 310, 322, 357                        | .343 (8.71) |
| 333, 337, 340, 345, 379, 387, 395, 395-AT | .375 (9.53) |
| 341, 391                                  | .365 (9.27) |
| 342, 392                                  | .385 (9.78) |
| 346, 396                                  | .335 (8.51) |