

NEMA line outlet 5-15R, snap-in mounting, front side, solder terminal



Snap-In Version



Description

- Panel Mount:
Snap-in, Front-Side
- 1 Function:
Line Outlet, Protection class I
- Solder terminals
- Alternative: protection class II version [0715](#)

Approvals

- UL License Number: E132269
- CSA License Number: 73690

Characteristics

- Designed for standard applications
- Qualified for use in equipment according IEC/EN 60950

Weblinks

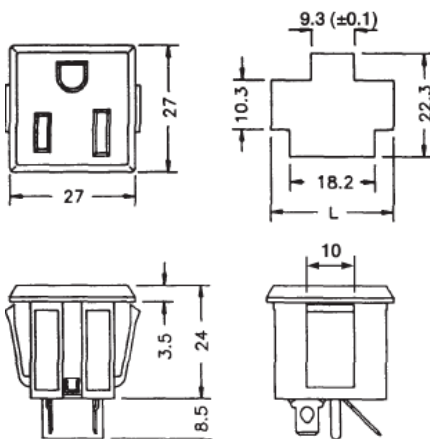
[Approvals](#), [RoHS](#), [CHINA-RoHS](#), [e-Store](#), [SCHURTER-Stock-Check](#), [Distributor-Stock-Check](#)

Technical Data

Ratings IEC	15 A / 250 VAC; Hz
Ratings UL/CSA	15 A / 125 VAC; 60 Hz
Allowable Operation Temp.	-25 °C to +60 °C
Degree of Protection	from front side IP 20 acc. to IEC 60529
Protection Class	Suitable for appliances with protection class I acc. to IEC 61140
Terminal	Solder terminals
Panel Thickness s	Snap-in 0.8 mm to 1.6 mm
Material: Housing	Thermoplastic, black

Dimensions

Length |-----| 27 mm



Panel thickness	L
0.8 mm	24.0 mm
1.0 mm	24.6 mm
1.2 mm	25.2 mm
1.6 mm	26.2 mm

Variants

[Distributor-Stock-Check](#) | [SCHURTER-Stock-Check](#) | [e-Store](#)

Type	Protection Class	Panel mounting	Panel Thickness s [mm]	Terminal	Order Number
0709	I	Snap-in	0.8 -	Solder	4300.0701

Packaging unit

50 Pcs
