

IEC cord connector C13, rewirable, angled



4785

C13



70 °C

**Description**

- Rewireable plug:  
Screw-on
- Outlet, Pin temperature 70 °C, Protection class I
- Cable
- Substitute for type [P587.SE](#)

**Approvals**

- VDE License Number: 40010732
- UL License Number: E96454
- CSA License Number: 56242

**Weblinks**

[Approvals](#), [RoHS](#), [CHINA-RoHS](#), [e-Store](#), [SCHURTER-Stock-Check](#), [Distributor-Stock-Check](#)

**Technical Data**

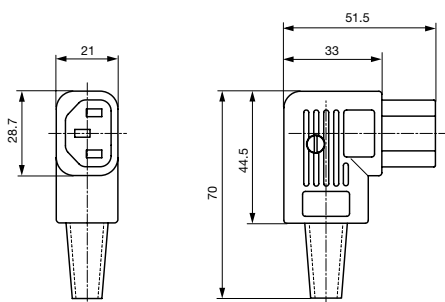
Ratings IEC	10A / 250VAC; 50Hz
Ratings UL/CSA	15A / 250VAC; 60Hz
Dielectric Strength	> 2kVAC between L-N > 2kVAC between L/N-PE (1 min/50Hz)
Allowable Operation Temp.	-25 °C to 70 °C
Protection Class	Suitable for appliances with protection class I acc. to IEC 61140
Terminal	Cable
Material: Housing	Thermoplastic, black, UL 94V-0

Appliance-Inlet/-Outlet	C13 acc. to IEC/EN 60320-1, UL 498, CSA C22.2 no. 42 (for cold conditions) pin-temperature 70 °C, 10A, Protection class I
-------------------------	--

**Dimensions**

4785

Length |-----| 70 mm

**Variants**
[Distributor-Stock-Check](#) | [SCHURTER-Stock-Check](#) | [e-Store](#)

Color	Max. cable diameter	Max. wire size	Order Number
black	8.5 mm	3 x 1 mm <sup>2</sup> / 3 x 18 AWG	4785.0000
black	10.0 mm	3 x 2.1 mm <sup>2</sup> / 3 x 14 AWG	4785.0100

Max. torque for screws: Terminal: 0.5 Nm, Cable clamp: 0.3 Nm, Cover: 0.3 Nm

Cord retaining clamp see accessories

**Packaging unit**

100 Pcs