

IEC cord connector C19, rewirable, angled

new



4790

C19



70 °C

**Description**

- Rewireable connector for cable 90° entry:
Screwing cable terminal,
- Outlet, Pin temperature 70 °C, Protection class I
- Screw Clamp

Approvals

- VDE License Number: 40009206
- CSA License Number: 205419

Characteristics

- Qualified for use in equipment according IEC/EN 60950

Weblinks

[Approvals](#), [RoHS](#), [CHINA-RoHS](#), [e-Store](#), [SCHURTER-Stock-Check](#), [Distributor-Stock-Check](#)

Technical Data

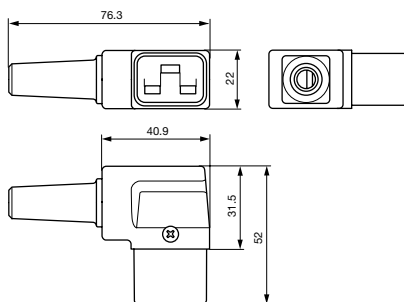
Ratings IEC	16A / 250VAC; 50Hz
Ratings UL/CSA	21A / 250VAC; 60Hz
Dielectric Strength	> 2 kVAC between L-N > 2 kVAC between L/N-PE (1 min/50Hz)
Allowable Operation Temp.	-25 °C to 70 °C
Protection Class	Suitable for appliances with protection class I acc. to IEC 61140
Terminal	Screw
Material: Housing	Thermoplastic, black, UL 94V-0

Appliance-Inlet/-Outlet	C19 acc. to IEC/EN 60320-1, UL 498, CSA C22.2 no. 42 (for cold conditions) pin-temperature 70 °C, 16A, Protection class I
-------------------------	--

Dimensions

4790

Length |-----| 76 mm

**Variants**
[Distributor-Stock-Check](#) | [SCHURTER-Stock-Check](#) | [e-Store](#)

Color	Max. cable diameter	Max. wire size	Order Number
black	8.7 mm	3 x 1.5 mm ² / 3 x 16 AWG	4790.1100
black	10.0 mm	3 x 2.1 mm ² / 3 x 14 AWG	4790.1200

Max. torque for screws: Terminal: 0.5 Nm, Cable clamp: 0.3 Nm, Cover: 0.3 Nm

Packaging unit

100 Pcs